

WHELEN[®] ENGINEERING COMPANY INC.

51 Winthrop Road,
Chester, Connecticut 06412-0684
Phone: (860) 526-9504
Fax: (860) 526-4078

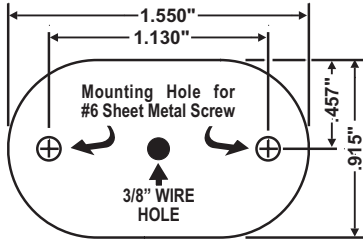
Installation Guide: LED Clearance/Warning Light (24V)

Internet: www.whelen.com
Sales e-mail: autosale@whelen.com
Canadian Sales e-mail: autocan@whelen.com
Customer Service e-mail: custserv@whelen.com

WARNING! All customer supplied wires that connect to the positive terminal of the battery must be sized to supply at least 125% of the maximum operating current and FUSED at the battery to carry the load. DO NOT USE CIRCUIT BREAKERS WITH THIS PRODUCT!

Permanent mounting of this product will require drilling. It is absolutely necessary to make sure that no other vehicle components could be damaged by this process. Check both sides of the mounting surface before starting. If damage is likely, select a different mounting location.

1. Place the flange onto the mounting surface and mark off the location for the two mounting screws. Also mark off the wire access hole location between the two screw holes. NOTE: There is an optional wire exit hole on the bottom of the flange if you prefer the wires to exit the bottom of the lighthouse. Be sure the installation will not interfere with anything behind the mounting surface.



IMPORTANT WARNING!
CAUTION! DO NOT LOOK DIRECTLY AT THESE LEDS WHILE THEY ARE ON. MOMENTARY BLINDNESS AND/OR EYE DAMAGE COULD RESULT!

2. Drill two pilot holes for the two #6 x 3/8" sheet metal mounting screws and a 3/8" wire access hole. Be sure to thoroughly deburr this hole.
3. Feed the wires through the gasket and wire access hole and mount the lighthouse with supplied mounting screws. NOTE: Make sure Whelen logo on lens is oriented correctly after mounting.
4. Extend the wires to your power source and fuse the positive wire @ 1 Amp then test the lighthouse.

IMPORTANT! Before returning this vehicle to active service, visually confirm proper operation of this product, as well as all vehicle components/equipment.

STEADY

Colored Wire: +24VDC
Grey Wire: Ground

Specifications

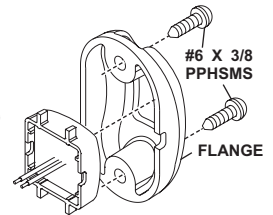
Input Voltage: 25.6 VDC
Input Current: 11mA (TYP)

FLASHER

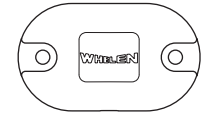
Colored Wire: +24VDC
Grey Wire: Ground

Specifications

Input Voltage: 25.6 VDC
Input Current
PEAK: 35 mA (TYP)
Average: 22mA (TYP)
Flash Rate: 150 FPM



CORRECT ORIENTATION



©2008 Whelen Engineering Company Inc.
Form No. 14239A (071009)

For warranty information regarding this product, visit www.whelen.com/warranty

WHELEN[®] ENGINEERING COMPANY INC.

51 Winthrop Road,
Chester, Connecticut 06412-0684
Phone: (860) 526-9504
Fax: (860) 526-4078

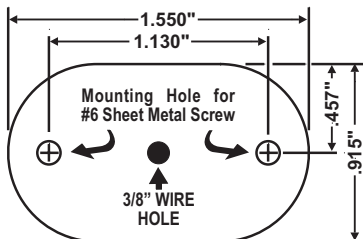
Installation Guide: LED Clearance/Warning Light (24V)

Internet: www.whelen.com
Sales e-mail: autosale@whelen.com
Canadian Sales e-mail: autocan@whelen.com
Customer Service e-mail: custserv@whelen.com

WARNING! All customer supplied wires that connect to the positive terminal of the battery must be sized to supply at least 125% of the maximum operating current and FUSED at the battery to carry the load. DO NOT USE CIRCUIT BREAKERS WITH THIS PRODUCT!

Permanent mounting of this product will require drilling. It is absolutely necessary to make sure that no other vehicle components could be damaged by this process. Check both sides of the mounting surface before starting. If damage is likely, select a different mounting location.

1. Place the flange onto the mounting surface and mark off the location for the two mounting screws. Also mark off the wire access hole location between the two screw holes. NOTE: There is an optional wire exit hole on the bottom of the flange if you prefer the wires to exit the bottom of the lighthouse. Be sure the installation will not interfere with anything behind the mounting surface.



IMPORTANT WARNING!
CAUTION! DO NOT LOOK DIRECTLY AT THESE LEDS WHILE THEY ARE ON. MOMENTARY BLINDNESS AND/OR EYE DAMAGE COULD RESULT!

2. Drill two pilot holes for the two #6 x 3/8" sheet metal mounting screws and a 3/8" wire access hole. Be sure to thoroughly deburr this hole.
3. Feed the wires through the gasket and wire access hole and mount the lighthouse with supplied mounting screws. NOTE: Make sure Whelen logo on lens is oriented correctly after mounting.
4. Extend the wires to your power source and fuse the positive wire @ 1 Amp then test the lighthouse.

IMPORTANT! Before returning this vehicle to active service, visually confirm proper operation of this product, as well as all vehicle components/equipment.

STEADY

Colored Wire: +24VDC
Grey Wire: Ground

Specifications

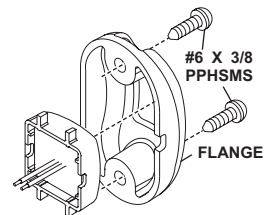
Input Voltage: 25.6 VDC
Input Current: 11mA (TYP)

FLASHER

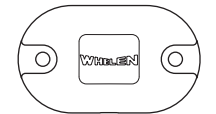
Colored Wire: +24VDC
Grey Wire: Ground

Specifications

Input Voltage: 25.6 VDC
Input Current
PEAK: 35 mA (TYP)
Average: 22mA (TYP)
Flash Rate: 150 FPM

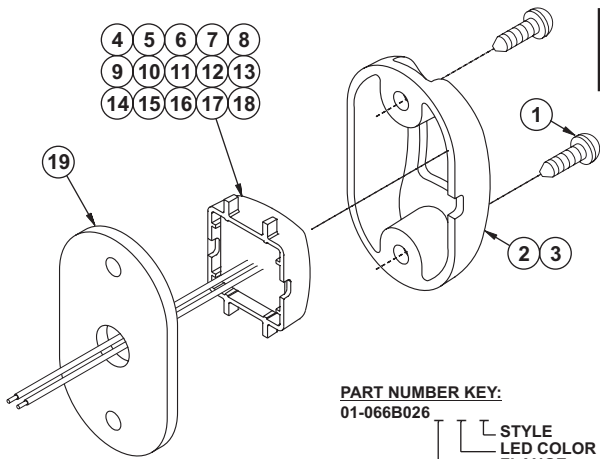


CORRECT ORIENTATION

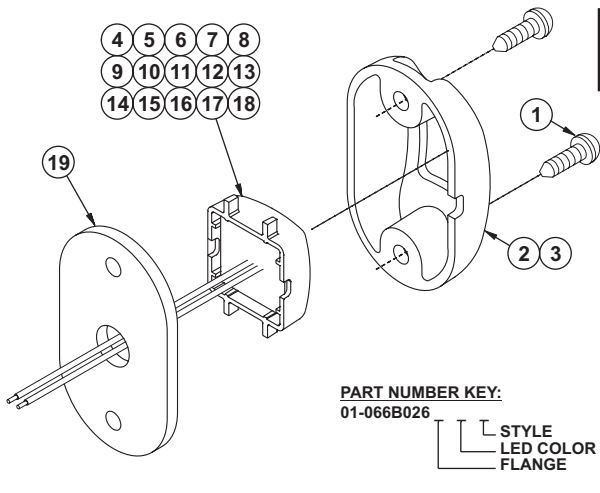


©2008 Whelen Engineering Company Inc.
Form No. 14239A (071009)

For warranty information regarding this product, visit www.whelen.com/warranty



QTY	QTY	QTY	QTY	ITEM	PART NUMBER	DESCRIPTION
		*			01-066B026()0	FINAL ASSEMBLY 4 LED STEADY 24V
		*			01-066B026()1	FINAL ASSEMBLY 4 LED FLASHER 24V
	*				01-066B026()2	FINAL ASSEMBLY 1 LED STEADY 24V
	*				01-066B026()3	FINAL ASSEMBLY 4 LED STEADY 24V 30°
2	2	2	2	1		SCREW, #6 X 3/8 PPHSMS 410 SS TYPE A
A/R	A/R	A/R	A/R	2	11-764975-000	FLANGE, COURTESY LIGHT BLACK
A/R	A/R	A/R	A/R	3	11-764975-003	FLANGE, COURTESY LIGHT CHROME
-	-	-	A/R	4	01-026B026-10	ASSY, 4 LED AMBER STEADY
-	-	-	A/R	5	01-026B026-20	ASSY, 4 LED BLUE STEADY
-	-	-	A/R	6	01-026B026-30	ASSY, 4 LED WHITE STEADY
-	-	-	A/R	7	01-026B026-40	ASSY, 4 LED GREEN STEADY
-	-	-	A/R	8	01-026B026-50	ASSY, 4 LED RED STEADY
-	-	A/R	-	9	01-026B026-11	ASSY, 4 LED AMBER FLASHER
-	-	A/R	-	10	01-026B026-21	ASSY, 4 LED BLUE FLASHER
-	-	A/R	-	11	01-026B026-31	ASSY, 4 LED WHITE FLASHER
-	-	A/R	-	12	01-026B026-41	ASSY, 4 LED GREEN FLASHER
-	-	A/R	-	13	01-026B026-51	ASSY, 4 LED RED FLASHER
-	A/R	-	-	14	01-026A086-32	ASSY, 1 LED WHITE STEADY
A/R	-	-	-	15	01-026B026-13	ASSY, 4 LED AMBER STEADY, 30 DEG
A/R	-	-	-	16	01-026B026-23	ASSY, 4 LED BLUE STEADY, 30 DEG
A/R	-	-	-	17	01-026B026-43	ASSY, 4 LED GREEN STEADY, 30 DEG
A/R	-	-	-	18	01-026B026-53	ASSY, 4 LED RED STEADY, 30 DEG
1	1	1	1	19	38-0243474-00	GASKET, COURTESY LIGHT



QTY	QTY	QTY	QTY	ITEM	PART NUMBER	DESCRIPTION
		*			01-066B026()0	FINAL ASSEMBLY 4 LED STEADY 24V
		*			01-066B026()1	FINAL ASSEMBLY 4 LED FLASHER 24V
	*				01-066B026()2	FINAL ASSEMBLY 1 LED STEADY 24V
	*				01-066B026()3	FINAL ASSEMBLY 4 LED STEADY 24V 30°
2	2	2	2	1		SCREW, #6 X 3/8 PPHSMS 410 SS TYPE A
A/R	A/R	A/R	A/R	2	11-764975-000	FLANGE, COURTESY LIGHT BLACK
A/R	A/R	A/R	A/R	3	11-764975-003	FLANGE, COURTESY LIGHT CHROME
-	-	-	A/R	4	01-026B026-10	ASSY, 4 LED AMBER STEADY
-	-	-	A/R	5	01-026B026-20	ASSY, 4 LED BLUE STEADY
-	-	-	A/R	6	01-026B026-30	ASSY, 4 LED WHITE STEADY
-	-	-	A/R	7	01-026B026-40	ASSY, 4 LED GREEN STEADY
-	-	-	A/R	8	01-026B026-50	ASSY, 4 LED RED STEADY
-	-	A/R	-	9	01-026B026-11	ASSY, 4 LED AMBER FLASHER
-	-	A/R	-	10	01-026B026-21	ASSY, 4 LED BLUE FLASHER
-	-	A/R	-	11	01-026B026-31	ASSY, 4 LED WHITE FLASHER
-	-	A/R	-	12	01-026B026-41	ASSY, 4 LED GREEN FLASHER
-	-	A/R	-	13	01-026B026-51	ASSY, 4 LED RED FLASHER
-	A/R	-	-	14	01-026A086-32	ASSY, 1 LED WHITE STEADY
A/R	-	-	-	15	01-026B026-13	ASSY, 4 LED AMBER STEADY, 30 DEG
A/R	-	-	-	16	01-026B026-23	ASSY, 4 LED BLUE STEADY, 30 DEG
A/R	-	-	-	17	01-026B026-43	ASSY, 4 LED GREEN STEADY, 30 DEG
A/R	-	-	-	18	01-026B026-53	ASSY, 4 LED RED STEADY, 30 DEG
1	1	1	1	19	38-0243474-00	GASKET, COURTESY LIGHT