

WHELEN[®]

ENGINEERING COMPANY INC.

51 Winthrop Road
Chester, Connecticut 06412-0684
Phone: (860) 526-9504
Fax: (860) 526-4078
Internet: www.whelen.com
Sales e-mail: autosale@whelen.com
Canadian Sales e-mail: canadiansales@whelen.com
Customer Service e-mail: custserv@whelen.com

Installation Guide: M4 Series LED Lighthead 2- & 5-Wire (24 Volt)

Warnings to Installers

Whelen's emergency vehicle warning devices must be properly mounted and wired in order to be effective and safe. Read and follow all of Whelen's written instructions when installing or using this device. Emergency vehicles are often operated under high speed stressful conditions which must be accounted for when installing all emergency warning devices. Controls should be placed within convenient reach of the operator so that they can operate the system without taking their eyes off the roadway. Emergency warning devices can require high electrical voltages and/or currents. Properly protect and use caution around live electrical connections. Grounding or shorting of electrical connections can cause high current arcing, which can cause personal injury and/or vehicle damage, including fire. Many electronic devices used in emergency vehicles can create or be affected by electromagnetic interference. Therefore, after installation of any electronic device it is necessary to test all electronic equipment simultaneously to insure that they operate free of interference from other components within the vehicle. Never power emergency warning equipment from the same circuit or share the same grounding circuit with radio communication equipment. All devices should be mounted in accordance with the manufacturer's instructions and securely fastened to vehicle elements of sufficient strength to withstand the forces applied to the device. Driver and/or passenger air bags (SRS) will affect the way equipment should be mounted. This device should be mounted by permanent installation and within the zones specified by the vehicle manufacturer, if any. Any device mounted in the deployment area of an air bag will damage or reduce the effectiveness of the air bag and may damage or dislodge the device. Installer must be sure that this device, its mounting hardware and electrical supply wiring does not interfere with the air bag or the SRS wiring or sensors. Mounting the unit inside the vehicle by a method other than permanent installation is not recommended as unit may become dislodged during swerving; sudden braking or collision. Failure to follow instructions can result in personal injury. Whelen assumes no liability for any loss resulting from the use of this warning device. **PROPER INSTALLATION COMBINED WITH OPERATOR TRAINING IN THE PROPER USE OF EMERGENCY WARNING DEVICES IS ESSENTIAL TO INSURE THE SAFETY OF EMERGENCY PERSONNEL AND THE PUBLIC.**

Warnings to Users

Whelen's emergency vehicle warning devices are intended to alert other operators and pedestrians to the presence and operation of emergency vehicles and personnel. However, the use of this or any other Whelen emergency warning device does not guarantee that you will have the right-of-way or that other drivers and pedestrians will properly heed an emergency warning signal. Never assume you have the right-of-way. It is your responsibility to proceed safely before entering an intersection, driving against traffic, responding at a high rate of speed, or walking on or around traffic lanes. Emergency vehicle warning devices should be tested on a daily basis to ensure that they operate properly. When in actual use, the operator must ensure that both visual and audible warnings are not blocked by vehicle components (i.e.: open trunks or compartment doors), people, vehicles, or other obstructions. It is the user's responsibility to understand and obey all laws regarding emergency warning devices. The user should be familiar with all applicable laws and regulations prior to the use of any emergency vehicle warning device. Whelen's audible warning devices are designed to project sound in a forward direction away from the vehicle occupants. However, because sustained periodic exposure to loud sounds can cause hearing loss, all audible warning devices should be installed and operated in accordance with the standards established by the National Fire Protection Association.

Safety First

This document provides all the necessary information to allow your Whelen product to be properly and safely installed. Before beginning the installation and/or operation of your new product, the installation technician and operator must read this manual completely. Important information is contained herein that could prevent serious injury or damage.

- **Proper installation of this product requires the installer to have a good understanding of automotive electronics, systems and procedures.**
- **Whelen Engineering requires the use of waterproof butt splices and/or connectors if that connector could be exposed to moisture.**
- **Failure to use specified installation parts and/or hardware will void the product warranty.**
- **If mounting this product requires drilling holes, the installer MUST be sure that no vehicle components or other vital parts could be damaged by the drilling process. Check both sides of the mounting surface before drilling begins. Also de-burr the holes and remove any metal shards or remnants. Install grommets into all wire passage holes.**
- **If this manual states that this product may be mounted with suction cups, magnets, tape or Velcro®, clean the mounting surface with a 50/50 mix of isopropyl alcohol and water and dry thoroughly.**
- **Do not install this product or route any wires in the deployment area of your air bag. Equipment mounted or located in the air bag deployment area will damage or reduce the effectiveness of the air bag, or become a projectile that could cause serious personal injury or death. Refer to your vehicle owner's manual for the air bag deployment area. The User/Installer assumes full responsibility to determine proper mounting location, based on providing ultimate safety to all passengers inside the vehicle.**
- **For this product to operate at optimum efficiency, a good electrical connection to chassis ground must be made. The recommended procedure requires the product ground wire to be connected directly to the NEGATIVE (-) battery post (this does not include products that use cigar power cords).**
- **If this product uses a remote device for activation or control, make sure that this device is located in an area that allows both the vehicle and the device to be operated safely in any driving condition.**
- **Do not attempt to activate or control this device in a hazardous driving situation.**
- **This product contains either strobe light(s), halogen light(s), high-intensity LEDs or a combination of these lights. Do not stare directly into these lights. Momentary blindness and/or eye damage could result.**
- **Use only soap and water to clean the outer lens. Use of other chemicals could result in premature lens cracking (crazing) and discoloration. Lenses in this condition have significantly reduced effectiveness and should be replaced immediately. Inspect and operate this product regularly to confirm its proper operation and mounting condition. Do not use a pressure washer to clean this product.**
- **It is recommended that these instructions be stored in a safe place and referred to when performing maintenance and/or reinstallation of this product.**
- **FAILURE TO FOLLOW THESE SAFETY PRECAUTIONS AND INSTRUCTIONS COULD RESULT IN DAMAGE TO THE PRODUCT OR VEHICLE AND/OR SERIOUS INJURY TO YOU AND YOUR PASSENGERS!**

Installation and Wiring:

External Flasher Models: This product draws significantly less current than a standard incandescent automotive bulb. If your flasher does not operate properly, it may be necessary to replace your flasher module with a Whelen® flasher module. Contact your sales representative for application.

Caution: Permanent mounting of this product will require drilling. It is absolutely necessary to make sure that no other vehicle components could be damaged by this process. Check both sides of the mounting surface before starting. If damage is likely, select a different location.

WARNING! All customer supplied wires that connect to the positive terminal of the battery must be sized to supply at least 125% of the maximum operating current and FUSED at the battery to carry that load. DO NOT USE CIRCUIT BREAKERS WITH THIS PRODUCT!

NOTE: The color of the Positive Wire is determined by the color of the LED. In this manual, RED is used as a reference color.

- Using the dimensions below, mark the mounting and wire hole locations onto the proposed mounting surface. Drill two, .250" diameter mounting holes and a .625" (minimum) wire access hole into the mounting surface.
- Place the gasket into position on the rear of the M4 assembly. Insert the slotted hole screw grommet through the mounting holes on the M4/Gasket assembly. Feed the M4 wires through the wire access hole in the mounting surface. Press the M4/Gasket/Grommet assembly onto its mounting location so that it is flat against the mounting surface.
- With the assembly in position and using the hardware provided, tighten the mounting screws until the lighthouse assembly is drawn firmly against the mounting surface. DO NOT OVERTIGHTEN!
- Using appropriately sized wires (minimum 18 AWG), extend the M4 wires to their designated connections. Refer to the diagram below for wiring and fusing information.

Operation:

Flash Mode / RED:

Apply +VBAT to the RED wire to activate the lighthouse in "flash mode". With flash mode activated, you may change the flash pattern using Scan-Lock™.

Low Power / VIOLET:

The type of switch used depends on how the operator wishes the Low Power feature to function: Latching Mode: By applying +VBAT to the VIO wire for less than 1 sec., the lighthouse is "latched" into low power. The unit must be turned off and then back on to restore normal operation. (momentary switch) Level Mode: Applying +VBAT to the VIO wire for more than 1 sec. holds the lighthouse in low power mode until voltage is removed. (toggle switch)

SYNC / GREY

To SYNC two lighthouses, configure both lighthouses to display the same Phase 1 (Simultaneous) pattern. Turn the power off and connect the GREY wire from each lighthouse together. When the lighthouses are activated their patterns will be synchronized. To configure two lighthouses to alternate their patterns, advance the pattern of either lighthouse to Phase 2 (Alternating) of the current pattern.

Scan-Lock™ / WHT/VIO / Flash Pattern Selection:

This feature allows the user to select from several available flash patterns. The lighthouse must be on for Scan-Lock™ to work.

TO CYCLE THROUGH ALL PATTERNS: Apply +VBAT to the WHT/VIO wire for less than 1 second and release. To cycle backward through patterns apply +VBAT to the WHT/VIO wire for over 1 second and release.

TO SET A PATTERN AS DEFAULT: Allow the pattern to run for more than 5 seconds. The lighthouse will flicker slightly when the pattern locks in. This flicker may be difficult to see with some patterns. The lighthouse will now display this pattern when activated.

TO RESET TO THE FACTORY DEFAULT PATTERN: Turn off power. While applying +VBAT to the WHT/VIO wire, turn power on. This will reset the lighthouse to its factory default flash pattern.

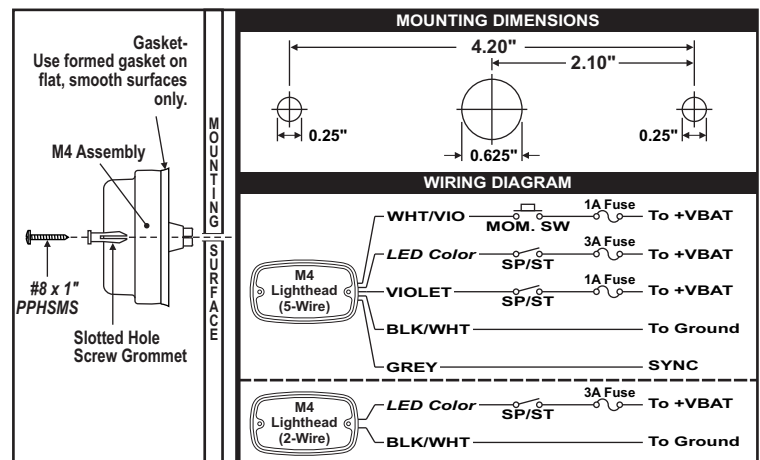
IMPORTANT! It is the responsibility of the installation technician to make sure that the installation and operation of this product will not interfere with or compromise the operation or efficiency of any vehicle equipment!

#	Pattern	Phase	SYNC?	CA Title XIII?
1	SignalAlert™ CAL	PH.1	YES	YES
2	SignalAlert™ CAL	PH.2	YES	YES
3	CometFlash®75	PH.1	YES	NO
4	CometFlash® 75	PH.2	YES	NO
5	DoubleFlash 75	PH.1	YES	YES
6	DoubleFlash 75	PH.2	YES	YES
7	SingleFlash 75	PH.1	YES	YES
8	SingleFlash 75	PH.2	YES	YES
9	ComAlert™ 75	PH.1	YES	NO
10	ComAlert™ 75	PH.2	YES	NO
11	LongBurst™ 75	PH.1	YES	NO
12	LongBurst™ 75	PH.2	YES	NO
13	SingleFlash 60	PH.1	NO	YES
14	SingleFlash 90	PH.1	NO	YES
15	SingleFlash 120	PH.1	NO	YES
16	SingleFlash 300	PH.1	NO	YES
17	DoubleFlash 150	PH.1	NO	NO
18	ComAlert™ 150	PH.1	NO	NO
19	ActionFlash™50	PH.1	NO	NO
20	ActionFlash™ 150	PH.1	NO	NO
21	ModuFlash™	PH.1	NO	NO
22	DoubleFlash 120	PH.1	NO	YES
23	TripleFlash™75	PH.1	NO	YES
24	TripleFlash™120	PH.1	NO	YES
25	Action SF 60/120	PH.1	NO	YES
26	Action SF 120/TF75	PH.1	NO	YES
27	CalScan™	PH.1	NO	YES
28	ActionScan™	PH.1	NO	NO
*29	SignalAlert™ Steady	PH.1	NO	NO
*30	Steady	PH.1	NO	YES

*No low power for this pattern

IMPORTANT WARNING!

CAUTION! DO NOT LOOK DIRECTLY AT THESE LEDS WHILE THEY ARE ON. MOMENTARY BLINDNESS AND/OR EYE DAMAGE COULD RESULT!



Waterproof butt splices and/or connectors are required if that connection could be exposed to moisture. Any unused wires must be sealed (waterproofed) to prevent moisture infiltration.