

## WHELEN<sup>®</sup> ENGINEERING COMPANY INC.

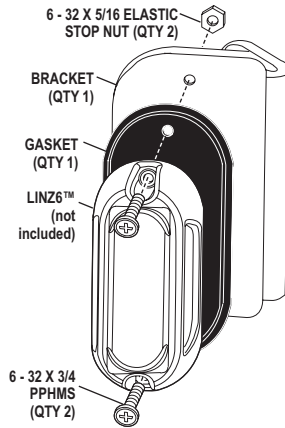
51 Winthrop Road,  
Chester, Connecticut 06412-0684  
Phone: (860) 526-9504  
Fax: (860) 526-4078

### Installation Guide: LINZ6™ Mounting Bracket Model L6BKT3 for Police Push-Bumper

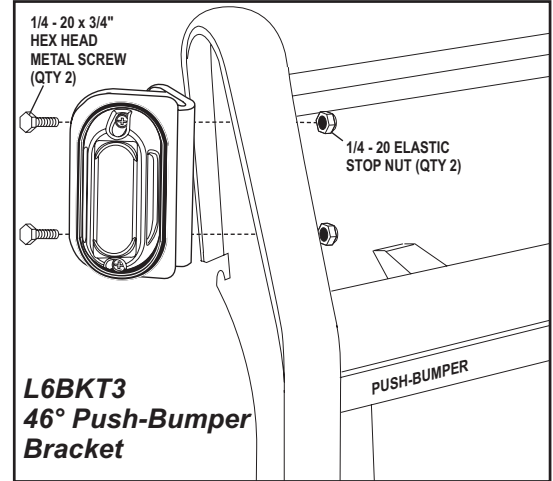
Internet: [www.whelen.com](http://www.whelen.com)  
Sales e-mail: [autosale@whelen.com](mailto:autosale@whelen.com)  
Canadian Sales e-mail: [autocan@whelen.com](mailto:autocan@whelen.com)  
Customer Service e-mail: [custserv@whelen.com](mailto:custserv@whelen.com)

#### Installation and Wiring:

1. Secure the lighthead (with gasket) to the mounting bracket.
2. Using the bracket as a template, mark the 2 mounting hole locations onto the mounting surface.
3. Drill two 9/32" diameter mounting holes into the mounting surface (in the locations marked off in step 2) and secure the bracket with the supplied 1/4 - 20 X 3/4" Hex Head Metal Screws.
4. Extend the lighthead wires to their connections and refer to the lighthead manual for fusing and operation.



**IMPORTANT!** Before returning the vehicle to active service, visually confirm the proper operation of this product, as well as all vehicle components/equipment



©2009 Whelen Engineering Company Inc.  
Form No.14299 (051209)

For warranty information regarding this product, visit [www.whelen.com/warranty](http://www.whelen.com/warranty)

## WHELEN<sup>®</sup> ENGINEERING COMPANY INC.

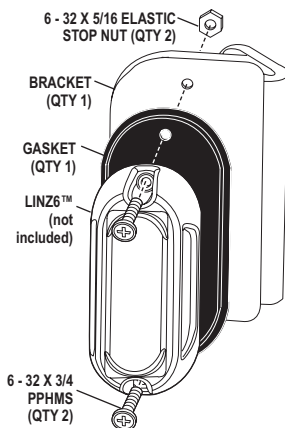
51 Winthrop Road,  
Chester, Connecticut 06412-0684  
Phone: (860) 526-9504  
Fax: (860) 526-4078

### Installation Guide: LINZ6™ Mounting Bracket Model L6BKT3 for Police Push-Bumper

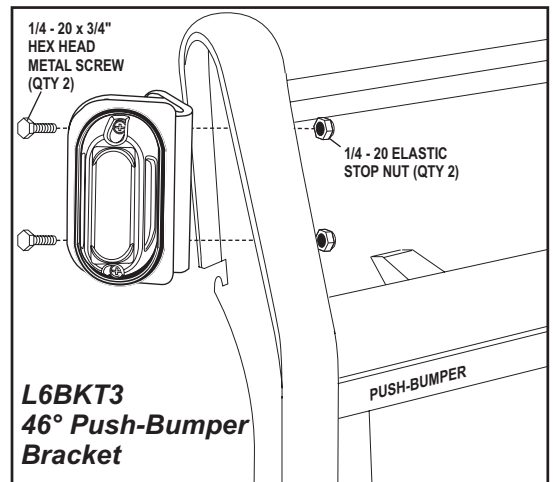
Internet: [www.whelen.com](http://www.whelen.com)  
Sales e-mail: [autosale@whelen.com](mailto:autosale@whelen.com)  
Canadian Sales e-mail: [autocan@whelen.com](mailto:autocan@whelen.com)  
Customer Service e-mail: [custserv@whelen.com](mailto:custserv@whelen.com)

#### Installation and Wiring:

1. Secure the lighthead (with gasket) to the mounting bracket.
2. Using the bracket as a template, mark the 2 mounting hole locations onto the mounting surface.
3. Drill two 9/32" diameter mounting holes into the mounting surface (in the locations marked off in step 2) and secure the bracket with the supplied 1/4 - 20 X 3/4" Hex Head Metal Screws.
4. Extend the lighthead wires to their connections and refer to the lighthead manual for fusing and operation.



**IMPORTANT!** Before returning the vehicle to active service, visually confirm the proper operation of this product, as well as all vehicle components/equipment



©2009 Whelen Engineering Company Inc.  
Form No.14299 (051209)

For warranty information regarding this product, visit [www.whelen.com/warranty](http://www.whelen.com/warranty)