

WHELEN[®]

ENGINEERING COMPANY INC.

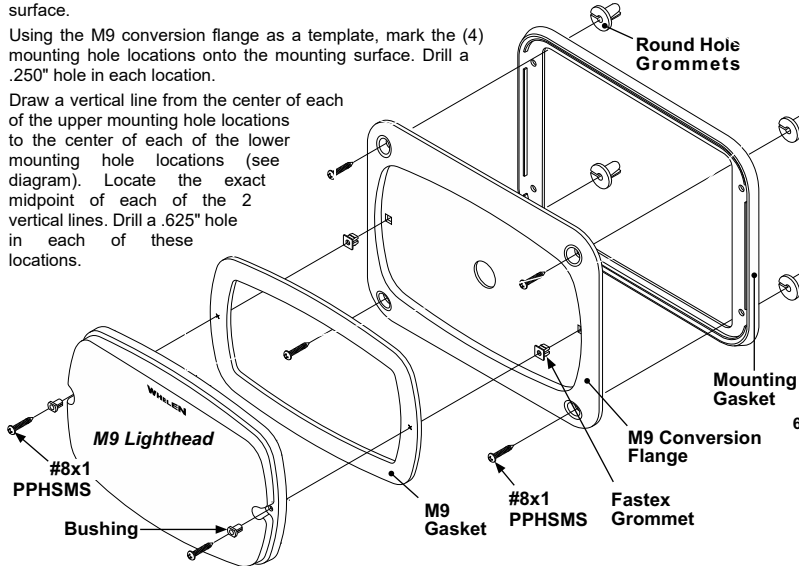
51 Winthrop Road,
Chester, Connecticut 06412-0684
Phone: (860) 526-9504
Fax: (860) 526-4078

Internet: www.whelen.com
Sales e-mail: autosale@whelen.com
Canadian Sales e-mail: autocan@whelen.com
Customer Service e-mail: custserv@whelen.com

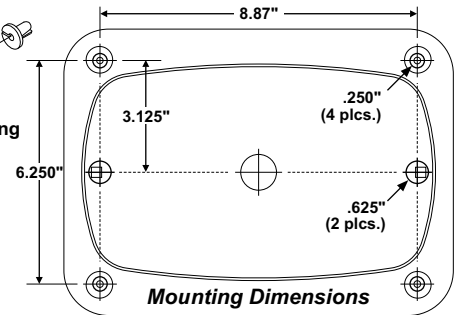
Installation Guide: Lighthead Adapter Flange 900 Series-to-M9 Series

Installation:

1. Remove the existing 900 lighthead and gasket from the mounting surface.
2. Using the M9 conversion flange as a template, mark the (4) mounting hole locations onto the mounting surface. Drill a .250" hole in each location.
3. Draw a vertical line from the center of each of the upper mounting hole locations to the center of each of the lower mounting hole locations (see diagram). Locate the exact midpoint of each of the 2 vertical lines. Drill a .625" hole in each of these locations.



4. Assemble the bushing, lighthead, gasket, Fastex grommets and conversion flange as shown. Insert the #8 x 1" screw as shown and tighten the assembly together.
5. Insert the 4 Round Hole Grommets into the 4 mounting holes. Position the lighthead assembly onto the mounting gasket and against the mounting surface. Secure the assembly to the mounting surface using the #8 x 1" sheet metal screws.
6. Extend the wires to your power source and connect as shown in the lighthead manual.



©2009 Whelen Engineering Company Inc.
Form No.14336A (101218)

For warranty information regarding this product, visit www.whelen.com/warranty

WHELEN[®]

ENGINEERING COMPANY INC.

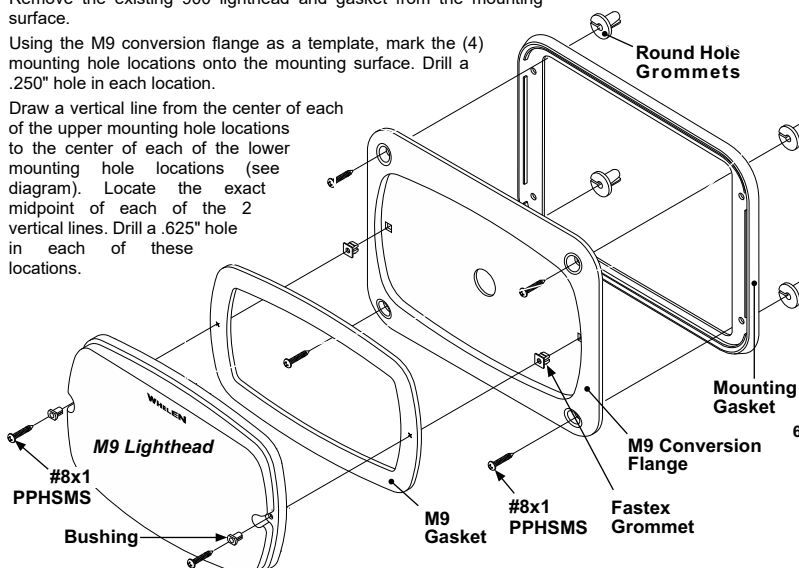
51 Winthrop Road,
Chester, Connecticut 06412-0684
Phone: (860) 526-9504
Fax: (860) 526-4078

Internet: www.whelen.com
Sales e-mail: autosale@whelen.com
Canadian Sales e-mail: autocan@whelen.com
Customer Service e-mail: custserv@whelen.com

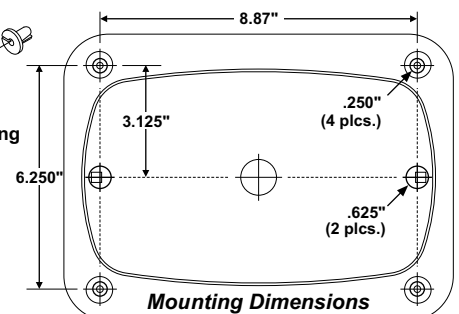
Installation Guide: Lighthead Adapter Flange 900 Series-to-M9 Series

Installation:

1. Remove the existing 900 lighthead and gasket from the mounting surface.
2. Using the M9 conversion flange as a template, mark the (4) mounting hole locations onto the mounting surface. Drill a .250" hole in each location.
3. Draw a vertical line from the center of each of the upper mounting hole locations to the center of each of the lower mounting hole locations (see diagram). Locate the exact midpoint of each of the 2 vertical lines. Drill a .625" hole in each of these locations.



4. Assemble the bushing, lighthead, gasket, Fastex grommets and conversion flange as shown. Insert the #8 x 1" screw as shown and tighten the assembly together.
5. Insert the 4 Round Hole Grommets into the 4 mounting holes. Position the lighthead assembly onto the mounting gasket and against the mounting surface. Secure the assembly to the mounting surface using the #8 x 1" sheet metal screws.
6. Extend the wires to your power source and connect as shown in the lighthead manual.



©2009 Whelen Engineering Company Inc.
Form No.14336A (101218)

For warranty information regarding this product, visit www.whelen.com/warranty