

# WHELEN<sup>®</sup>

ENGINEERING COMPANY INC.

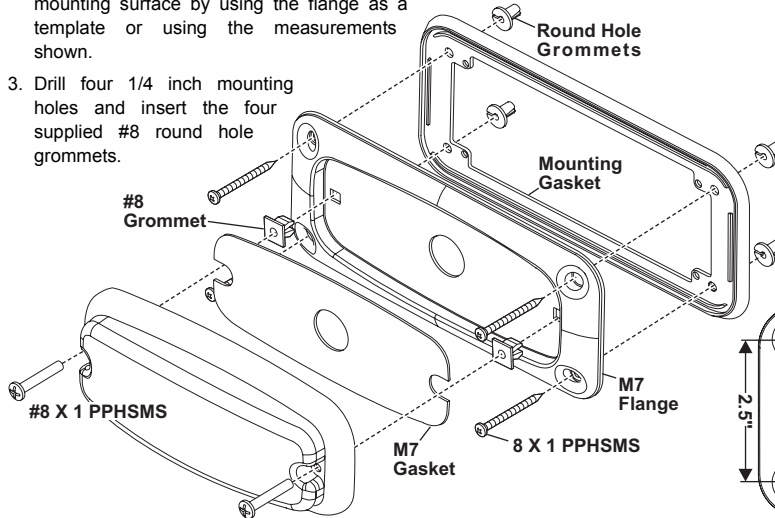
51 Winthrop Road,  
Chester, Connecticut 06412-0684  
Phone: (860) 526-9504  
Fax: (860) 526-4078

## Installation Guide: 700 Series to M7 Series Flange Adapter Model M7FC700

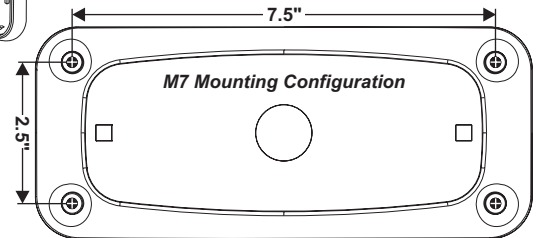
Internet: [www.whelen.com](http://www.whelen.com)  
Sales e-mail: [autosale@whelen.com](mailto:autosale@whelen.com)  
Canadian Sales e-mail: [autocan@whelen.com](mailto:autocan@whelen.com)  
Customer Service e-mail: [custserv@whelen.com](mailto:custserv@whelen.com)

### Mounting:

1. Remove the existing 700 series lighthead and gasket from the mounting surface.
2. Mark the M7 flange mounting hole locations onto the mounting surface by using the flange as a template or using the measurements shown.
3. Drill four 1/4 inch mounting holes and insert the four supplied #8 round hole grommets.



4. Insert the two #8 square grommets into the flange and secure the lighthead to the flange with two #8 X 1" sheet metal screws.  
**NOTE: Due to the mounting hole locations for the M Series and the variety of lighthead styles which may be replaced, cutting or drilling may be required for the screws going into the square grommets.**
5. Secure the Flange and lighthead to the vehicle with the 4 supplied #8 X 1" sheet metal screws and round grommets you installed in step 3.
6. Extend the wires to your power source and connect as shown in the lighthead manual.



©2009 Whelen Engineering Company Inc.  
Form No.14337 (080409)

For warranty information regarding this product, visit [www.whelen.com/warranty](http://www.whelen.com/warranty)

# WHELEN<sup>®</sup>

ENGINEERING COMPANY INC.

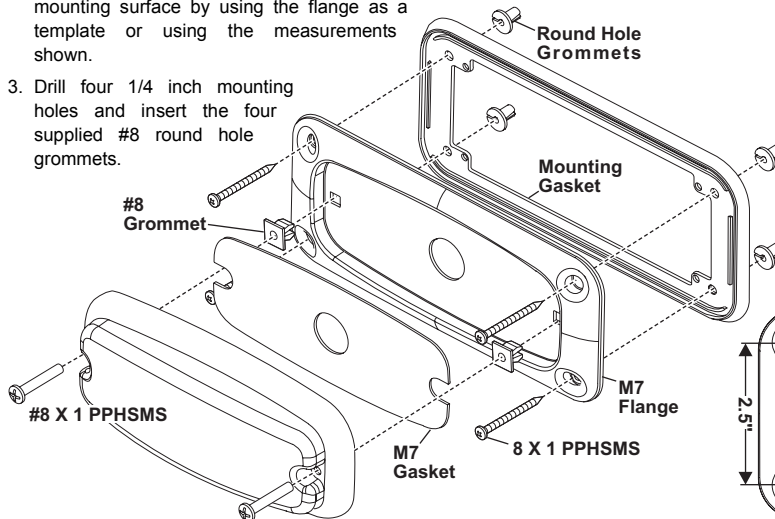
51 Winthrop Road,  
Chester, Connecticut 06412-0684  
Phone: (860) 526-9504  
Fax: (860) 526-4078

## Installation Guide: 700 Series to M7 Series Flange Adapter Model M7FC700

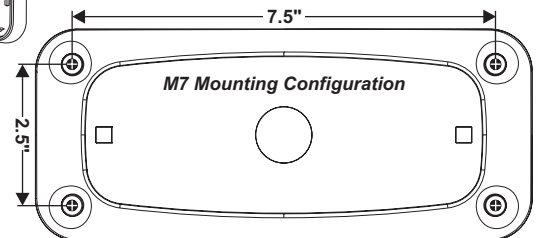
Internet: [www.whelen.com](http://www.whelen.com)  
Sales e-mail: [autosale@whelen.com](mailto:autosale@whelen.com)  
Canadian Sales e-mail: [autocan@whelen.com](mailto:autocan@whelen.com)  
Customer Service e-mail: [custserv@whelen.com](mailto:custserv@whelen.com)

### Mounting:

1. Remove the existing 700 series lighthead and gasket from the mounting surface.
2. Mark the M7 flange mounting hole locations onto the mounting surface by using the flange as a template or using the measurements shown.
3. Drill four 1/4 inch mounting holes and insert the four supplied #8 round hole grommets.



4. Insert the two #8 square grommets into the flange and secure the lighthead to the flange with two #8 X 1" sheet metal screws.  
**NOTE: Due to the mounting hole locations for the M Series and the variety of lighthead styles which may be replaced, cutting or drilling may be required for the screws going into the square grommets.**
5. Secure the Flange and lighthead to the vehicle with the 4 supplied #8 X 1" sheet metal screws and round grommets you installed in step 3.
6. Extend the wires to your power source and connect as shown in the lighthead manual.



©2009 Whelen Engineering Company Inc.  
Form No.14337 (080409)

For warranty information regarding this product, visit [www.whelen.com/warranty](http://www.whelen.com/warranty)