

WHELEN[®]

ENGINEERING COMPANY INC.

51 Winthrop Road,
Chester, Connecticut 06412-0684
Phone: (860) 526-9504
Fax: (860) 526-4078

Installation Guide: 600 Series to M6 Series Flange Adapter Model M6FC600

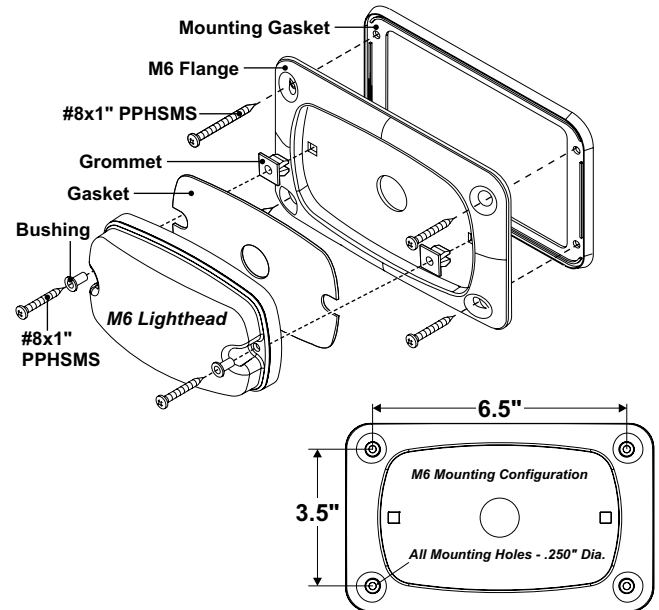
Internet: www.whelen.com
Sales e-mail: autosale@whelen.com
Canadian Sales e-mail: canadiansales@whelen.com
Customer Service e-mail: custserv@whelen.com

Mounting:

1. Remove the existing 600 series lighthead and gasket from the mounting surface.
2. Mark the M6 flange mounting hole locations onto the mounting surface either by using the flange as a template or the measurements shown. Drill four, 1/4" mounting holes.
3. Insert two #8 square grommets into the M6 flange and secure lighthead to flange with two #8 sheet metal screws.

NOTE: Due to application variations, cutting and/or drilling may be required for the square grommets.

4. Secure the lighthead assembly to the vehicle as shown using the hardware provided.
5. Extend the wires to your power source and connect as shown in the lighthead manual.



©2009 Whelen Engineering Company Inc.
Form No.14338A (051311)

For warranty information regarding this product, visit www.whelen.com/warranty

WHELEN[®]

ENGINEERING COMPANY INC.

51 Winthrop Road,
Chester, Connecticut 06412-0684
Phone: (860) 526-9504
Fax: (860) 526-4078

Installation Guide: 600 Series to M6 Series Flange Adapter Model M6FC600

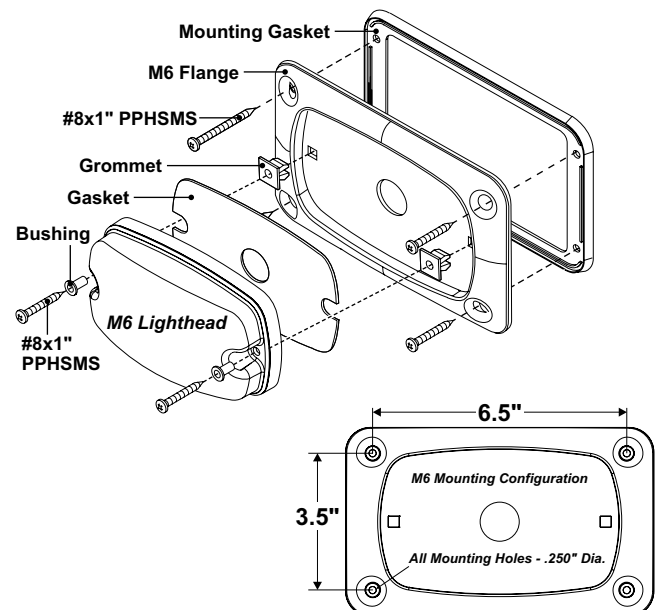
Internet: www.whelen.com
Sales e-mail: autosale@whelen.com
Canadian Sales e-mail: canadiansales@whelen.com
Customer Service e-mail: custserv@whelen.com

Mounting:

1. Remove the existing 600 series lighthead and gasket from the mounting surface.
2. Mark the M6 flange mounting hole locations onto the mounting surface either by using the flange as a template or the measurements shown. Drill four, 1/4" mounting holes.
3. Insert two #8 square grommets into the M6 flange and secure lighthead to flange with two #8 sheet metal screws.

NOTE: Due to application variations, cutting and/or drilling may be required for the square grommets.

4. Secure the lighthead assembly to the vehicle as shown using the hardware provided.
5. Extend the wires to your power source and connect as shown in the lighthead manual.



©2009 Whelen Engineering Company Inc.
Form No.14338A (051311)

For warranty information regarding this product, visit www.whelen.com/warranty