

## **WHELEN<sup>®</sup>** ENGINEERING COMPANY INC.

51 Winthrop Road  
Chester, Connecticut 06412-0684  
Phone: (860) 526-9504  
Fax: (860) 526-4078  
Internet: [www.whelen.com](http://www.whelen.com)  
Sales e-mail: [autosale@whelen.com](mailto:autosale@whelen.com)  
Canadian Sales e-mail: [autocan@whelen.com](mailto:autocan@whelen.com)  
Customer Service e-mail: [custserv@whelen.com](mailto:custserv@whelen.com)

## Installation Guide: VI Pod™ Interleaved Mini-Lightbar

### **Safety First**

This document provides all the necessary information to allow your Whelen product to be properly and safely installed. Before beginning the installation and/or operation of your new product, the installation technician and operator must read this manual completely. Important information is contained herein that could prevent serious injury or damage.

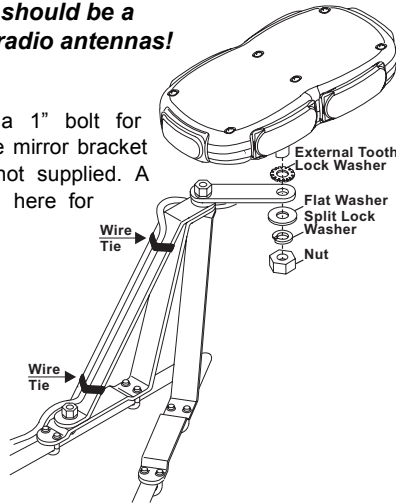
- **Proper installation of this product requires the installer to have a good understanding of automotive electronics, systems and procedures.**
- **If mounting this product requires drilling holes, the installer MUST be sure that no vehicle components or other vital parts could be damaged by the drilling process. Check both sides of the mounting surface before drilling begins. Also de-burr any holes and remove any metal shards or remnants. Install grommets into all wire passage holes.**
- **If this manual states that this product may be mounted with suction cups, magnets, tape or Velcro®, clean the mounting surface with a 50/50 mix of isopropyl alcohol and water and dry thoroughly.**
- **Do not install this product or route any wires in the deployment area of your air bag. Equipment mounted or located in the air bag deployment area will damage or reduce the effectiveness of the air bag, or become a projectile that could cause serious personal injury or death. Refer to your vehicle owner's manual for the air bag deployment area. The User/Installer assumes full responsibility to determine proper mounting location, based on providing ultimate safety to all passengers inside the vehicle.**
- **For this product to operate at optimum efficiency, a good electrical connection to chassis ground must be made. The recommended procedure requires the product ground wire to be connected directly to the NEGATIVE (-) battery post.**
- **If this product uses a remote device to activate or control this product, make sure that this control is located in an area that allows both the vehicle and the control to be operated safely in any driving condition.**
- **Do not attempt to activate or control this device in a hazardous driving situation.**
- **This product contains either strobe light(s), halogen light(s), high-intensity LEDs or a combination of these lights. Do not stare directly into these lights. Momentary blindness and/or eye damage could result.**
- **Use only soap and water to clean the outer lens. Use of other chemicals could result in premature lens cracking (crazing) and discoloration. Lenses in this condition have significantly reduced effectiveness and should be replaced immediately. Inspect and operate this product regularly to confirm its proper operation and mounting condition. Do not use a pressure washer to clean this product.**
- **It is recommended that these instructions be stored in a safe place and referred to when performing maintenance and/or reinstallation of this product.**
- **FAILURE TO FOLLOW THESE SAFETY PRECAUTIONS AND INSTRUCTIONS COULD RESULT IN DAMAGE TO THE PRODUCT OR VEHICLE AND/OR SERIOUS INJURY TO YOU AND YOUR PASSENGERS!**

**For warranty information regarding this product, visit [www.whelen.com/warranty](http://www.whelen.com/warranty)**

**IMPORTANT! The lightbar should be a minimum of 16" from any radio antennas!**

**Mirror Mounting:**

This light is available with a 1" bolt for mounting to a DOT mirror. The mirror bracket and mounting hardware are not supplied. A West Coast bracket is shown here for example.



**IMPORTANT! It is the responsibility of the installation technician to make sure that the installation and operation of this product will not interfere with or compromise the operation or efficiency of any vehicle equipment!**

**Connection and Operation:**

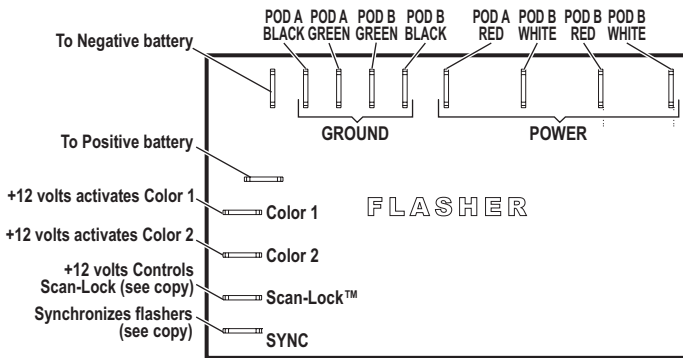
**WARNING! All customer supplied wires that connect to the positive terminal of the battery must be sized to supply at least 125% of the maximum operating current and be FUSED at the battery to carry that load. DO NOT USE CIRCUIT BREAKERS WITH THIS PRODUCT!**

**VI POD -** This light can not be run without being connected to an external flasher. If allowed to run in steady burn, the lighthoods will be damaged. The light is designed to run in either COLOR 1 or COLOR 2. It is recommended that you use the Whelen® VI POD flasher (or equivalent).

**WARNING: Do not run both colors at once. The lighthoods will overheat and damage will result.**

This lightbar is activated by a 4 conductor cable which must be connected to a flasher for operation.

**Flasher Operation:**



**Function terminals on side of flasher:**

**Color1 & Color2:** Apply +12VDC to either color 1 or 2 to activate the desired color in the split lighthoods.

**Scan-Lock™:** Selects flash patterns for lighthoods (See Scan-Lock™).

**SYNC:** Connect to the SYNC wire of another flasher to synchronize the flash patterns between 4 POD Lights.

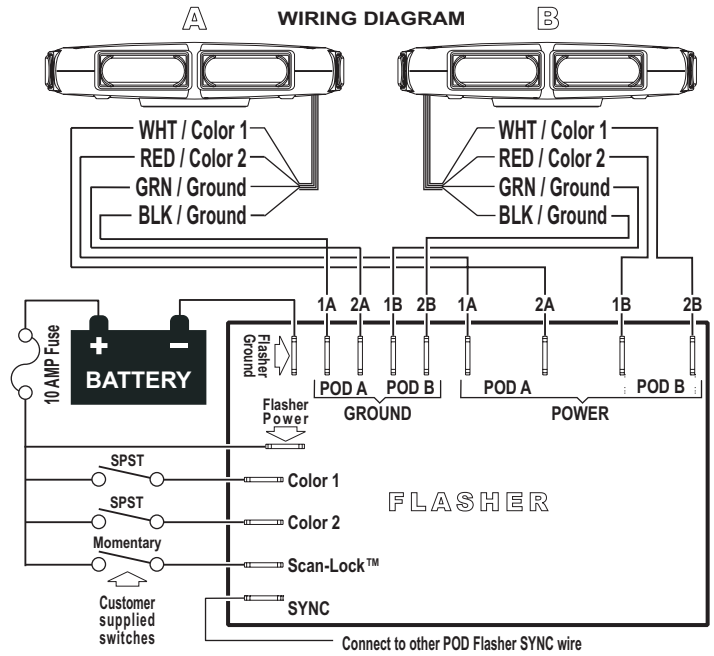
**Power/Ground terminals on top of flasher:**

**POD A-B Ground:** Connects to POD cable providing ground for PODs.

**POD A-B Power:** Connects to POD cable providing power to PODs.

**Flasher Specifications:**

- Input Voltage:..... 12.8 VDC +/- 20%
- Output Voltage:..... Input voltage minus 0.2 VDC
- Output Current:..... 10 AMPS Max
- Input Current:..... 40 AMPS Max
- Control 1:..... (Color 1)
- Control 2:..... (Color 2)



**Scan-Lock™ / Flash Pattern Selection:**

To change the flash pattern, the light must be powered up.

**TO CHANGE PATTERNS:** To advance to the next pattern apply +12VDC to the Scan-Lock™ wire for less than 1 second and release. To cycle back to the previous pattern apply +12VDC to the Scan-Lock™ wire for more than 1 second and release.

**TO CHANGE THE DEFAULT PATTERN:** When the desired pattern is displayed, allow it to run for more than 5 seconds. The light will now display this pattern when initially activated.

**TO RESTORE THE FACTORY DEFAULT PATTERN:** With the light turned off, apply power to the Scan-Lock™ wire. With power applied to the Scan-lock™ wire, turn the light on. Allow the unit to run for 5 seconds before removing power from the Scan-Lock™ wire.

**A Normally Open momentary switch should be used for control.**

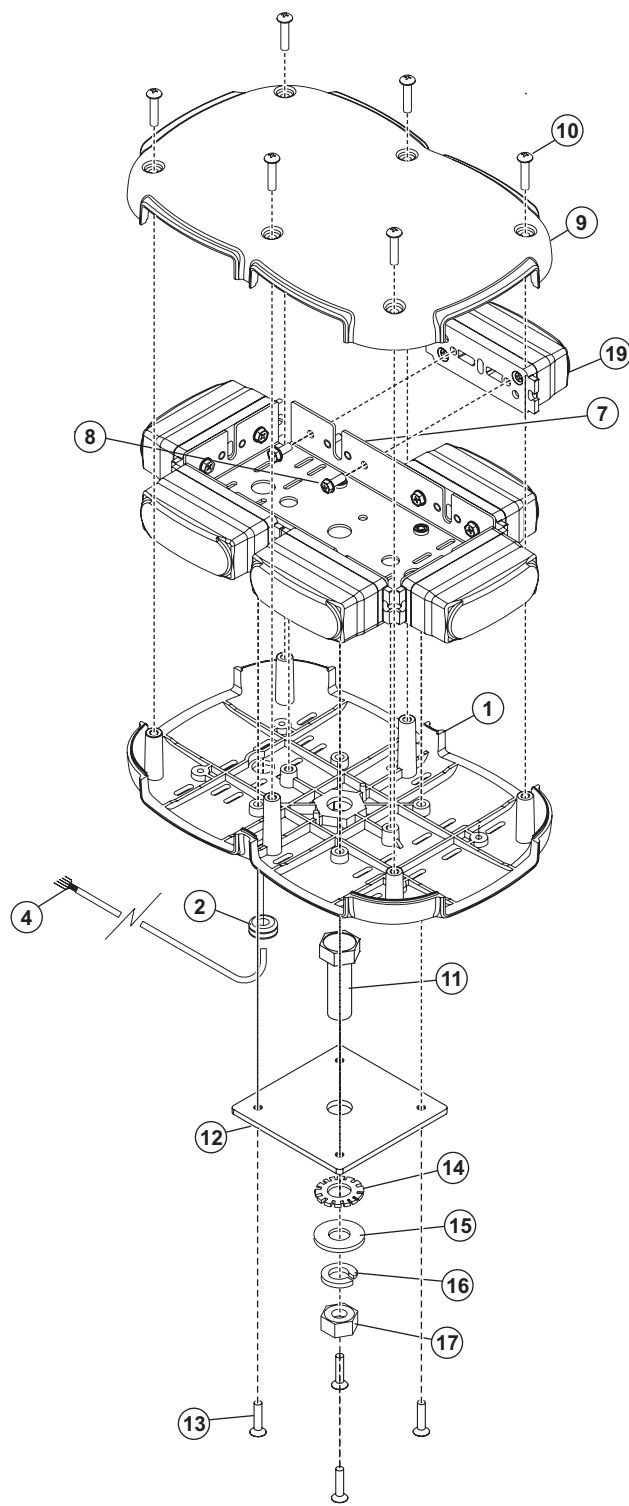
- |                            |                             |  |
|----------------------------|-----------------------------|--|
| <b>Flash Patterns:</b>     | 15. LongBurst™ ALT-SIM      | 30. MicroBurst™ ALT-SIM  |
| 1. SignalAlert™ ALT        | 16. SingleFlash 60 ALT      | 31. ActionFlash™ / ALT   |
| 2. SignalAlert™ SIM        | 17. SingleFlash 60 SIM      | 32. ActionFlash™ / SIM   |
| 3. SignalAlert™ ALT-SIM    | 18. SingleFlash 60 ALT-SIM  | 33. PingPong™ / ALT  |
| 4. CometFlash® ALT         | 19. SingleFlash 90 ALT      | 34. PingPong™ / SIM  |
| 5. CometFlash® SIM         | 20. SingleFlash 90 SIM      | 35. FilmFlam / ALT   |
| 6. CometFlash® ALT-SIM     | 21. SingleFlash 90 ALT-SIM  | 36. FilmFlam / SIM   |
| 7. DoubleFlash 75 ALT      | 22. SingleFlash 120 ALT     | 37. ModuFlash™ / ALT   |
| 8. DoubleFlash 75 SIM      | 23. SingleFlash 120 SIM     | 38. ModuFlash™ / SIM   |
| 9. DoubleFlash 75 ALT-SIM  | 24. SingleFlash 120 ALT-SIM | 39. ActionScan™  |
| 10. SingleFlash 75 ALT     | 25. SingleFlash 240 ALT     | <b>ALT</b> = Alternating   |
| 11. SingleFlash 75 SIM     | 26. SingleFlash 240 SIM     | <b>SIM</b> = Simultaneous  |
| 12. SingleFlash 75 ALT-SIM | 27. SingleFlash 240 ALT-SIM | <b>ALT-SIM</b> = 3 cycles of alternating, 3 cycles of Simultaneous |
| 13. LongBurst™ ALT         | 28. MicroBurst™ ALT         |  |
| 14. LongBurst™ SIM         | 29. MicroBurst™ SIM         |  |

**SYNC / Light Synchronization:**

To SYNC two or more flashers, configure both flashers to display the same "ALT" pattern. Turn power off and connect the SYNC ports from each flasher together. When activated, the patterns from each flasher will be synchronized. For a flasher to alternate patterns with another flasher, advance the pattern of either flasher to "SIM" of the current pattern.

**IMPORTANT! Before returning the vehicle to active service, visually confirm the proper operation of this product, as well as all vehicle components/equipment.**

**IMPORTANT WARNING!**  
**CAUTION! DO NOT LOOK DIRECTLY AT THESE LED'S WHILE THEY ARE ON. MOMENTARY BLINDNESS AND/OR EYE DAMAGE COULD RESULT!**



QTY	ITEM	PART NUMBER	PART DESCRIPTION
		01-0686443-__0	VI POD™ SERIES, INTERLEAVED
1	1	11-386161-000	HOUSING, BASE 6-LINZ6 LTHD MNT
1	2	21-11091202-0	GROMMET, 3/8" #905
4	3	25-1510223-00	BUTT SPLICE, STEP-DOWN PERMA-SEAL 16-14 AWG TO 22-18 AWG
1	4	46-0743146-09	ASSY, 4/C 18 GA TPR CABLE 20' STRIP BOTH ENDS 2"
A/R	5	26-0215001-03	TY WRAP, 3" BLACK
1	6	26-0215001-06	TY WRAP, 6" BLACK
1	7	07-26B120-000	BRACKET, HEATSINK LTHEAD MNT DOT MIRROR MNT
12	8	15-081916-066	SCREW, 8 X 3/8 PHEXWASHHD SS 400 SERIES
1	9	11-286162-000	HOUSING, TOP 6-LINZ6 LTHD MNT
6	10	15-085416-100	SCREW, 8 X 5/8 PPH PLASTI-LOC SS
1	11	14-173436-240	BOLT, 1/2-13 X 1-1/2 HEX HEAD SS
1	12	06-143815-000	BASEPLATE, LIGHTHEAD MOUNT MIRROR MOUNT
4	13	14-082116-120	SCREW, 8-32 X 3/4 PFHMS
1	14	16-1712920-40	WASHER, 1/2" EXTERNAL TOOTH LOCK, SS
1	15	16-1704020-80	WASHER, 1/2" FLAT SS 1/2 ID X 1 1/4 OD X .060
1	16	16-1732720-14	WASHER, 1/2" SPLIT LOCK STAINLESS STEEL
1	17	13-173120-120	NUT, 1/2-13 HEX SS
2	18	46-076B938-00	HARNES, 6POD INTERLEAVED
6	19	01-026B869-__	LINZ6™ INTERLEAVED

**PART NUMBER KEY:**

01-0686443-\_\_0

LED COLOR ]

D = RED/WHT

J = RED/BLU

K = RED/AMB

E = BLU/WHT

F = AMB/WHT

M = AMB/BLU