

# WHELEN<sup>®</sup>

ENGINEERING COMPANY INC.

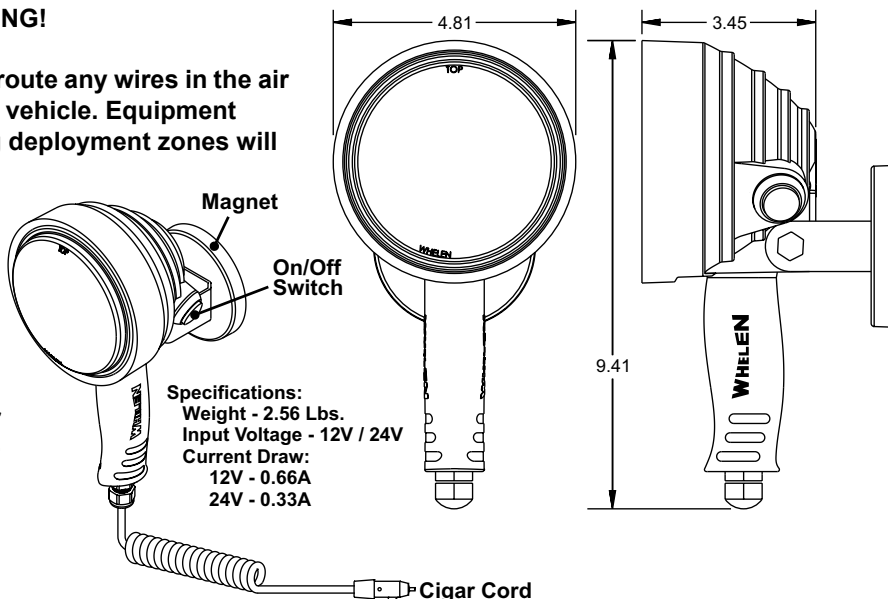
51 Winthrop Road,  
Chester, Connecticut 06412-0684  
Phone: (860) 526-9504  
Fax: (860) 526-4078

## Installation Guide: PAR-36 LED Hand Held Light

Internet: [www.whelen.com](http://www.whelen.com)  
Sales e-mail: [autosale@whelen.com](mailto:autosale@whelen.com)  
Canadian Sales e-mail: [autocan@whelen.com](mailto:autocan@whelen.com)  
Customer Service e-mail: [custserv@whelen.com](mailto:custserv@whelen.com)

### IMPORTANT AIR BAG WARNING!

Do not install this product or route any wires in the air bag deployment zone of your vehicle. Equipment mounted or located in air bag deployment zones will damage or reduce the effectiveness of the air bag, or become a projectile that could cause serious personal injury or death. Refer to your vehicle owner's manual to learn the air bag deployment zones for the vehicle. The User/Installer assumes full responsibility to determine the proper mounting location, based on providing ultimate safety to all passengers inside the vehicle.



Specifications:  
Weight - 2.56 Lbs.  
Input Voltage - 12V / 24V  
Current Draw:  
12V - 0.66A  
24V - 0.33A

©2010 Whelen Engineering Company Inc.  
Form No.14389A (121410)

For warranty information regarding this product, visit [www.whelen.com/warranty](http://www.whelen.com/warranty)

# WHELEN<sup>®</sup>

ENGINEERING COMPANY INC.

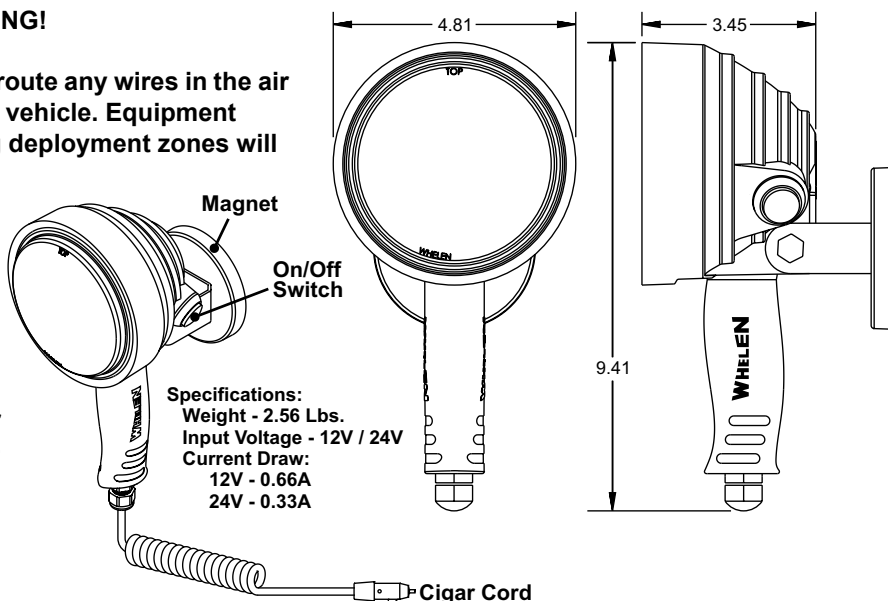
51 Winthrop Road,  
Chester, Connecticut 06412-0684  
Phone: (860) 526-9504  
Fax: (860) 526-4078

## Installation Guide: PAR-36 LED Hand Held Light

Internet: [www.whelen.com](http://www.whelen.com)  
Sales e-mail: [autosale@whelen.com](mailto:autosale@whelen.com)  
Canadian Sales e-mail: [autocan@whelen.com](mailto:autocan@whelen.com)  
Customer Service e-mail: [custserv@whelen.com](mailto:custserv@whelen.com)

### IMPORTANT AIR BAG WARNING!

Do not install this product or route any wires in the air bag deployment zone of your vehicle. Equipment mounted or located in air bag deployment zones will damage or reduce the effectiveness of the air bag, or become a projectile that could cause serious personal injury or death. Refer to your vehicle owner's manual to learn the air bag deployment zones for the vehicle. The User/Installer assumes full responsibility to determine the proper mounting location, based on providing ultimate safety to all passengers inside the vehicle.



Specifications:  
Weight - 2.56 Lbs.  
Input Voltage - 12V / 24V  
Current Draw:  
12V - 0.66A  
24V - 0.33A

©2010 Whelen Engineering Company Inc.  
Form No.14389A (121410)

For warranty information regarding this product, visit [www.whelen.com/warranty](http://www.whelen.com/warranty)