

WHELEN[®]

ENGINEERING COMPANY INC.

51 Winthrop Road
 Chester, Connecticut 06412-0684
 Phone: (860) 526-9504
 Fax: (860) 526-2009
 Internet: www.whelen.com
 Sales/Service e-mail: aviation@whelen.com

Installation Guide: Aviation model 7145701 P/N 01-0771457-01 Flasher/Current Source



TSO-C30c
 TYPES I, II & III /
 TSO-C96a
 CLASS II APPROVED



The conditions and tests required for TSO approval of this article are minimum performance standards. It is the responsibility of those installing this article either on or within a specific type or class of aircraft to determine that the aircraft installation conditions are within the TSO standards. TSO articles must have separate approval for installation in aircraft. The article may be installed only if performed under 14 CFR part 43 or the applicable airworthiness requirements.

SPECIFICATIONS:

Nominal Operational Voltage:..... 28 VDC
 (Operation from 22-32 VDC)
 Input Current (with 905690x Lighthead):
 LED Forward Position Light 0.23 Amps
 LED Anti-Collision Light (Pulse@.25 Sec.) 3.9 Amps
 LED Anti-Collision Light (Avg.) 0.73 Amps
 Flashrate 45 ±5 Per. Min.

EQUIPMENT LIMITATIONS:

An approved Anti-Collision / Position Light System consists of at least 2 flasher/current source units, each connected to a LED anti-collision/position light lighthead.

Certain types of installations may require additional testing.

CONTINUED AIRWORTHINESS:

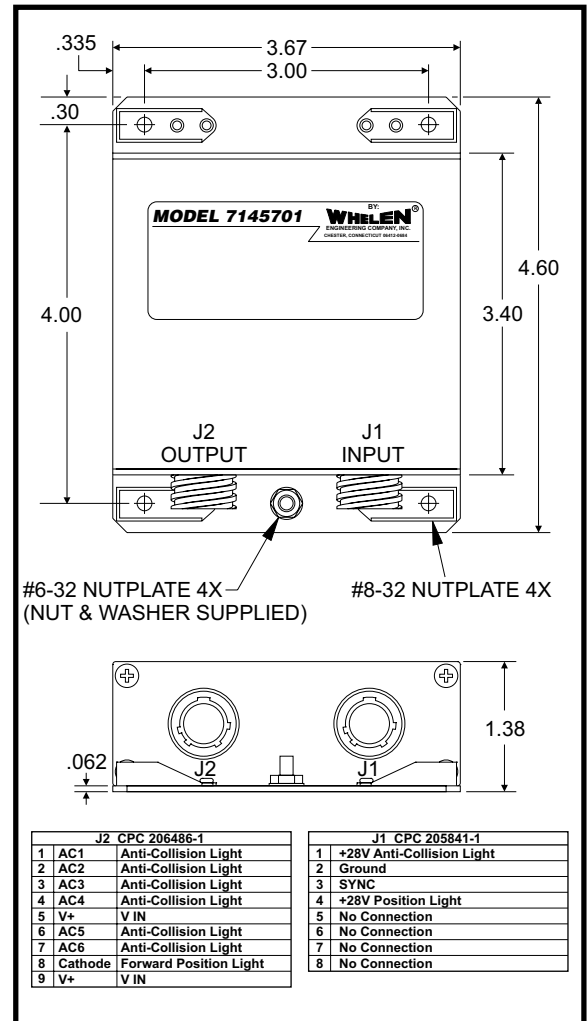
If any bank of LEDs fail, the lighthead module should be checked. If the module checks good, replace the flasher.

Note: An anti-collision light will automatically shut-off after 9-10 flashes if a failure is detected.

INSTALLATION PROCEDURES:

1. Consider areas or locations designated by the aircraft manufacturer. Check that breakers are properly rated.
2. Using appropriate hardware, install the flasher assembly.
3. Connect the inputs according to the chart shown. Connections to be in accordance with FAA approved methods.
4. Insure that all leads are clear of any obstructions and secure as required.
5. Check all avionic systems for interference from the installation
6. A flight check should be performed by a certified pilot
7. Update aircraft records, complete form 337 and obtain FAA field approval for installation, as necessary

Note: SYNC is a low powered, bi-directional control signal. Connecting to the synchronize signal of any Whelen LED anti collision assembly will cause the lights to flash at the same time. If synchronization is not necessary, the connection may be left open.



For warranty information regarding this product, visit www.whelen.com/warranty