

WHELEN®

ENGINEERING COMPANY INC.

51 Winthrop Road
 Chester, Connecticut 06412-0684
 Phone: (860) 526-9504
 Fax: (860) 526-2009
 Internet: www.whelen.com
 Sales/Service e-mail: aviation@whelen.com

Installation Guide: Aviation model(s): 7112530 P/N: 01-0771125-30 LED Taxi Light Assembly



SPECIFICATIONS:

Nominal Operational Voltage:..... 28VDC
 Input Current (Nominal):..... 0.45 Amps

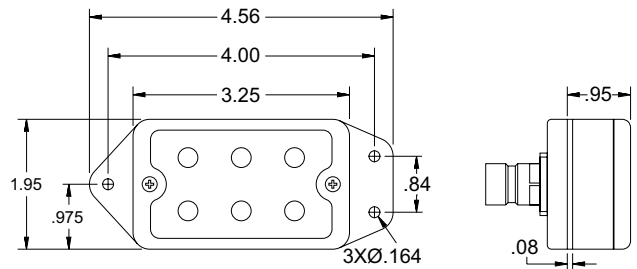
CONTINUED AIRWORTHINESS:

The Taxi Light, Model 7112530, consists of a single bank of six LEDs. If one LED fails as a short, the other five will continue to operate. If an LED fails open, all six LEDs will be off. There is no FAR requirement for this light. Inspect the lens. replace if there is excessive scratching, pitting, discoloration or cracking.

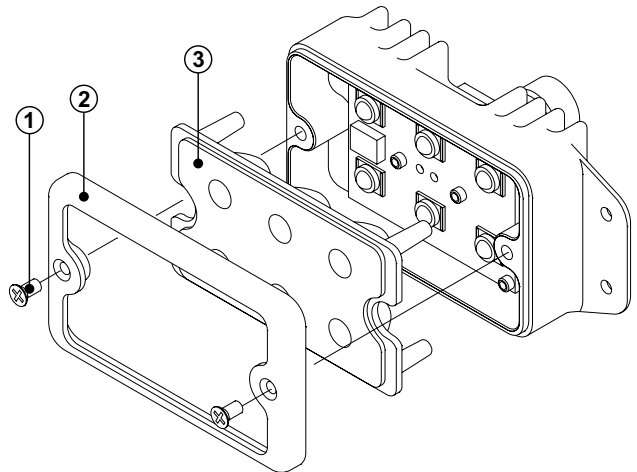
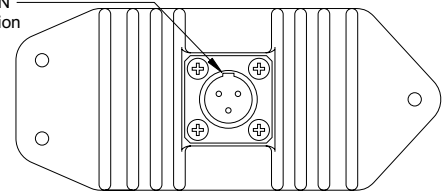
INSTALLATION PROCEDURES:

The following information is to assist in the installation of a Whelen Taxi light.

1. The installation procedure described in the following text will be confined to a single light installation, but is identical for multiple light installations.
2. Connect the Taxi light inputs according to the chart shown. Connect the power lead to an appropriately sized breaker. Connections to be in accordance with FAA approved methods.
3. Using appropriate hardware, install light assembly and insure that all leads are clear of any obstructions and ty-rop as required. Secure light assembly, using vibration resistant threaded fasteners.
4. Check all avionics systems for interference from this installation.
5. A flight check should be performed by a properly certified pilot.
6. When necessary, waterproof the light base to aircraft. Apply single part silicone (RTV) or equivalent around any open area where water could get in.
7. Update aircraft records, complete Form 337 and obtain FAA field approval for installation, as necessary.



D38999 / 20FA98PN
 Connector Orientation
 POS A: +28V
 POS B: GND
 POS C: N/C



| QTY | ITEM | PART NUMBER | DESCRIPTION |
|-----|------|---------------|------------------------------------|
| * | | 01-0771125-30 | MODEL 7112530 FINAL ASSEMBLY |
| 2 | 1 | 14-0050581-04 | 4-40 X 3/8" 100° CSK PFH |
| 1 | 2 | 11-471138-100 | BEZEL, TIR REFLECTOR 2X3 OPTIC |
| 1 | 3 | 68-5971136-00 | REFLECTOR, CLEAR OPTIC TIR 2X3 10° |