

# WHELEN<sup>®</sup>

ENGINEERING COMPANY INC.

51 Winthrop Road  
 Chester, Connecticut 06412-0684  
 Phone: (860) 526-9504  
 Fax: (860) 526-2009  
 Internet: [www.whelen.com](http://www.whelen.com)  
 Sales/Service e-mail: [aviation@whelen.com](mailto:aviation@whelen.com)

## Installation Guide: Model 71080( )-series Model(s) 7108019 P/N:01-0771080-19 LED Anti-Collision Light Assembly



*TSO-C96a*  
**CLASS I & III**  
**APPROVED**



*The conditions and tests required for TSO approval of this article are minimum performance standards. It is the responsibility of those installing this article either on or within a specific type or class of aircraft to determine that the aircraft installation conditions are within the TSO standards. TSO articles must have separate approval for installation in aircraft. The article may be installed only if performed under 14 CFR part 43 or the applicable airworthiness requirements.*

### OPERATING INSTRUCTIONS:

**Operational Voltage:** . . . . . 28 VDC nominal  
 (Operation from 22-30 VDC)  
**Average Input Current:** . . . . . 0.67 Amps  
**Pulse @ 0.3 Sec.:** . . . . . 3.0 Amps  
**Flashrate:** . . . . . 45± 5 per

**EQUIPMENT LIMITATIONS:** An approved Anti-Collision light assembly should be located so that their light will not impair the crews vision or detract from the conspicuity of the position lights. The light should be mounted on a thermally conductive surface. The baseplate must be mounted parallel to the vertical and horizontal centerlines of the aircraft to project the patterns properly.

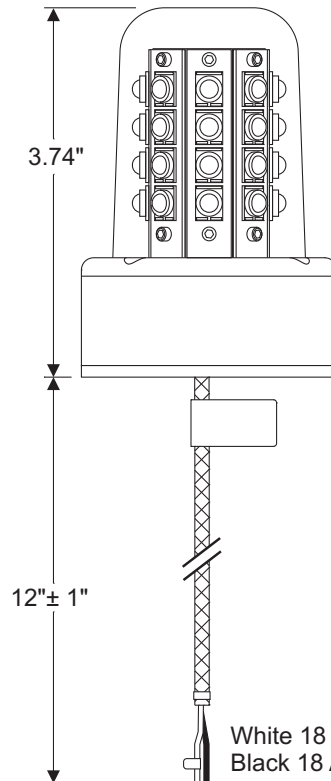
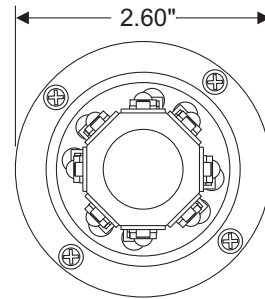
Certain types of aircraft may require additional testing.

**CONTINUED AIRWORTHINESS:** The 71080 series LED anti-collision light assembly is designed with 8 vertical columns consisting of 4 LEDs each. Should any one LED fail, the unit must be repaired or replaced. **Note:** To reduce eye strain use an optical filter such as dark glasses or a blue covering dome during LED inspection.

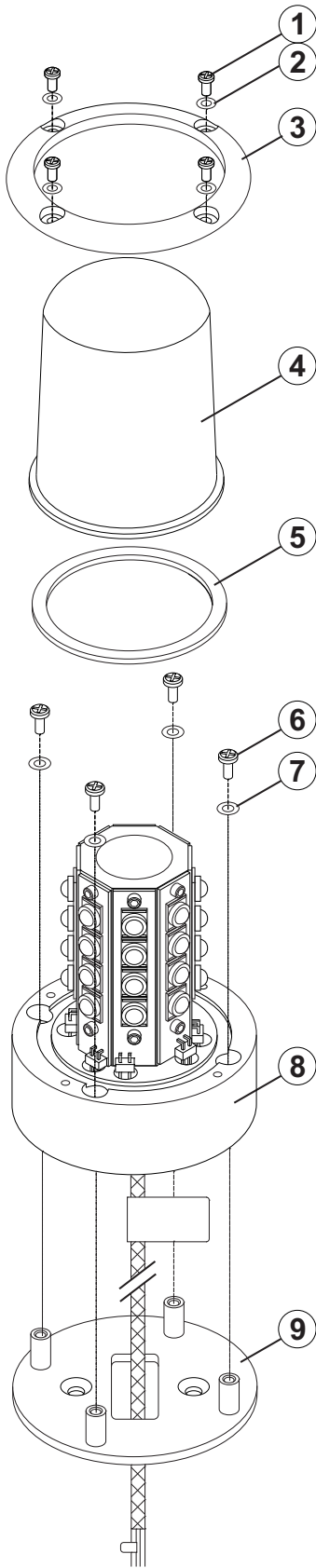
Inspect the lens and replace if there is excessive scratching, pitting, discoloration or cracking.

**INSTALLATION PROCEDURES:** The following information is to assist in the installation of a Whelen LED Anti-collision Light System.

1. Using the mounting detail information provided, prepare the aircraft for means to secure the LED Light assembly.
2. Carefully remove the lens retainer and lens from the assembly. **CAUTION!** Do not touch the LED lens surface with either fingers or sharp objects. This could soil and/or damage the lens and effect the optical performance of the LEDs.
3. Connect the light inputs according to the chart shown. Connect the power lead to an appropriately sized breaker. Connections to be in accordance with FAA approved methods.
4. Secure the adaptor plate to the aircraft using vibration resistant threaded fasteners. Flat head, #8 screws are recommended.
5. Install the light assembly and insure that all leads are clear of any obstructions. Secure leads as required. **CAUTION:** Do not over-torque screws (item 6) when reinstalling the light assembly onto the adapter plate.
6. Reinstall the lens and confirm proper gasket fit.
7. Install lens retainer. Using appropriate hardware, secure as required.
8. Check all avionics systems for interference from this installation.
9. A flight check should be performed by a properly certified pilot.
10. Update aircraft records, complete Form 337 and obtain FAA field approval for installation.



Aviation



QTY	ITEM	PART NUMBER	DESCRIPTION
*		01-0771080-19	MODEL 7108019 LED ANTI COLLISION LIGHT (28V)
4	1	14-0050505-14	SCREW, 4-40 X 5/16 PPHMS MS51957-14
4	2	16-0050506135	WASHER, #4 LOCK-SPRING MS35338-135
1	3	19-171047-100	RETAINER, LENS
1	4	68-4971082A30	LENS, CLEAR LED ANTI-COLLISION HARDCOAT
1	5	38-0250885-00	GASKET, LENS
4	6	14-0050503123	SCREW, 6-32 X 9/16 PPHMS SS MS51957-123
4	7	16-0050506136	WASHER, #6 LOCK-SPRING MS35338-136
1	8	01-0271085-19	ASSY, 28V LED ANTI COLLISION LIGHT 71080
1	9	07-771643-100	ADAPTER PLATE, 2-HOLE

