

WHELEN[®]

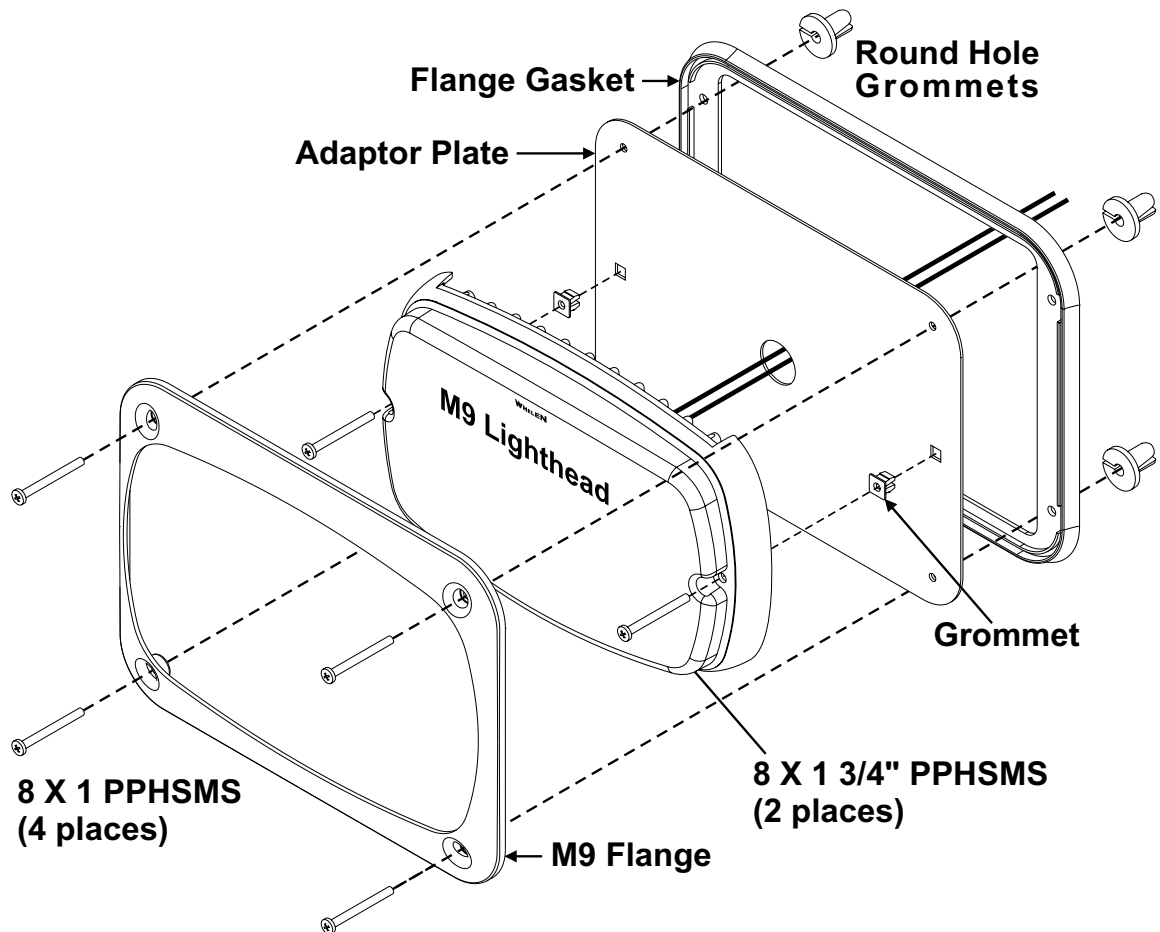
ENGINEERING COMPANY INC.

51 Winthrop Road
Chester, Connecticut 06412-0684
Phone: (860) 526-9504
Fax: (860) 526-4078
Internet: www.whelen.com
Sales e-mail: autosale@whelen.com
Canadian Sales e-mail: canadiansales@whelen.com
Customer Service e-mail: custserv@whelen.com

Installation Guide: 900 Series to M9 Series Scenelight Adaptor Flange

Installation:

1. Remove the existing 900 series lighthead and gasket from the mounting surface.
2. Install the 2 square grommets into the Adaptor Plate as shown.
3. Route the M9 lighthead wires through the wire passage hole. Using the hardware provided secure the M9 lighthead to the adaptor plate.
4. Install the 4, round hole screw grommets into the existing mounting holes.
5. Position the adaptor plate/lighthead assembly onto the flange gasket. Make sure that this assembly is positioned so that the gasket fits properly.
6. Place this assembly into position on the mounting surface. Now mount the M9 flange onto the flange gasket and secure the complete assembly to the mounting surface using the hardware shown.
7. Extend the lighthead wires to your power source and connect as shown in the lighthead manual.



For warranty information regarding this product, visit www.whelen.com/warranty