

WHELEN[®]

ENGINEERING COMPANY INC.

51 Winthrop Road
 Chester, Connecticut 06412-0684
 Phone: (860) 526-9504
 Fax: (860) 526-4078
 Internet: www.whelen.com
 Sales e-mail: autosale@whelen.com
 Canadian Sales e-mail: canadiansales@whelen.com
 Customer Service e-mail: custserv@whelen.com

Installation Guide:
Howler™ Siren Speaker Bracket
Model: HWLRB15 / 2011 Dodge Charger
(For vehicles equipped with V-8 engines)

DANGER Sirens produce extremely loud emergency warning tones! Exposure to these tones without proper and adequate hearing protection, could cause ear damage and/or hearing loss! The Occupational Safety & Health Administration (www.osha.gov) provides information necessary to determine safe exposure times in Occupational Noise Exposure Section 1910.95. Until you have determined the safe exposure times for your specific application, operators and anyone else in the immediate vicinity should be required to wear an approved hearing protection device. **FAILURE TO FOLLOW THIS RECOMMENDATION COULD CAUSE HEARING LOSS!**

Safety First

This document provides all the necessary information to allow your Whelen product to be properly and safely installed. Before beginning the installation and/or operation of your new product, the installation technician and operator must read this manual completely. Important information is contained herein that could prevent serious injury or damage.

- Proper installation of this product requires the installer to have a good understanding of automotive electronics, systems and procedures.
- Failure to use specified installation parts and/or hardware will void the product warranty!
- If mounting this product requires drilling holes, the installer **MUST** be sure that no vehicle components or other vital parts could be damaged by the drilling process. Check both sides of the mounting surface before drilling begins. Also de-burr any holes and remove any metal shards or remnants. Install grommets into all wire passage holes.
- If this manual states that this product may be mounted with suction cups, magnets, tape or Velcro®, clean the mounting surface with a 50/50 mix of isopropyl alcohol and water and dry thoroughly.
- Do not install this product or route any wires in the deployment area of your air bag. Equipment mounted or located in the air bag deployment area will damage or reduce the effectiveness of the air bag, or become a projectile that could cause serious personal injury or death. Refer to your vehicle owner's manual for the air bag deployment area. The User/Installer assumes full responsibility to determine proper mounting location, based on providing ultimate safety to all passengers inside the vehicle.
- For this product to operate at optimum efficiency, a good electrical connection to chassis ground must be made. The recommended procedure requires the product ground wire to be connected directly to the **NEGATIVE (-)** battery post.
- If this product uses a remote device to activate or control this product, make sure this control is located in an area that allows both the vehicle and the control to be operated safely in any driving condition. **DO NOT ATTEMPT TO ACTIVATE OR CONTROL THIS DEVICE IN A HAZARDOUS DRIVING SITUATION.**
- It is recommended that these instructions be stored in a safe place and referred to when performing maintenance and/or reinstallation of this product.
- **FAILURE TO FOLLOW THESE SAFETY PRECAUTIONS AND INSTRUCTIONS COULD RESULT IN DAMAGE TO THE PRODUCT OR VEHICLE AND/OR SERIOUS INJURY TO YOU AND YOUR PASSENGERS!**

ACTIVATION OF THIS SIREN MAY DAMAGE UNPROTECTED EARS!



Wear Protection!

CAUTION

Loud siren noise can cause hearing damage and/or loss. Refer to OSHA Section 1910.95 prior to putting ANY siren into service!

For warranty information regarding this product, visit www.whelen.com/warranty

IMPORTANT! READ THESE WARNINGS BEFORE CONTINUING!

The Howler™ Supplemental Siren was designed for use in high-risk areas such as an intersection. It is not intended to be, nor should be operated as a replacement or alternative to the vehicle's primary siren.

The low-frequency tones of the Howler demonstrate significantly different audio characteristics as compared to those of a traditional higher-frequency siren. While the low-frequency tones are better able to penetrate other vehicles, thus alerting drivers to the presence of the responding emergency vehicle, these tones may also penetrate into the responding vehicle itself. This could potentially expose the operator to increased noise levels.

To help eliminate overexposure, the Howler siren has been designed with a built-in timing circuit. The Occupational Safety & Health Administration (OSHA) (www.osha.gov) provides information necessary to determine safe exposure times in Noise and Hearing Conservation, Section 1910.95 (Occupational Noise Exposure). Until you have determined the safe exposure times for your specific application, this siren should be configured for the minimum operating time and operators should be required to use an approved hearing protection device. **FAILURE TO FOLLOW THIS RECOMMENDATION COULD CAUSE HEARING LOSS!**

IMPORTANT: It is the responsibility of the installation technician to make sure that the installation and operation of this product will not interfere with or compromise the operation or efficiency of any vehicle equipment!

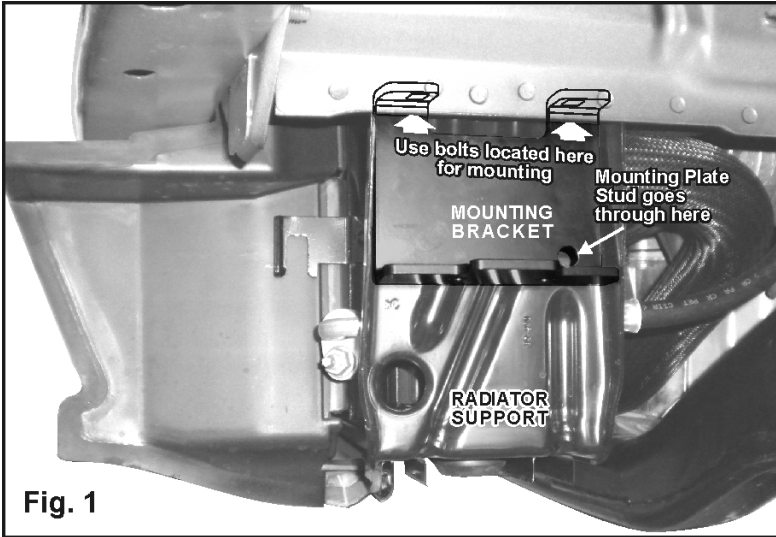
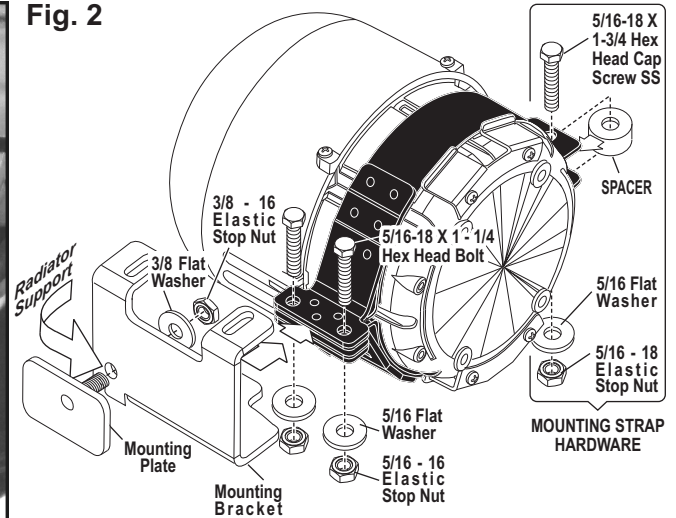


Fig. 2



IMPORTANT: This bracket can only be mounted on Chargers equipped with a V8 engine and can not be used for vehicles equipped with a V6.

Installation: Lower Mount Bracket

IMPORTANT: The slotted holes in both siren speakers must face toward the road after mounting for proper drainage.

1. Consult the vehicle owners manual to access the radiator support. Remove the two bolts from the radiator support indicated in Figure 1.
2. Put the bracket into place and replace the 2 bolts you removed in step 1 to secure the bracket.
3. Slide the mounting plate behind the radiator support so the stud goes through the radiator support and bracket as shown (Figs. 1 & 2). Secure the mounting plate with the supplied hardware (Fig. 2).
4. Mount the siren to the bracket and tighten all mounting hardware.

Installation: Upper Mount Bracket

1. Secure the siren speaker to the mounting bracket using the four 5/16 X 1" HEX HEAD SHEET METAL SCREWS provided (Fig. 4)
2. The UPPER mounting bracket will mount to existing holes in the front bumper (Fig. 3). Follow the vehicles owners manual to gain access to the bumper. First widen the hole in the bumper (See figures 3 & 4) with a 3/4" drill to accommodate the mounting hardware and then slide the bracket into the bumper.
3. With the two 1/2" FLAT WASHERS and SPACER in place, feed the 1/2 - 13 X 2" SOCKET HEAD CAP SCREW up through the bottom hole in the bumper, through the bracket, washers and spacer and secure with the 1/2 - 13 ELASTIC STOP NUT.
4. Extend the BLACK (-) negative and WHITE (+) positive speaker wires of both siren speakers to your amplifier and connect as described in the amplifier instructions.

IMPORTANT! When routing wires, it is important to choose a path that will keep the wires away from any excessive heat or from any vehicle equipment that could compromise their integrity such as trunk lids, door jams, etc...

