

# WHELEN<sup>®</sup>

ENGINEERING COMPANY INC.

51 Winthrop Road  
Chester, Connecticut 06412-0684  
Phone: (860) 526-9504  
Fax: (860) 526-2009  
Internet: [www.whelen.com](http://www.whelen.com)  
Sales/Service e-mail: [aviation@whelen.com](mailto:aviation@whelen.com)

## Installation Guide: Aviation model: 9058900 P/N: 01-0790589-00 4-Inch Taxi Light Assembly



### SPECIFICATIONS:

Nominal Operational Voltage:..... 28VDC  
Input Current (Nominal):..... 1.3 Amps

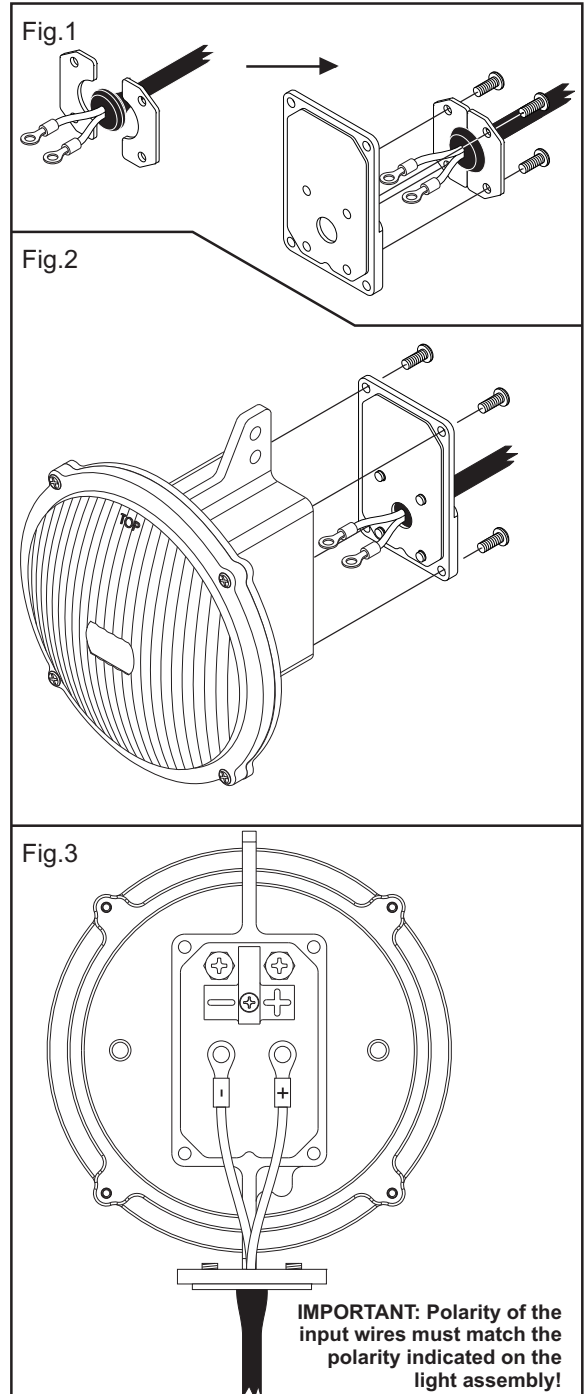
### CONTINUED AIRWORTHINESS:

The Taxi Light, Model 9058900, consists of two banks of seven LEDs, for a total of 14 LEDs. If one LED fails as a short, the other 13 will continue to operate. If an LED fails open, all seven LEDs in that bank will be off and the other bank will operate normally. There is no FAR requirement for this light. Inspect the lens. Replace if there is excessive scratching, pitting, discoloration or cracking.

### INSTALLATION PROCEDURES:

The following information is to assist in the installation of a Whelen LED Taxi Light.

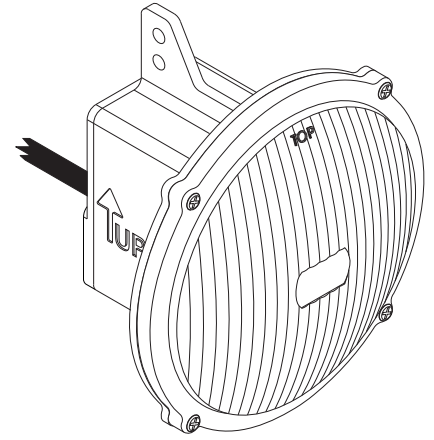
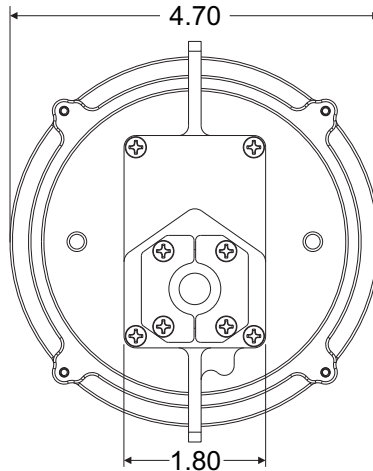
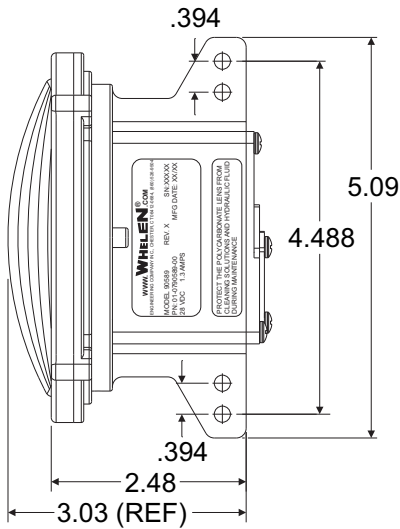
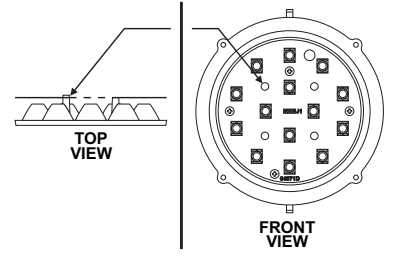
1. Remove the rear cover and cable clamps.
2. Engage the existing input cable with the cable clamps and secure to the rear cover as shown in Fig. 1.
3. Before the rear cover is installed onto the light assembly (Fig. 2), connect the taxi light inputs to the assembly according to the polarity indicated. **Note: This unit is polarity sensitive and will not function if not wired properly (see Fig. 3).** Connect the power lead to an appropriately sized breaker. Connections to be in accordance with FAA approved methods. Coat connections so as to prevent corrosion.
4. Using appropriate hardware, install light assembly and insure that all leads are clear of any obstructions and secure as required. Secure light assembly, using vibration resistant threaded fasteners. **NOTE: Make sure the "UP" arrow is properly oriented.**
5. Check all avionics systems for interference from this installation.
6. A flight check should be performed by a properly certified pilot.
7. Update aircraft records, complete Form 337 and obtain FAA field approval for installation, as necessary.



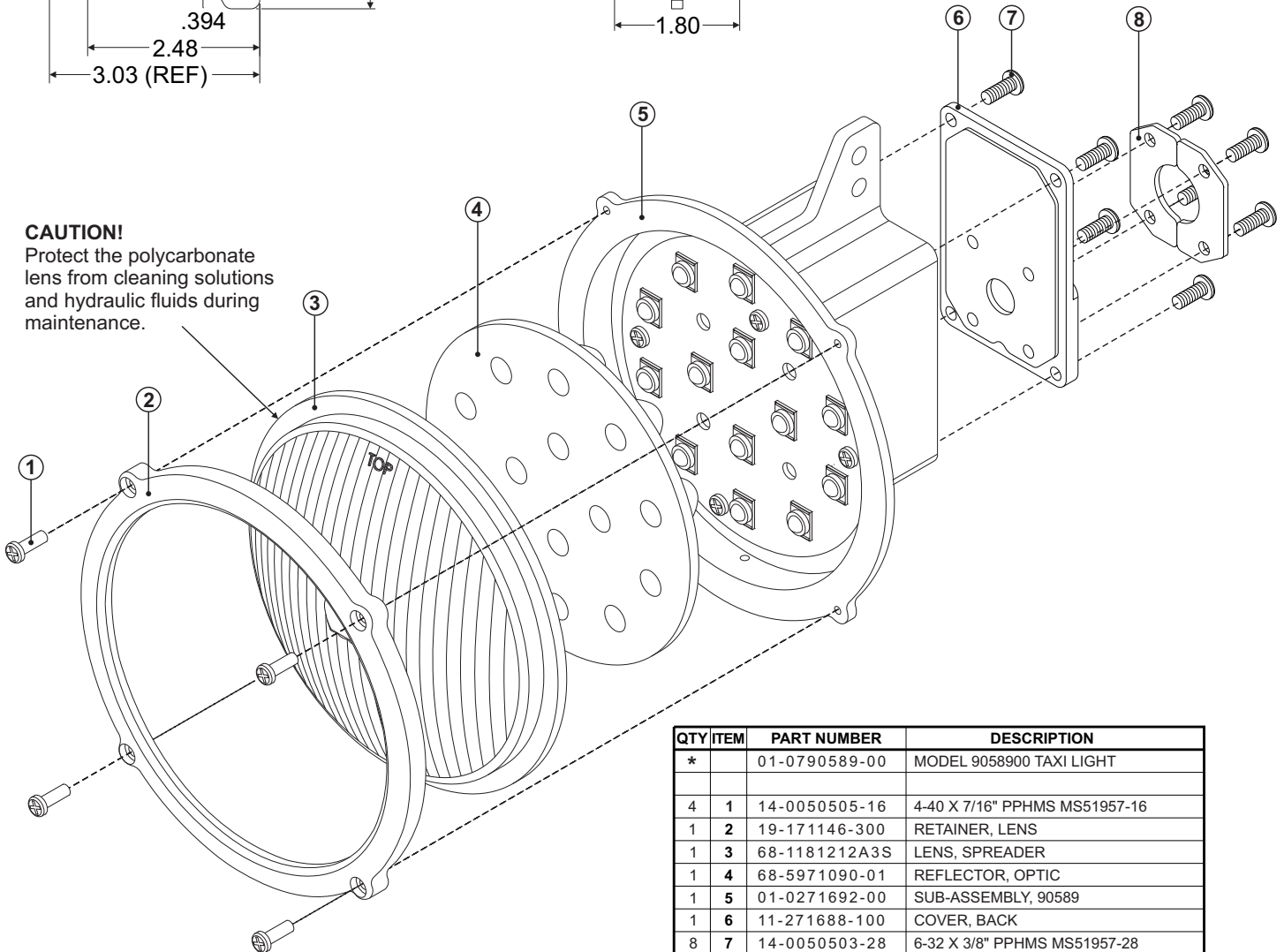
Aviation

**Lens Replacement:**

1. Remove the #4-40 lens retainer screws (Item 1). Remove the retainer and replace the outer lens.
2. When re-assembling, note the longer post on the backside of the reflector (Item 4) mates to the deeper hole of the sub-assembly (Item 5) shown at right.
3. To prevent damage to the lens, do not over-tighten the #4-40 screws. Tighten until there is no gap between the retainer (Item 2) and sub-assembly (Item 5), then torque screws to 3-5 lb/in.



**CAUTION!**  
Protect the polycarbonate lens from cleaning solutions and hydraulic fluids during maintenance.



QTY	ITEM	PART NUMBER	DESCRIPTION
*		01-0790589-00	MODEL 9058900 TAXI LIGHT
4	1	14-0050505-16	4-40 X 7/16" PPHMS MS51957-16
1	2	19-171146-300	RETAINER, LENS
1	3	68-1181212A3S	LENS, SPREADER
1	4	68-5971090-01	REFLECTOR, OPTIC
1	5	01-0271692-00	SUB-ASSEMBLY, 90589
1	6	11-271688-100	COVER, BACK
8	7	14-0050503-28	6-32 X 3/8" PPHMS MS51957-28
2	8	07-531313-005	CLAMP, CABLE