

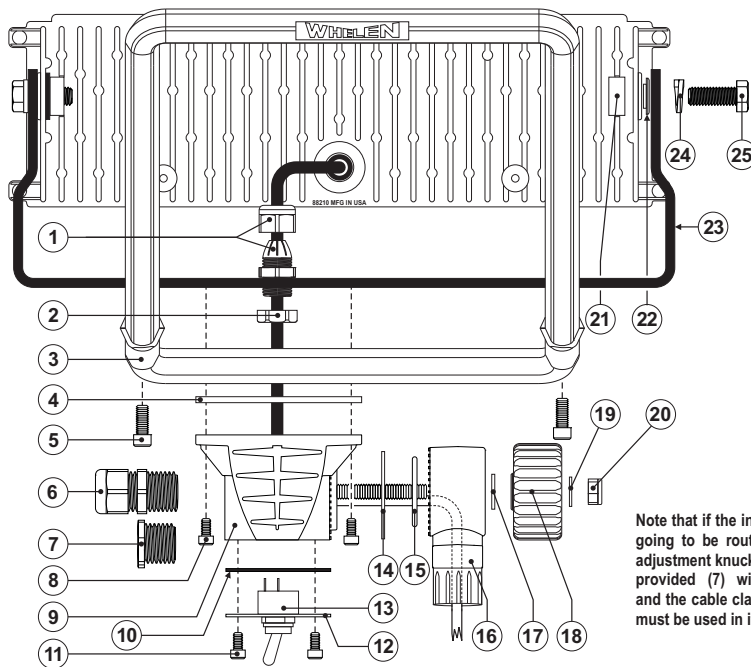
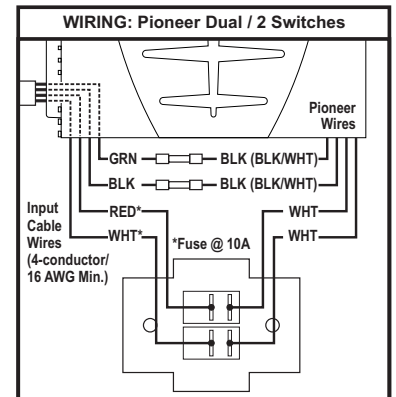
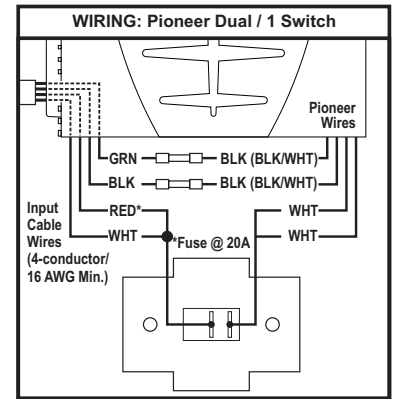
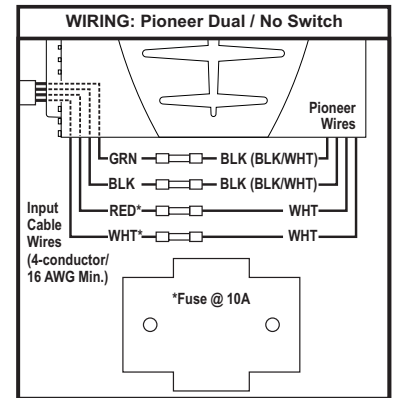
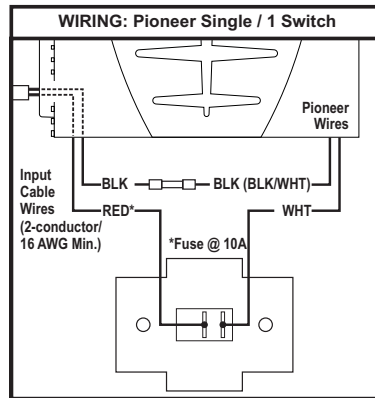
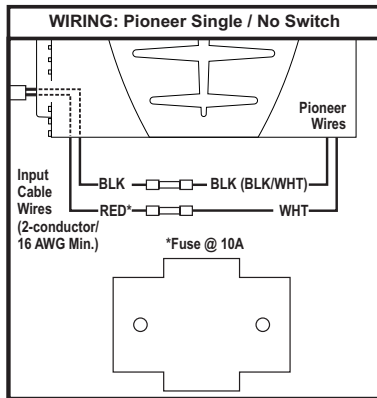
# WHELEN<sup>®</sup>

## ENGINEERING COMPANY INC.

51 Winthrop Road  
 Chester, Connecticut 06412-0684  
 Phone: (860) 526-9504  
 Fax: (860) 526-4078  
 Internet: [www.whelen.com](http://www.whelen.com)  
 Sales e-mail: [autosale@whelen.com](mailto:autosale@whelen.com)  
 Canadian Sales e-mail: [canadiansales@whelen.com](mailto:canadiansales@whelen.com)  
 Customer Service e-mail: [custserv@whelen.com](mailto:custserv@whelen.com)

### Installation Guide: Pole Mounted Knuckle Assembly Pioneer™ (Single & Dual) 12VDC/24VDC

The following will illustrate the assembly of the Pioneer™ knuckle mount. It will also provide the basic wiring required for both the Single and Dual Pioneer™. Please refer to your Pole Mount Guide for final mounting procedures.



Note that if the input cable is not going to be routed through the adjustment knuckle (16), the plug provided (7) will be removed and the cable clamp provided (6) must be used in its place.

- |                    |                   |                   |                |                  |
|--------------------|-------------------|-------------------|----------------|------------------|
| ① Cable Clamp      | ⑥ Cable Clamp     | ⑪ 10-24x3/8 Screw | ⑱ Adj. Knob    | ⑳ Nylon Lock Nut |
| ② Cable Clamp Nut  | ⑦ Plug            | ⑫ Switch Plate    | ⑲ Flat Washer  | ㉑ Square Nut     |
| ③ Handle           | ⑧ 10-24x1/2 Screw | ⑬ Switch          | ⑳ Nylon Washer | ㉒ Spacer         |
| ④ Gasket           | ⑨ Switch Box      | ⑭ Nylon Washer    | ㉑ Flat Washer  | ㉓ Bail Bracket   |
| ⑤ 1/4-20x3/4 Screw | ⑩ Gasket          | ⑮ O-Ring          | ㉒ Nylon Washer | ㉔ Lock Washer    |
|                    |                   |                   | ㉓ Adj. Knuckle | ㉕ Hex Head Screw |

Automotive: Lighthoods