

# WHELEN<sup>®</sup>

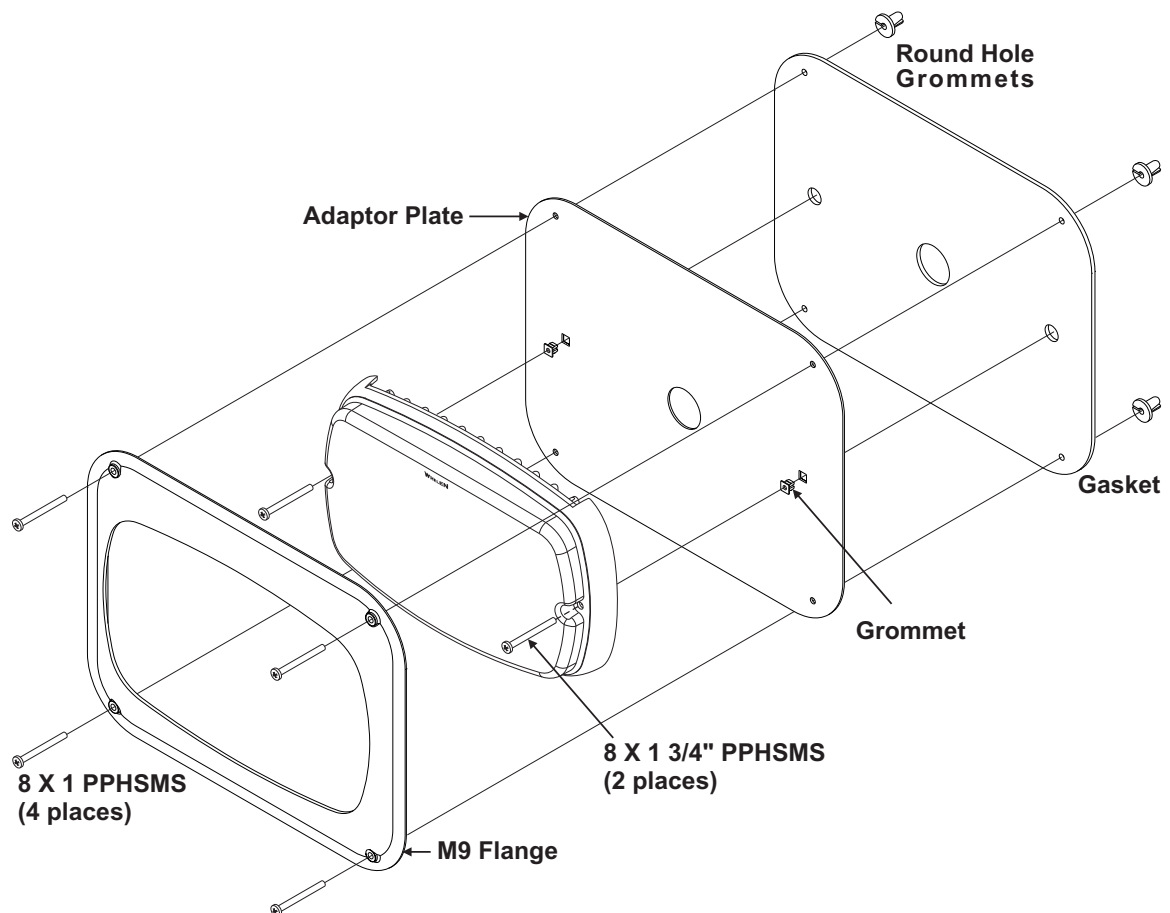
ENGINEERING COMPANY INC.

51 Winthrop Road  
Chester, Connecticut 06412-0684  
Phone: (860) 526-9504  
Fax: (860) 526-4078  
Internet: [www.whelen.com](http://www.whelen.com)  
Sales e-mail: [autosale@whelen.com](mailto:autosale@whelen.com)  
Canadian Sales e-mail: [canadiansales@whelen.com](mailto:canadiansales@whelen.com)  
Customer Service e-mail: [custserv@whelen.com](mailto:custserv@whelen.com)

## Installation Guide: M9 Series to 900 Series Scenelight (Large Opening) Adaptor Flange

### Installation:

1. Remove the existing 900 series lighthead and gasket from the mounting surface.
2. Install the 2 square grommets into the Adaptor Plate as shown.
3. Route the M9 lighthead wires through the wire passage hole. Using the hardware provided secure the M9 lighthead to the adaptor plate.
4. Install the 4, round hole screw grommets into the existing mounting holes.
5. Position the adaptor plate/lighthead assembly onto the gasket. Make sure that this assembly is positioned so that the gasket fits properly.
6. Place this assembly into position on the mounting surface. Now mount the M9 flange onto the lighthead assembly and secure to the mounting surface using the hardware shown.
7. Extend the lighthead wires to your power source and connect as shown in the lighthead manual.



**For warranty information regarding this product, visit [www.whelen.com/warranty](http://www.whelen.com/warranty)**