

WHELEN[®]

ENGINEERING COMPANY INC.

51 Winthrop Road
Chester, Connecticut 06412-0684
Phone: (860) 526-9504
Fax: (860) 526-4078
Internet: www.whelen.com
Sales e-mail: autosale@whelen.com
Canadian Sales e-mail: canadiansales@whelen.com
Customer Service e-mail: custserv@whelen.com

**Installation Guide:
L10 Series Beacon
Pole Mount
Harley-Davidson[®]**

Safety First

This document provides all the necessary information to allow your Whelen product to be properly and safely installed. Before beginning the installation and/or operation of your new product, the installation technician and operator must read this manual completely. Important information is contained herein that could prevent serious injury or damage.

- **Proper installation of this product requires the installer to have a good understanding of automotive electronics, systems and procedures.**
- **Whelen Engineering recommends the use of waterproof butt splices and/or connectors if that connector could be exposed to moisture.**
- **If mounting this product requires drilling holes, the installer MUST be sure that no vehicle components or other vital parts could be damaged by the drilling process. Check both sides of the mounting surface before drilling begins. Also de-burr the holes and remove any metal shards or remnants. Install grommets into all wire passage holes.**
- **If this manual states that this product may be mounted with suction cups, magnets, tape or Velcro[®], clean the mounting surface with a 50/50 mix of isopropyl alcohol and water and dry thoroughly.**
- **Do not install this product or route any wires in the deployment area of your air bag. Equipment mounted or located in the air bag deployment area will damage or reduce the effectiveness of the air bag, or become a projectile that could cause serious personal injury or death. Refer to your vehicle owner's manual for the air bag deployment area. The User/Installer assumes full responsibility to determine proper mounting location, based on providing ultimate safety to all passengers inside the vehicle.**
- **For this product to operate at optimum efficiency, a good electrical connection to chassis ground must be made. The recommended procedure requires the product ground wire to be connected directly to the NEGATIVE (-) battery post (this does not include products that use cigar power cords).**
- **If this product uses a remote device for activation or control, make sure that this device is located in an area that allows both the vehicle and the device to be operated safely in any driving condition.**
- **Do not attempt to activate or control this device in a hazardous driving situation.**
- **This product contains either strobe light(s), halogen light(s), high-intensity LEDs or a combination of these lights. Do not stare directly into these lights. Momentary blindness and/or eye damage could result.**
- **Use only soap and water to clean the outer lens. Use of other chemicals could result in premature lens cracking (crazing) and discoloration. Lenses in this condition have significantly reduced effectiveness and should be replaced immediately. Inspect and operate this product regularly to confirm its proper operation and mounting condition. Do not use a pressure washer to clean this product.**
- **It is recommended that these instructions be stored in a safe place and referred to when performing maintenance and/or reinstallation of this product.**
- **FAILURE TO FOLLOW THESE SAFETY PRECAUTIONS AND INSTRUCTIONS COULD RESULT IN DAMAGE TO THE PRODUCT OR VEHICLE AND/OR SERIOUS INJURY TO YOU AND YOUR PASSENGERS!**

For warranty information regarding this product, visit www.whelen.com/warranty

Specifications:

12V

Input Voltage 12.8 VDC +/- 20%
 Input Current / Peak 1 AMP
 Input Current / Avg. 0.4 AMP

1 Inch (NPT) Pipe Mount:

Threading for a 1" NPT pipe mounting is precast into the base. Feed the power cable through the 1" pipe and connect to wires of beacon. Screw the beacon to the threads on the pipe, taking precaution not to damage the power wires.
NOTE: Do not tighten the base too hard so as not to damage the threads.

Wiring:

WARNING! All customer supplied wires that connect to the positive terminal of the battery must be sized to supply at least 125% of the maximum operating current and FUSED at the battery to carry the load. DO NOT USE CIRCUIT BREAKERS WITH THIS PRODUCT!

This product is polarity sensitive. If the positive and negative wires are reversed the unit will not function. Fuse the positive (RED) wire @ 3 Amps at the battery.

1. Connect the RED wire to positive voltage (+VBAT). A customer supplied single pole/single throw (SPST) switch may be used to control the ON/OFF function of the beacon.
2. Connect the BLK wire on the beacon to chassis ground.

Operation:

Scan-Lock™ (White/Violet):

To use ScanLock™, the beacon must be turned on:

TO CHANGE PATTERNS: To cycle forward to the next available pattern apply +VBAT to the WHT/VIO wire for less than 1 second and release. To cycle back to the previous pattern apply +VBAT to the WHT/VIO wire for more than 1 second and release.

TO CHANGE THE DEFAULT PATTERN: When the desired pattern is displayed, allow it to run for more than 5 seconds. The beacon will now display this pattern when initially activated.

TO RESTORE THE FACTORY DEFAULT PATTERN: With the power to the beacon off, apply +VBAT to the WHT/VIO wire. Now turn power to the beacon on. The factory default pattern should now be displayed.

A normally open momentary switch can be used to control Scan-Lock™ operation.

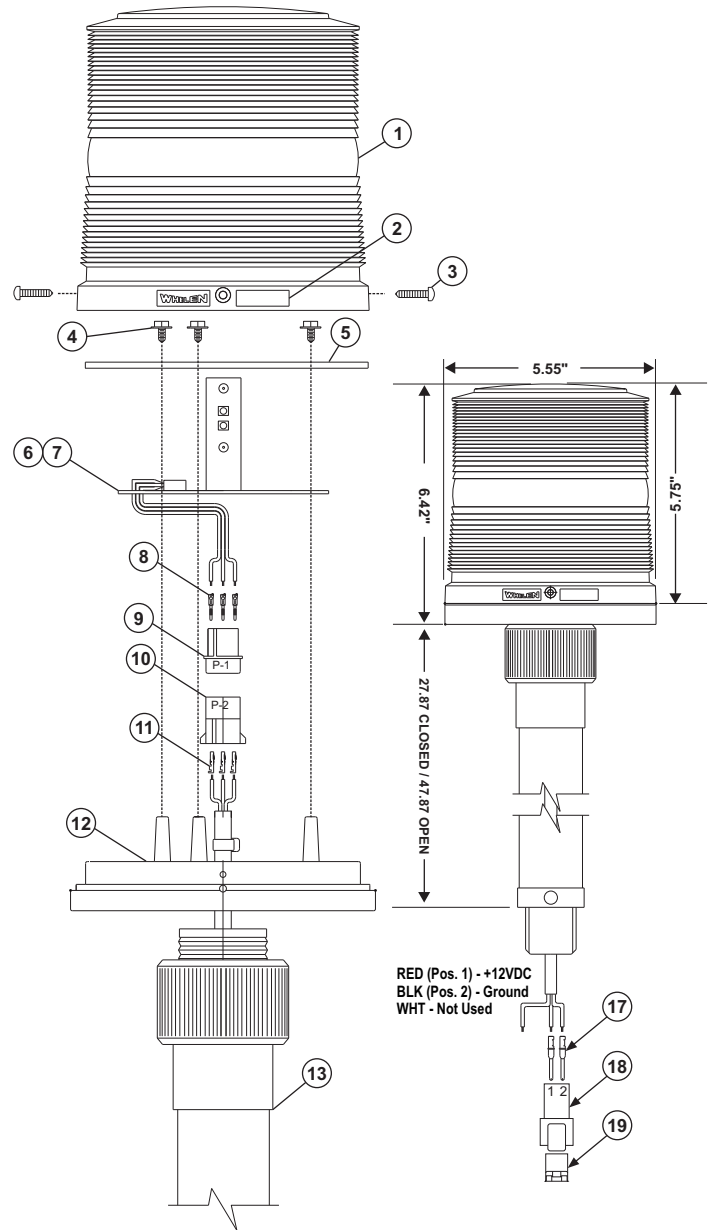
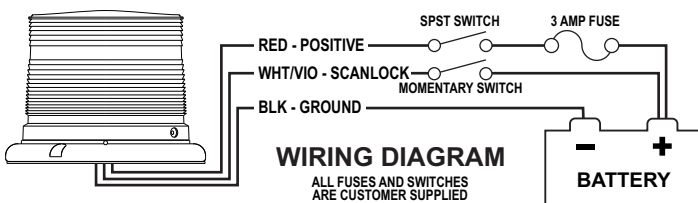
Flash Patterns:

- | | | |
|--------------------|---------------------|---------------------|
| 1. SignalAlert™ 75 | 7. PingPong™ 75 | 13. ComAlert™ 150 |
| 2. CometFlash® 75 | 8. SingleFlash 60 | 14. ActionFlash™ 50 |
| 3. DoubleFlash 75 | 9. SingleFlash 90 | 15. ActionFlash 150 |
| 4. SingleFlash 75 | 10. SingleFlash 120 | 16. ModuFlash™ |
| 5. ComAlert™ 75 | 11. SingleFlash 300 | 17. ActionScan™ |
| 6. LongBurst™ 75 | 12. DoubleFlash 150 | 18. Steady |

IMPORTANT: It is the responsibility of the installation technician to make sure that the installation and operation of this product will not interfere with or compromise the operation or efficiency of any vehicle equipment! Permanent mounting of this product will require drilling. It is absolutely necessary to make sure that no other vehicle components could be damaged by this process. Check both sides of the mounting surface before starting. If damage is likely, select a different mounting location.

IMPORTANT WARNING!

CAUTION! DO NOT LOOK DIRECTLY AT THESE LED'S WHILE THEY ARE ON. MOMENTARY BLINDNESS AND/OR EYE DAMAGE COULD RESULT!



QTY	ITEM	PART NUMBER	DESCRIPTION
*		01-0687137-0	L10 BEACON POLE MOUNT MOTORCYCLE
1	1	68-2180483-__	DOME, LENS (SAE) WITH WHELEN LOGO
1	2	10-0523676-__	LABEL
2	3	15-065419-080	SCREW, 6 X 1/2 PPH PLASTI 410 SS
3	4	15-066939-056	#6 x 5/16" HEX WSHR HD. THD. FORMING SCREW
1	5	38-0441331-00	O RING, ROTATING BEACON
A/R	6	01-026D444-21	ASSY, ELECT L10 4LED/BLST BLU 12V
A/R	7	01-026D444-51	ASSY, ELECT L10 4LED/BLST RED 12V
3	8	39-0501316-04	PIN, 20-14 AWG, .084 REEL COMM MATE-N-LOK, BRASS
1	9	39-0403013-04	HOUSING, 3 POS PIN COMM MATE-N-LOK
1	10	39-0403023-04	HOUSING, 3 POS SOCKET COMM MATE-N-LOK
3	11	39-0501326-04	SOCKET, 20-14 AWG, .084 REEL COMM MATE-N-LOK, BRASS
1	12	06-144281-000	BASE, L10 POLE MOUNT, ALTERED
1	13	43-0840966-02	TELESCOPIC POLE W/GLUED INSERT
1	14	21-11404812-0	GROMMET, 1 1/4 ID, 1 7/8 OD
2	15	13-M33120-27F	NUT, 25mm HEX THIN JAM SS
1	16	16-2304820-12	WASHER, FLAT 1" ID, 1.5" OD
2	17	39-1H00316-35	PIN, WATERPROOF
1	18	39-1H18506-P2	HOUSING, PIN 2 POS WATERPROOF
1	19	39-1H16424-2P	WEDGE, PIN 2 POS WATERPROOF DEUTSCH

01-0687137-0 — DOME/LED COLOR B = BLUE/BLUE R = RED/RED