

# WHELEN<sup>®</sup>

ENGINEERING COMPANY INC.

51 Winthrop Road  
Chester, Connecticut 06412-0684  
Phone: (860) 526-9504  
Fax: (860) 526-4078  
Internet: [www.whelen.com](http://www.whelen.com)  
Sales e-mail: [autosale@whelen.com](mailto:autosale@whelen.com)  
Canadian Sales e-mail: [canadiansales@whelen.com](mailto:canadiansales@whelen.com)  
Customer Service e-mail: [custserv@whelen.com](mailto:custserv@whelen.com)

## Installation Guide: Pioneer Pole Pedestal Mount

### Safety First

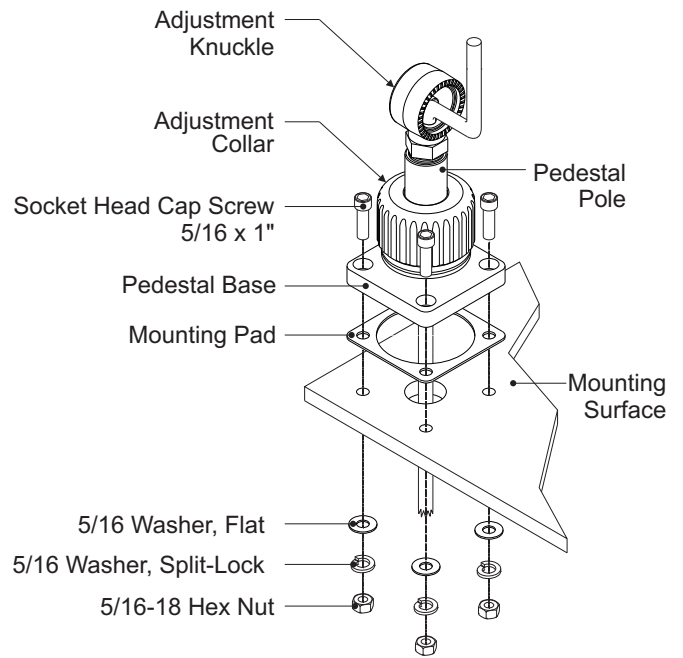
This document provides all the necessary information to allow your Whelen product to be properly and safely installed. Before beginning the installation and/or operation of your new product, the installation technician and operator must read this manual completely. Important information is contained herein that could prevent serious injury or damage.

- **Proper installation of this product requires the installer to have a good understanding of automotive electronics, systems and procedures.**
- **Failure to use specified installation parts and/or hardware will void the product warranty!**
- **If mounting this product requires drilling holes, the installer MUST be sure that no vehicle components or other vital parts could be damaged by the drilling process. Check both sides of the mounting surface before drilling begins. Also de-burr any holes and remove any metal shards or remnants. Install grommets into all wire passage holes.**
- **If this manual states that this product may be mounted with suction cups, magnets, tape or Velcro®, clean the mounting surface with a 50/50 mix of isopropyl alcohol and water and dry thoroughly.**
- **Do not install this product or route any wires in the deployment area of your air bag. Equipment mounted or located in the air bag deployment area will damage or reduce the effectiveness of the air bag, or become a projectile that could cause serious personal injury or death. Refer to your vehicle owner's manual for the air bag deployment area. The User/Installer assumes full responsibility to determine proper mounting location, based on providing ultimate safety to all passengers inside the vehicle.**
- **For this product to operate at optimum efficiency, a good electrical connection to chassis ground must be made. The recommended procedure requires the product ground wire to be connected directly to the NEGATIVE (-) battery post.**
- **If this product uses a remote device to activate or control this product, make sure that this control is located in an area that allows both the vehicle and the control to be operated safely in any driving condition.**
- **Do not attempt to activate or control this device in a hazardous driving situation.**
- **This product contains either strobe light(s), halogen light(s), high-intensity LEDs or a combination of these lights. Do not stare directly into these lights. Momentary blindness and/or eye damage could result.**
- **Use only soap and water to clean the outer lens. Use of other chemicals could result in premature lens cracking (crazing) and discoloration. Lenses in this condition have significantly reduced effectiveness and should be replaced immediately. Inspect and operate this product regularly to confirm its proper operation and mounting condition. Do not use a pressure washer to clean this product.**
- **It is recommended that these instructions be stored in a safe place and referred to when performing maintenance and/or reinstallation of this product.**
- **FAILURE TO FOLLOW THESE SAFETY PRECAUTIONS AND INSTRUCTIONS COULD RESULT IN DAMAGE TO THE PRODUCT OR VEHICLE AND/OR SERIOUS INJURY TO YOU AND YOUR PASSENGERS!**

**For warranty information regarding this product, visit [www.whelen.com/warranty](http://www.whelen.com/warranty)**

### Pedestal Mount (through body).....

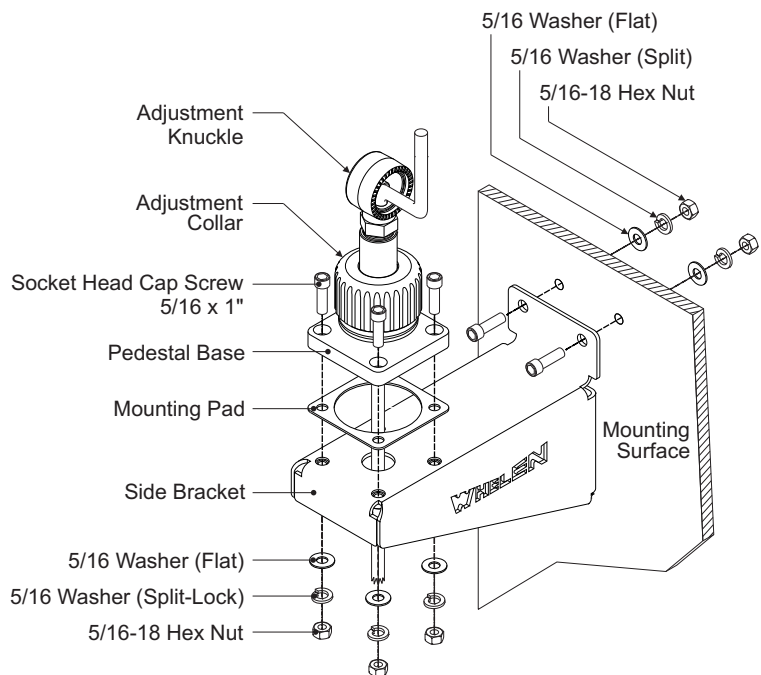
1. Position the pedestal assembly against the proposed mounting surface and trace the outline of the pedestal onto the mounting surface.
2. Locate the center of this outline and drill a 1" dia. hole into the mounting surface. Be sure to de-burr this hole before continuing.
3. Feed the wires coming out of the bottom of the pedestal assembly through the hole drilled in step 2.
4. With the pedestal centered on the hole drilled in step 2, and using the pedestal base as a template, mark the locations of the 4 mounting holes to be drilled.
5. Using a drill bit sized for 5/16" mounting hardware (included), drill and de-burr the four mounting holes marked in the previous step.
6. If the Pioneer is already mounted onto the adjustment knuckle, proceed to step 11.
7. Following the instructions included with your Pioneer, connect the electrical cable included with your mounting kit to your Pioneer lighthouse.
8. As shown, route this cable from the lighthouse, down through the Adjustment Knuckle, Adjustment Collar, Pedestal Pole and Pedestal Base.
9. Install the Adjustment Knuckle onto the Pedestal Pole. Using wrenches, tighten this union firmly. It may be necessary to unscrew the Adjustment Collar to hold the machined flat section of the Pedestal Pole with a wrench.
10. Position the Pedestal Pole into the Pedestal base and secure by tightening the Adjustment Collar. Tighten the strain relief to lock the cable in place.
11. Using the illustration shown as a guide, secure the pedestal assembly to the mounting surface using the hardware provided. Be sure the mounting pad is positioned between the mounting surface and the pedestal assembly.
12. Using the wiring information provided with your Pioneer lighthouse as a guide connect the Pioneer assembly to power.
13. Test the lighthouse for proper operation before returning the vehicle to active duty.



**Pedestal Mount  
(Through Body)**

### Pedestal Mount (Side Bracket).....

1. Position the Side Bracket against the proposed mounting surface as shown and mark the locations of the two mounting holes for the side bracket.
2. Using a drill bit sized for 5/16" mounting hardware (included), drill and de-burr the mounting holes marked in the previous step.
3. Using the hardware provided, secure the side bracket to the mounting surface as shown. Following the instructions included with your Pioneer, connect the electrical cable included with your mounting kit to your Pioneer lighthouse.
4. If the Pioneer is already mounted onto the adjustment knuckle, proceed to step 8.
5. As shown, route this cable from the lighthouse, down through the Adjustment Knuckle, Adjustment Collar, Pedestal Pole and Pedestal Base.
6. Install the Adjustment Knuckle onto the Pedestal Pole. Using wrenches, tighten this union firmly. It may be necessary to unscrew the Adjustment Collar to hold the machined flat section of the Pedestal Pole with a wrench.
7. Position the Pedestal Pole into the Pedestal base and secure by tightening the Adjustment Collar. Tighten the strain relief to lock the cable in place.
8. Using the illustration shown as a guide, secure the pedestal assembly to the side bracket using the hardware provided. Be sure the mounting pad is positioned between the mounting surface and the pedestal assembly.
9. Feed the Pioneer wires from the bottom of the pedestal assembly through the side bracket as shown and secure the pedestal assembly to the bracket using the hardware provided.
10. Using the illustration shown as a guide, secure the pedestal assembly to the mounting surface using the hardware provided. Be sure the mounting pad is positioned between the mounting surface and the pedestal assembly.
11. Install the adjustment knuckle and mounting collar onto your Pioneer light assembly. Route the lighthouse-end of the power cable through the mounting collar and adjustment knuckle as shown.



**Pedestal Mount  
(Side Bracket)**