

## WHELEN<sup>®</sup> ENGINEERING COMPANY INC.

51 Winthrop Road  
 Chester, Connecticut 06412-0684  
 Phone: (860) 526-9504  
 Fax: (860) 526-4078  
 Internet: [www.whelen.com](http://www.whelen.com)  
 Sales e-mail: [autosale@whelen.com](mailto:autosale@whelen.com)  
 Canadian Sales e-mail: [canadiansales@whelen.com](mailto:canadiansales@whelen.com)  
 Customer Service e-mail: [custserv@whelen.com](mailto:custserv@whelen.com)

Installation Guide:  
**Model SAK46 for Projector™ Series SA315**  
**Model HWLCI12 for Howler™ Siren Speaker**  
**Mounting to the 2012 Chevy Impala**

**DANGER!** Sirens produce extremely loud emergency warning tones! Exposure to these tones without proper and adequate hearing protection, could cause ear damage and/or hearing loss! The Occupational Safety & Health Administration ([www.osha.gov](http://www.osha.gov)) provides information necessary to determine safe exposure times in Occupational Noise Exposure Section 1910.95. Until you have determined the safe exposure times for your specific application, operators and anyone else in the immediate vicinity should be required to wear an approved hearing protection device. **FAILURE TO FOLLOW THIS RECOMMENDATION COULD CAUSE HEARING LOSS!**

### Safety First

This document provides all the necessary information to allow your Whelen product to be properly and safely installed. Before beginning the installation and/or operation of your new product, the installation technician and operator must read this manual completely. Important information is contained herein that could prevent serious injury or damage.

- Proper installation of this product requires the installer to have a good understanding of automotive electronics, systems and procedures.
- Failure to use specified installation parts and/or hardware will void the product warranty!
- If mounting this product requires drilling holes, the installer **MUST** be sure that no vehicle components or other vital parts could be damaged by the drilling process. Check both sides of the mounting surface before drilling begins. Also de-burr any holes and remove any metal shards or remnants. Install grommets into all wire passage holes.
- If this manual states that this product may be mounted with suction cups, magnets, tape or Velcro®, clean the mounting surface with a 50/50 mix of isopropyl alcohol and water and dry thoroughly.
- Do not install this product or route any wires in the deployment area of your air bag. Equipment mounted or located in the air bag deployment area will damage or reduce the effectiveness of the air bag, or become a projectile that could cause serious personal injury or death. Refer to your vehicle owner's manual for the air bag deployment area. The User/Installer assumes full responsibility to determine proper mounting location, based on providing ultimate safety to all passengers inside the vehicle.
- For this product to operate at optimum efficiency, a good electrical connection to chassis ground must be made. The recommended procedure requires the product ground wire to be connected directly to the **NEGATIVE (-)** battery post.
- If this product uses a remote device to activate or control this product, make sure this control is located in an area that allows both the vehicle and the control to be operated safely in any driving condition. **DO NOT ATTEMPT TO ACTIVATE OR CONTROL THIS DEVICE IN A HAZARDOUS DRIVING SITUATION.**
- It is recommended that these instructions be stored in a safe place and referred to when performing maintenance and/or reinstallation of this product.
- **FAILURE TO FOLLOW THESE SAFETY PRECAUTIONS AND INSTRUCTIONS COULD RESULT IN DAMAGE TO THE PRODUCT OR VEHICLE AND/OR SERIOUS INJURY TO YOU AND YOUR PASSENGERS!**

**ACTIVATION OF THIS SIREN MAY DAMAGE UNPROTECTED EARS!**



**CAUTION**

Loud siren noise can cause hearing damage and/or loss. Refer to OSHA Section 1910.95 prior to putting ANY siren into service!

**For warranty information regarding this product, visit [www.whelen.com/warranty](http://www.whelen.com/warranty)**

## Model SAK46 / Mounting the SA315 siren speaker to the bracket:

Mount the SA315 siren speaker to its bracket (Fig. 1). The SA315 mounting kit comes with 3 long screws (1/4-20 X 1-1/4" PHILLIPS FLAT HEAD METAL SCREWS) Longer screws are necessary to go through the mounting bracket, the siren housing and into the siren driver. They will replace 1 of the 2 short screws ("A") that now secure the driver to the speaker housing when your speaker is shipped. A short screw must be used in the hole that does not go through the bracket to properly secure the driver to the housing. If you remove all 4 screws at once be sure to hold the driver in place.

**IMPORTANT:** The SA315 speaker must be oriented so the wire passage hole is in the "6 o'clock" position (closest to the road). This is also the drain hole. Improper mounting will result in premature driver failure and void the warranty.

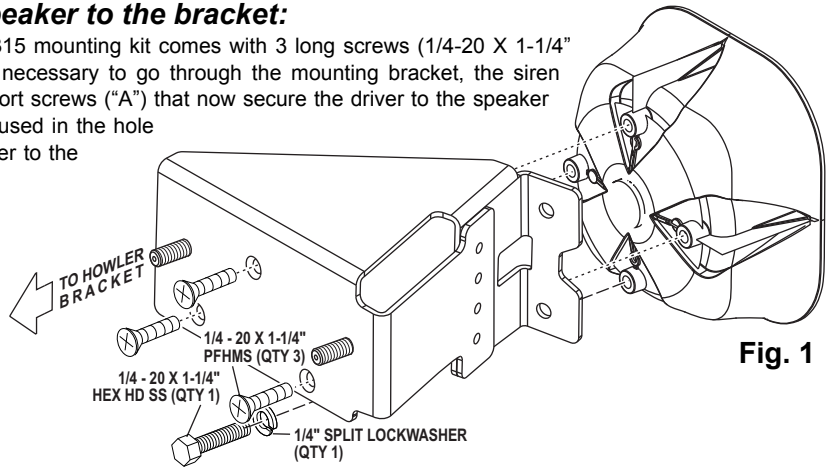
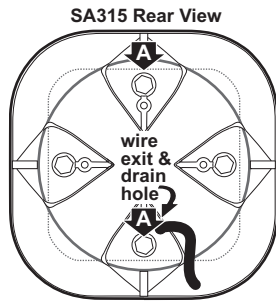


Fig. 1

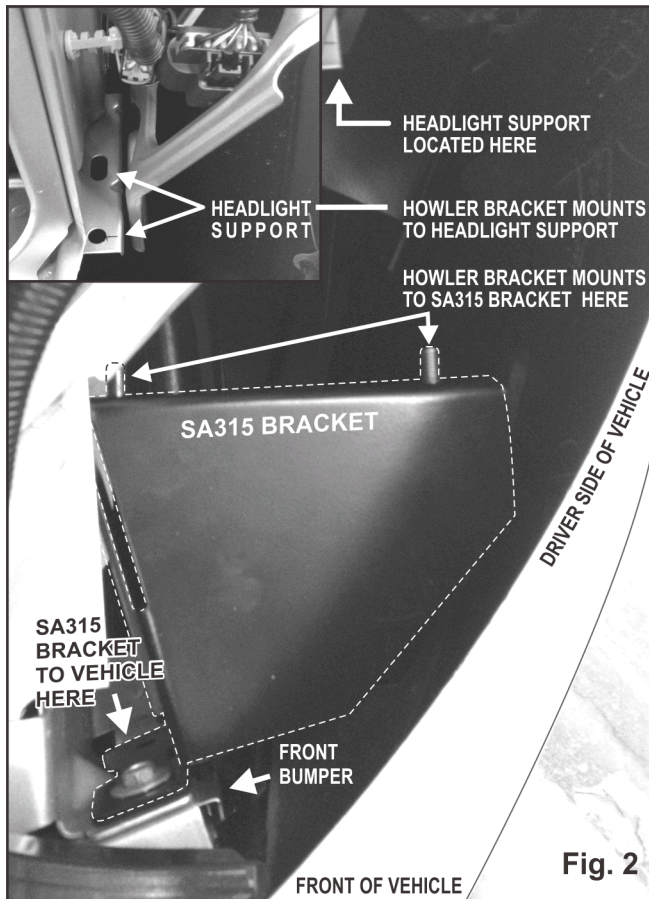


Fig. 2

## Mounting the SA315 bracket to the vehicle:

1. Unplug and remove the driver side headlight assembly from the vehicle following manufacturers instructions.
2. Remove the 2 bolts which help secure the bumper (Fig. 2) and secure the bracket to the vehicle where the bumper mounts using these 2 bolts.
3. Extend the WHITE (Positive) and Black (Negative) wires to your siren amplifier and connect as instructed in the amplifier manual. Reinstall the headlight assembly.

## Model HWLC12 (requires SAK46) Mounting the Howler speaker and bracket:

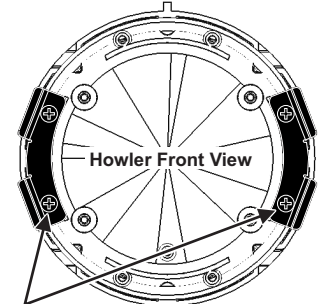
### IMPORTANT! READ THESE WARNINGS BEFORE CONTINUING!

The Howler™ Supplemental Siren was designed for use in high-risk areas such as an intersection. It is not intended to be, nor should be operated as a replacement or alternative to the vehicle's primary siren. The low-frequency tones of the Howler demonstrate significantly different audio characteristics as compared to those of a traditional higher-frequency siren. While the low-frequency tones are better able to penetrate other vehicles, thus alerting drivers to the presence of the responding emergency vehicle, these tones may also penetrate into the responding vehicle itself. This could potentially expose the operator to increased noise levels.

To help eliminate overexposure, the Howler siren has been designed with a built-in timing circuit. The Occupational Safety & Health Administration (OSHA) ([www.osha.gov](http://www.osha.gov)) provides information necessary to determine safe exposure times in Noise and Hearing Conservation, Section 1910.95 (Occupational Noise Exposure). Until you have determined the safe exposure times for your specific application, this siren should be configured for the minimum operating time and operators should be required to use an approved hearing protection device. **FAILURE TO FOLLOW THIS RECOMMENDATION COULD CAUSE HEARING LOSS!**

1. Mount the Howler to the bracket using the supplied 5/16 X 1" HEX HD SHEET METAL SCREWS. **The Howler must be mounted with the drainage holes on the bottom.**
2. Mount the Howler bracket to the back of the SA315 bracket with the supplied 5/16 HEX HEAD BOLTS, 5/16 FLAT WASHERS AND 5/16 ELASTIC STOP NUTS (Figs. 2 & 3).
3. Secure the Howler bracket to the vehicle headlight support using the supplied 5/16 - 18 X 1" HEX HEAD BOLTS, 5/16 FLAT WASHERS AND 5/16 ELASTIC STOP NUTS (Figs. 2 & 3).
4. Extend the WHITE (Positive) and Black (Negative) wires to your siren amplifier and connect as instructed in the siren manual.

NOTE: If strap retainer brackets are present on your Howler speaker, they must be removed for this installation.



Remove 4 screws and remove brackets.

Fig. 3

