

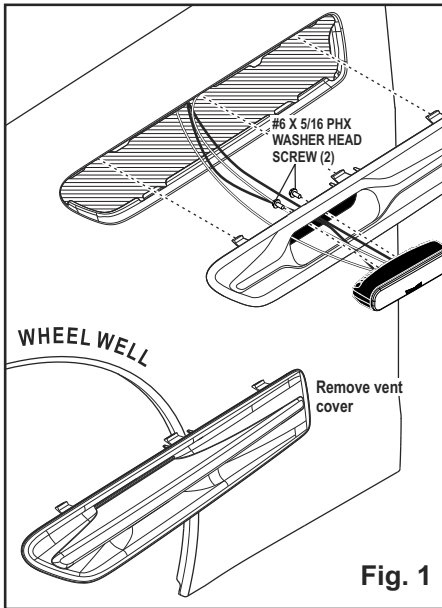
# WHELEN<sup>®</sup>

ENGINEERING COMPANY INC.

51 Winthrop Road,  
Chester, Connecticut 06412-0684  
Phone: (860) 526-9504  
Fax: (860) 526-4078

## Installation Guide: SideKick™ Super-LED® Fender Lights 2011 - 2012 Chevrolet Caprice

Internet: [www.whelen.com](http://www.whelen.com)  
Sales e-mail: [autosale@whelen.com](mailto:autosale@whelen.com)  
Canadian Sales e-mail: [canadiansales@whelen.com](mailto:canadiansales@whelen.com)  
Customer Service e-mail: [custserv@whelen.com](mailto:custserv@whelen.com)



©2012 Whelen Engineering Company Inc.  
Form No. 14574A (121815)

### Installation 2011 - 2012 Chevrolet Caprice:

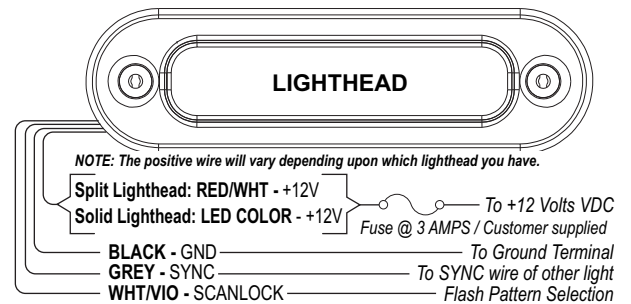
1. Remove the vent panel following manufacturers instructions (Fig. 1).
2. Install the ION™ lighthead into the SideKick™ panel using the 2 supplied screws.
3. Extend the lighthead wires to your power source and snap the panel into the vent panel opening.

### Connecting the Lighthead to Power:

Route the lighthead wires along the same path as the vehicle's main power cable and connect to power.

**WARNING: All customer supplied wires that connect to the positive terminal of the battery must be sized to supply at least 125% of the maximum operating current and FUSED at the battery to carry that load.**

**DO NOT USE CIRCUIT BREAKERS WITH THIS PRODUCT!**



For warranty information regarding this product, visit [www.whelen.com/warranty](http://www.whelen.com/warranty)

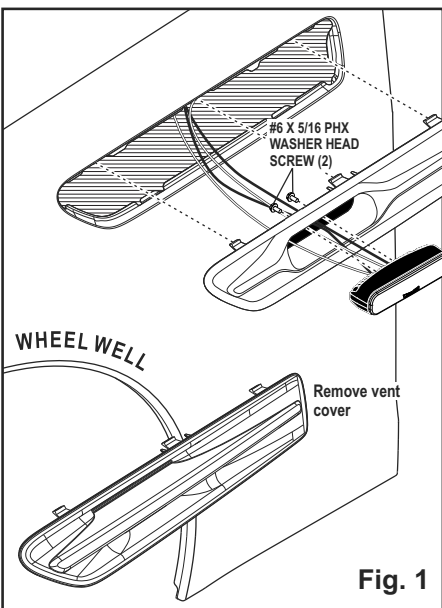
# WHELEN<sup>®</sup>

ENGINEERING COMPANY INC.

51 Winthrop Road,  
Chester, Connecticut 06412-0684  
Phone: (860) 526-9504  
Fax: (860) 526-4078

## Installation Guide: SideKick™ Super-LED® Fender Lights 2011 - 2012 Chevrolet Caprice

Internet: [www.whelen.com](http://www.whelen.com)  
Sales e-mail: [autosale@whelen.com](mailto:autosale@whelen.com)  
Canadian Sales e-mail: [canadiansales@whelen.com](mailto:canadiansales@whelen.com)  
Customer Service e-mail: [custserv@whelen.com](mailto:custserv@whelen.com)



©2012 Whelen Engineering Company Inc.  
Form No. 14574A (121815)

### Installation 2011 - 2012 Chevrolet Caprice:

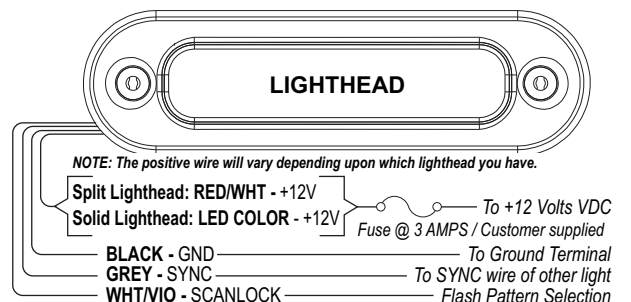
1. Remove the vent panel following manufacturers instructions (Fig. 1).
2. Install the ION™ lighthead into the SideKick™ panel using the 2 supplied screws.
3. Extend the lighthead wires to your power source and snap the panel into the vent panel opening.

### Connecting the Lighthead to Power:

Route the lighthead wires along the same path as the vehicle's main power cable and connect to power.

**WARNING: All customer supplied wires that connect to the positive terminal of the battery must be sized to supply at least 125% of the maximum operating current and FUSED at the battery to carry that load.**

**DO NOT USE CIRCUIT BREAKERS WITH THIS PRODUCT!**



For warranty information regarding this product, visit [www.whelen.com/warranty](http://www.whelen.com/warranty)

## Operation:

**Scan-Lock™ (WHT/VIO)** - Note: The light must be on to change patterns.

**To advance to next pattern:** Apply +VDC to the WHT/VIO wire for less than 1 second.

**To cycle backwards:** Apply +VDC to the WHT/VIO wire for more than 1 second.

**To reset to the factory default pattern:** Turn off power to the light. While applying +VDC to the WHT/VIO wire, turn the light back on. Continue to apply voltage for 5 seconds.

**SYNC (GREY)** - Lights configured to display the Phase 1 mode of a pattern will flash simultaneously. Lights configured to display the Phase 2 mode will alternate with any Phase 1 lights with the same pattern.

To sync two lights, configure both lights to display the same Phase 1 pattern. Turn power off and connect the GREY wires from each light together. When the lights are activated, their patterns will be synchronized. To configure the two lights to alternate their patterns, advance the pattern of either lights to Phase 2 of the current pattern. The same concept applies to Phases 3 and 4.

**IMPORTANT: It is the responsibility of the installation technician to make sure that the installation and operation of this product will not interfere with or compromise the operation or efficiency of any vehicle equipment!**

### IMPORTANT WARNING!

**CAUTION! DO NOT LOOK DIRECTLY AT THESE LED'S WHILE THEY ARE ON. MOMENTARY BLINDNESS AND/OR EYE DAMAGE COULD RESULT!**

#### Flash Patterns / Regular LED:

- |                        |                       |                     |                      |
|------------------------|-----------------------|---------------------|----------------------|
| 1. SignalAlert™ 75PH 1 | 8. SingleFlash 75PH 2 | 15. SingleFlash 60  | 22. ActionFlash™ 150 |
| 2. SignalAlert™ 75PH 2 | 9. ComAlert™ 75PH 1   | 16. SingleFlash 90  | 23. ModuFlash™       |
| 3. CometFlash® 75PH 1  | 10. ComAlert™ 75PH 2  | 17. SingleFlash 120 | 24. ActionScan™      |
| 4. CometFlash 75PH 2   | 11. LongBurst™ 75PH 1 | 18. SingleFlash 300 | 25. Steady           |
| 5. DoubleFlash 75PH 1  | 12. LongBurst 75PH 2  | 19. DoubleFlash 150 |                      |
| 6. DoubleFlash 75PH 2  | 13. PingPong™ 75PH 1  | 20. ComAlert™ 150   |                      |
| 7. SingleFlash 75PH 1  | 14. PingPong 75PH 2   | 21. ActionFlash™ 50 |                      |

#### Flash Patterns / Split LED:

- |                           |                             |                              |
|---------------------------|-----------------------------|------------------------------|
| 1. SignalAlert™ 75 (PH 1) | 24. LongBurst 75 (PH 4)     | 47. ModuFlash™ (Alt.)        |
| 2. SignalAlert™ 75 (PH 2) | 25. PingPong™ 75 (PH 1)     | 48. ModuFlash™ (Sim.)        |
| 3. SignalAlert™ 75 (PH 3) | 26. PingPong™ 75 (PH 2)     | 49. DoubleFlash 120 (Alt.)   |
| 4. SignalAlert™ 75 (PH 4) | 27. PingPong™ 75 (PH 3)     | 50. DoubleFlash 120 (Sim.)   |
| 5. CometFlash® 75 (PH 1)  | 28. PingPong™ 75 (PH 4)     | 51. PingPong™ 120 (Alt.)     |
| 6. CometFlash 75 (PH 2)   | 29. SSNF 75 (PH 1)          | 52. PingPong™ 120 (Sim.)     |
| 7. CometFlash 75 (PH 3)   | 30. SSNF 75 (PH 2)          | 53. TripleFlash™ 75 (Alt.)   |
| 8. CometFlash 75 (PH 4)   | 31. SingleFlash 60 (Alt.)   | 54. TripleFlash 75 (Sim.)    |
| 9. DoubleFlash 75 (PH 1)  | 32. SingleFlash 60 (Sim.)   | 55. TripleFlash 120 (Alt.)   |
| 10. DoubleFlash 75 (PH 2) | 33. SingleFlash 90 (Alt.)   | 56. TripleFlash 120 (Sim.)   |
| 11. DoubleFlash 75 (PH 3) | 34. SingleFlash 90 (Sim.)   | 57. SigAlert Cal.™ (Alt.)    |
| 12. DoubleFlash 75 (PH 4) | 35. SingleFlash 120 (Alt.)  | 58. SigAlert Cal. (Sim.)     |
| 13. SingleFlash 75 (PH 1) | 36. SingleFlash 120 (Sim.)  | 59. Action SF 60/120 (Alt.)  |
| 14. SingleFlash 75 (PH 2) | 37. SingleFlash 300 (Alt.)  | 60. Action SF 60/120 (Sim.)  |
| 15. SingleFlash 75 (PH 3) | 38. SingleFlash 300 (Sim.)  | 61. Action SF60/TF120 (Alt.) |
| 16. SingleFlash 75 (PH 4) | 39. DoubleFlash 150 (Alt.)  | 62. Action SF60/TF120 (Sim.) |
| 17. ComAlert™ 75 (PH 1)   | 40. DoubleFlash 150 (Sim.)  | 63. CalScan™ (Alt./Sim.)     |
| 18. ComAlert™ 75 (PH 2)   | 41. ComAlert™ 150 (Alt.)    | 64. ActionScan™ (Alt./Sim.)  |
| 19. ComAlert™ 75 (PH 3)   | 42. ComAlert™ 150 (Sim.)    | 65. SteadyFlash 60           |
| 20. ComAlert™ 75 (PH 4)   | 43. ActionFlash™ 50 (Alt.)  | 66. SteadyFlash 75           |
| 21. LongBurst™ 75 (PH 1)  | 44. ActionFlash™ 50 (Sim.)  | 67. SteadyFlash 90           |
| 22. LongBurst™ 75 (PH 2)  | 45. ActionFlash™ 150 (Alt.) | 68. SteadyFlash 120          |
| 23. LongBurst™ 75 (PH 3)  | 46. ActionFlash™ 150 (Sim.) | 69. Steady & Steady          |

NOTE: BOLD = CA. Title XIII Compliant Pattern / *Italic* = SYNC Pattern / PH = Phase

## Operation:

**Scan-Lock™ (WHT/VIO)** - Note: The light must be on to change patterns.

**To advance to next pattern:** Apply +VDC to the WHT/VIO wire for less than 1 second.

**To cycle backwards:** Apply +VDC to the WHT/VIO wire for more than 1 second.

**To reset to the factory default pattern:** Turn off power to the light. While applying +VDC to the WHT/VIO wire, turn the light back on. Continue to apply voltage for 5 seconds.

**SYNC (GREY)** - Lights configured to display the Phase 1 mode of a pattern will flash simultaneously. Lights configured to display the Phase 2 mode will alternate with any Phase 1 lights with the same pattern.

To sync two lights, configure both lights to display the same Phase 1 pattern. Turn power off and connect the GREY wires from each light together. When the lights are activated, their patterns will be synchronized. To configure the two lights to alternate their patterns, advance the pattern of either lights to Phase 2 of the current pattern. The same concept applies to Phases 3 and 4.

**IMPORTANT: It is the responsibility of the installation technician to make sure that the installation and operation of this product will not interfere with or compromise the operation or efficiency of any vehicle equipment!**

### IMPORTANT WARNING!

**CAUTION! DO NOT LOOK DIRECTLY AT THESE LED'S WHILE THEY ARE ON. MOMENTARY BLINDNESS AND/OR EYE DAMAGE COULD RESULT!**

#### Flash Patterns / Regular LED:

- |                        |                       |                     |                      |
|------------------------|-----------------------|---------------------|----------------------|
| 1. SignalAlert™ 75PH 1 | 8. SingleFlash 75PH 2 | 15. SingleFlash 60  | 22. ActionFlash™ 150 |
| 2. SignalAlert™ 75PH 2 | 9. ComAlert™ 75PH 1   | 16. SingleFlash 90  | 23. ModuFlash™       |
| 3. CometFlash® 75PH 1  | 10. ComAlert™ 75PH 2  | 17. SingleFlash 120 | 24. ActionScan™      |
| 4. CometFlash 75PH 2   | 11. LongBurst™ 75PH 1 | 18. SingleFlash 300 | 25. Steady           |
| 5. DoubleFlash 75PH 1  | 12. LongBurst 75PH 2  | 19. DoubleFlash 150 |                      |
| 6. DoubleFlash 75PH 2  | 13. PingPong™ 75PH 1  | 20. ComAlert™ 150   |                      |
| 7. SingleFlash 75PH 1  | 14. PingPong 75PH 2   | 21. ActionFlash™ 50 |                      |

#### Flash Patterns / Split LED:

- |                           |                             |                              |
|---------------------------|-----------------------------|------------------------------|
| 1. SignalAlert™ 75 (PH 1) | 24. LongBurst 75 (PH 4)     | 47. ModuFlash™ (Alt.)        |
| 2. SignalAlert™ 75 (PH 2) | 25. PingPong™ 75 (PH 1)     | 48. ModuFlash™ (Sim.)        |
| 3. SignalAlert™ 75 (PH 3) | 26. PingPong™ 75 (PH 2)     | 49. DoubleFlash 120 (Alt.)   |
| 4. SignalAlert™ 75 (PH 4) | 27. PingPong™ 75 (PH 3)     | 50. DoubleFlash 120 (Sim.)   |
| 5. CometFlash® 75 (PH 1)  | 28. PingPong™ 75 (PH 4)     | 51. PingPong™ 120 (Alt.)     |
| 6. CometFlash 75 (PH 2)   | 29. SSNF 75 (PH 1)          | 52. PingPong™ 120 (Sim.)     |
| 7. CometFlash 75 (PH 3)   | 30. SSNF 75 (PH 2)          | 53. TripleFlash™ 75 (Alt.)   |
| 8. CometFlash 75 (PH 4)   | 31. SingleFlash 60 (Alt.)   | 54. TripleFlash 75 (Sim.)    |
| 9. DoubleFlash 75 (PH 1)  | 32. SingleFlash 60 (Sim.)   | 55. TripleFlash 120 (Alt.)   |
| 10. DoubleFlash 75 (PH 2) | 33. SingleFlash 90 (Alt.)   | 56. TripleFlash 120 (Sim.)   |
| 11. DoubleFlash 75 (PH 3) | 34. SingleFlash 90 (Sim.)   | 57. SigAlert Cal.™ (Alt.)    |
| 12. DoubleFlash 75 (PH 4) | 35. SingleFlash 120 (Alt.)  | 58. SigAlert Cal. (Sim.)     |
| 13. SingleFlash 75 (PH 1) | 36. SingleFlash 120 (Sim.)  | 59. Action SF 60/120 (Alt.)  |
| 14. SingleFlash 75 (PH 2) | 37. SingleFlash 300 (Alt.)  | 60. Action SF 60/120 (Sim.)  |
| 15. SingleFlash 75 (PH 3) | 38. SingleFlash 300 (Sim.)  | 61. Action SF60/TF120 (Alt.) |
| 16. SingleFlash 75 (PH 4) | 39. DoubleFlash 150 (Alt.)  | 62. Action SF60/TF120 (Sim.) |
| 17. ComAlert™ 75 (PH 1)   | 40. DoubleFlash 150 (Sim.)  | 63. CalScan™ (Alt./Sim.)     |
| 18. ComAlert™ 75 (PH 2)   | 41. ComAlert™ 150 (Alt.)    | 64. ActionScan™ (Alt./Sim.)  |
| 19. ComAlert™ 75 (PH 3)   | 42. ComAlert™ 150 (Sim.)    | 65. SteadyFlash 60           |
| 20. ComAlert™ 75 (PH 4)   | 43. ActionFlash™ 50 (Alt.)  | 66. SteadyFlash 75           |
| 21. LongBurst™ 75 (PH 1)  | 44. ActionFlash™ 50 (Sim.)  | 67. SteadyFlash 90           |
| 22. LongBurst™ 75 (PH 2)  | 45. ActionFlash™ 150 (Alt.) | 68. SteadyFlash 120          |
| 23. LongBurst™ 75 (PH 3)  | 46. ActionFlash™ 150 (Sim.) | 69. Steady & Steady          |

NOTE: BOLD = CA. Title XIII Compliant Pattern / *Italic* = SYNC Pattern / PH = Phase