

# WHELEN<sup>®</sup>

ENGINEERING COMPANY INC.

51 Winthrop Road  
 Chester, Connecticut 06412-0684  
 Phone: (860) 526-9504  
 Fax: (860) 526-4078  
 Internet: [www.whelen.com](http://www.whelen.com)  
 Sales e-mail: [autosale@whelen.com](mailto:autosale@whelen.com)  
 Canadian Sales e-mail: [canadiansales@whelen.com](mailto:canadiansales@whelen.com)  
 Customer Service e-mail: [custserv@whelen.com](mailto:custserv@whelen.com)

## Installation Guide: Pedestal Mount Kit M2 series Lighthead

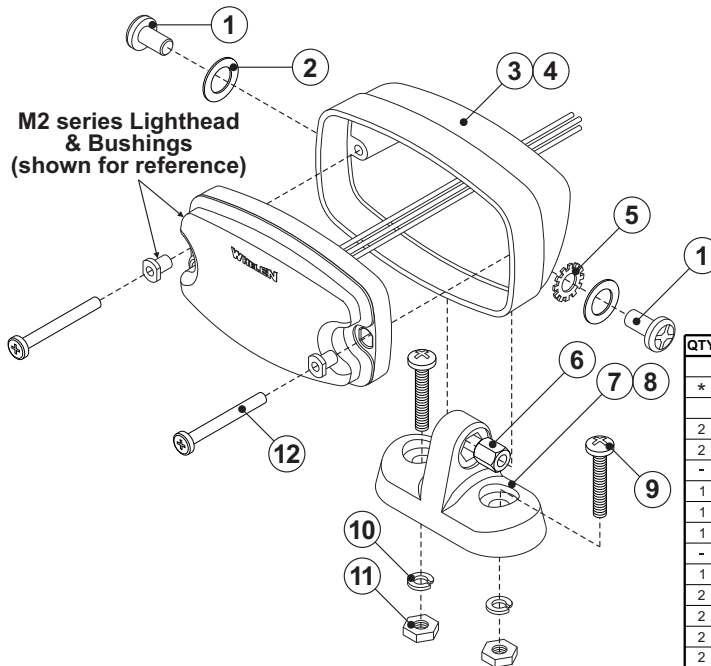
### Mounting

1. Position the Pedestal Mount Base (Item 7 or 8) onto the proposed mounting surface.
- NOTE! Mounting this product requires drilling through the mounting surface. It is absolutely necessary to make sure that no other vehicle components could be damaged by this process.
2. Using the base as a template, mark the location of the two mounting holes using a scribe or similar tool.
  3. Remove the base and drill the two mounting holes using a .281 drill bit. Deburr these holes before continuing.
  4. Return the base to its mounting position and secure it using the hardware provided (Items 9, 10 & 11).
  5. Locate the housing included with this kit (Item 3 or 4). Route the wires from your M2 lighthead (sold separately) through the housing as shown.

6. Secure the lighthead to the housing using the bushings included with your lighthead and the screws included with the pedestal mount kit (item 12). Do not use the screws included with your lighthead.
7. Insert the hexagonal standoff (item 6) into the base as shown. Position the lighthead/housing assembly onto the base and install hardware items 1, 2 & 5.
8. Adjust the lighthead/housing assembly to the desired angle and tighten the appropriate hardware.

### Wiring

Refer to the manual included with your lighthead for important wiring and fusing information.



QTY	QTY	ITEM	PART NUMBER	DESCRIPTION
*	*		01-046D776-00	M2 PEDESTAL MOUNT KIT (BLACK)
*			01-046D776-01	M2 PEDESTAL MOUNT KIT (CHROME)
2	2	1		SCREW, 1/4 -20 x 7/16 PPHMS
2	2	2		WASHER, .250 ID X .625 OD X .040 FLAT
-	1	3	11-487165-001	HOUSING (BLACK)
1	-	4	11-487165-003	HOUSING (CHROME)
1	1	5	16-1612420-05	WASHER, EXTERNAL TOOTH LOCK
1	1	6	20-1512120310	STANDOFF, 15/32 L X 3/8 W, 1/4-20
-	1	7	11-36D771-001	BASE, PEDESTAL MOUNT (BLACK)
1	-	8	11-36D771-003	BASE, PEDESTAL MOUNT (CHROME)
2	2	9		SCREW, 1/4-20 X 1 1/4 PPHMS
2	2	10		WASHER, SPLIT-LOCK 1/4"
2	2	11		NUT, HEX 1/4-20
2	2	12		SCREW, #8 X 3/4 PPHSMS

**For warranty information regarding this product, visit [www.whelen.com/warranty](http://www.whelen.com/warranty)**