

WHELEN[®] ENGINEERING COMPANY INC.

51 Winthrop Road,
Chester, Connecticut 06412-0684
Phone: (860) 526-9504
Fax: (860) 526-4078

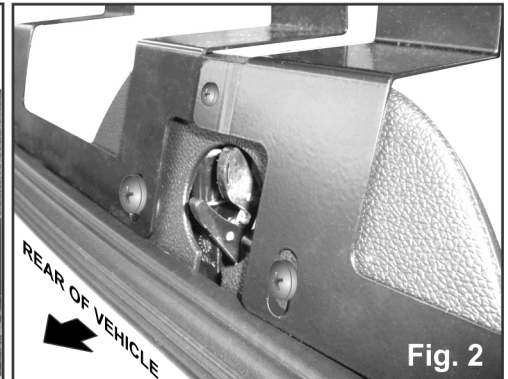
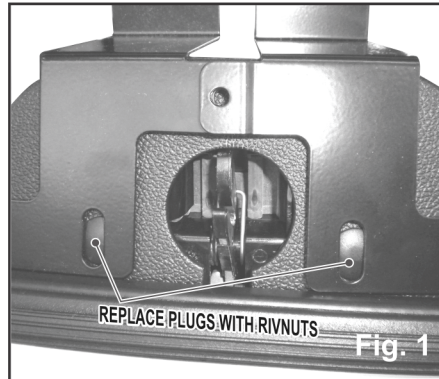
Installation Guide: Dominator™ mounting bracket Model DBKT6 / 2012 Tahoe Hatchback

Internet: www.whelen.com
Sales e-mail: autosale@whelen.com
Canadian Sales e-mail: canadiansales@whelen.com
Customer Service e-mail: custserv@whelen.com

Installation:

This bracket mounts to the rear window latch housing.

1. Remove the end cap on the Dominator™ and add a fourth carriage bolt, then replace the end cap (Fig. 3).
2. Remove the 2 existing christmas tree plugs on either side of the window latch and install 2 rivnuts.
3. Install the bracket onto the vehicle and install the Dominator™ lightbar onto the bracket using the supplied mounting hardware (Figs. 2 & 4).



IMPORTANT! It is the responsibility of the installation technician to make sure that the installation and operation of this product will not interfere with or compromise the operation or efficiency of any vehicle equipment. Before returning the vehicle to active service, visually confirm the proper operation of this product, as well as all vehicle components/equipment.

©2012 Whelen Engineering Company Inc.
Form No.14616 (091212)

For warranty information regarding this product, visit www.whelen.com/warranty

WHELEN[®] ENGINEERING COMPANY INC.

51 Winthrop Road,
Chester, Connecticut 06412-0684
Phone: (860) 526-9504
Fax: (860) 526-4078

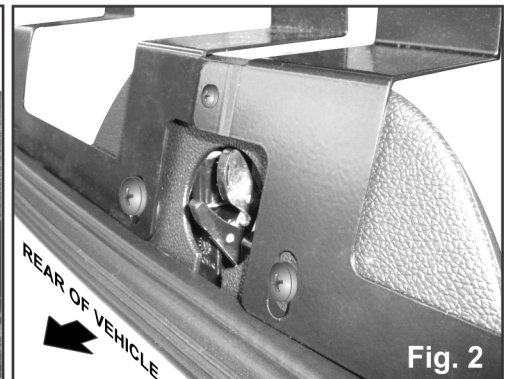
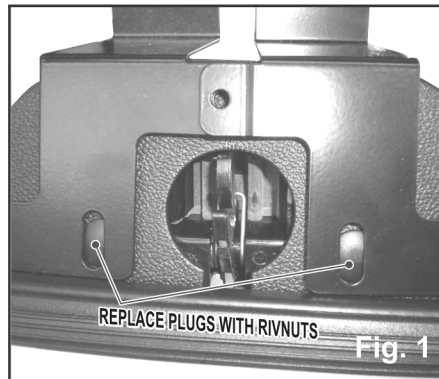
Installation Guide: Dominator™ mounting bracket Model DBKT6 / 2012 Tahoe Hatchback

Internet: www.whelen.com
Sales e-mail: autosale@whelen.com
Canadian Sales e-mail: canadiansales@whelen.com
Customer Service e-mail: custserv@whelen.com

Installation:

This bracket mounts to the rear window latch housing.

1. Remove the end cap on the Dominator™ and add a fourth carriage bolt, then replace the end cap (Fig. 3).
2. Remove the 2 existing christmas tree plugs on either side of the window latch and install 2 rivnuts.
3. Install the bracket onto the vehicle and install the Dominator™ lightbar onto the bracket using the supplied mounting hardware (Figs. 2 & 4).



IMPORTANT! It is the responsibility of the installation technician to make sure that the installation and operation of this product will not interfere with or compromise the operation or efficiency of any vehicle equipment. Before returning the vehicle to active service, visually confirm the proper operation of this product, as well as all vehicle components/equipment.

©2012 Whelen Engineering Company Inc.
Form No.14616 (091212)

For warranty information regarding this product, visit www.whelen.com/warranty

Fig. 3 MOUNTING THE LIGHTBAR TO THE BRACKET

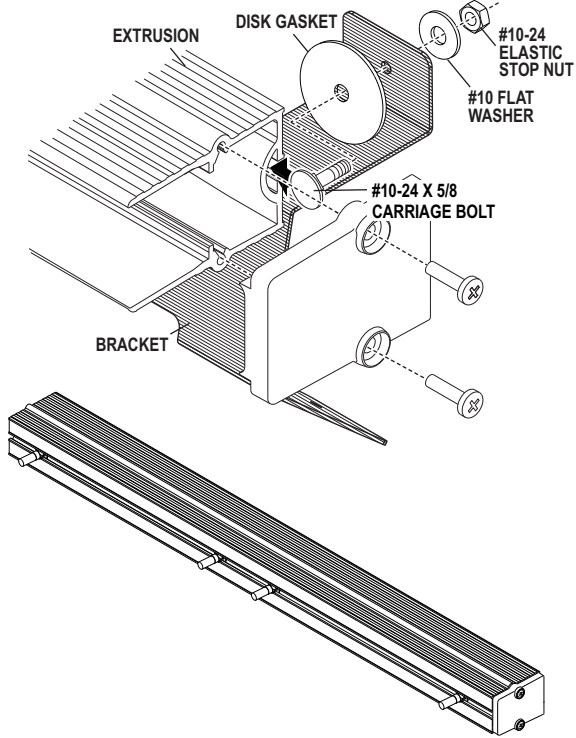


Fig. 3 MOUNTING THE LIGHTBAR TO THE BRACKET

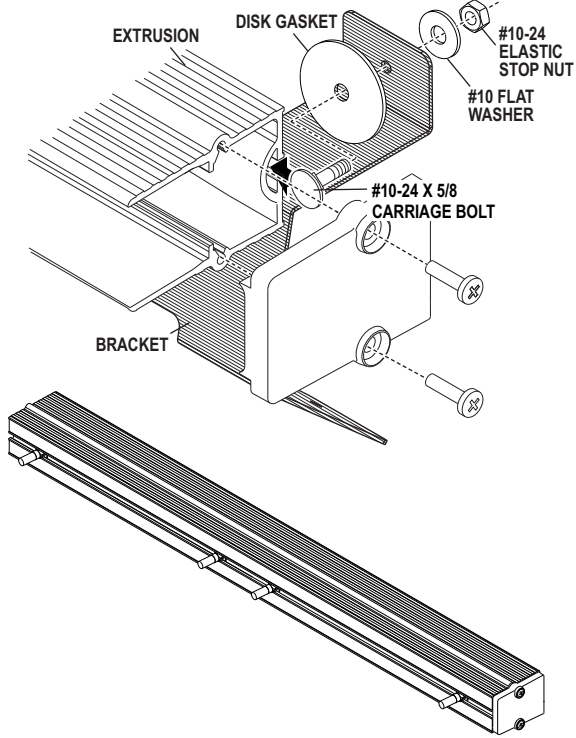


Fig. 4

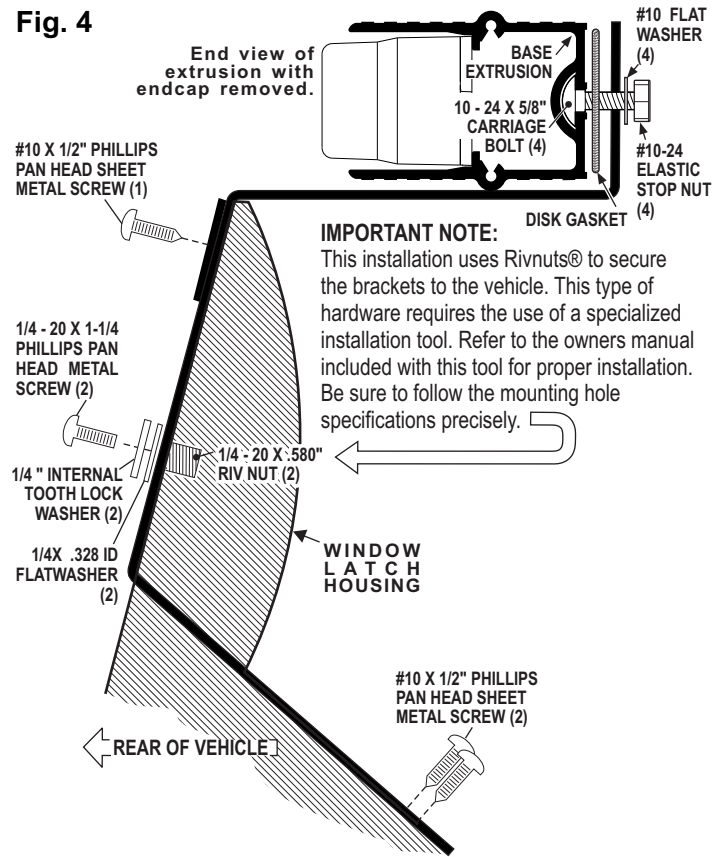


Fig. 4

