

WHELEN[®]

ENGINEERING COMPANY INC.

Route 145, Winthrop Road,
Chester, Connecticut 06412
Phone: (860) 526-9504
Fax: (860) 526-2009
Internet: www.whelen.com
Sales/Service e-mail: aviation@whelen.com

Installation Guide: 71110()-series Models 7111001 thru 7111008 P/Ns: 01-0771110-01 thru 01-0771110-08 LED Forward Position Light/ Strobe Assembly



TSO-C96a CLASS II APPROVED
TSO-C30c TYPES I, II APPROVED

The conditions and tests required for TSO approval of this article are minimum performance standards. It is the responsibility of those installing this article either on or within a specific type or class of aircraft to determine that the aircraft installation conditions are within the TSO standards. TSO articles must have separate approval for installation in aircraft. The article may be installed only if performed under 14 CFR part 43 or the applicable airworthiness requirements.

POSITION LIGHT:

Operational Voltage: 14/28 VDC (nominal)
Input Current: 0.25 Amps

EQUIPMENT LIMITATIONS: An approved lighting system consists of two lights, one located on each wingtip. The baseplate must be mounted parallel to the vertical and horizontal centerlines of the aircraft to project the patterns properly. The strobe tube assembly must be connected to a strobe power supply, such as Whelen model 70888, 70879 or other approved models.

Certain types of installations may require additional testing.

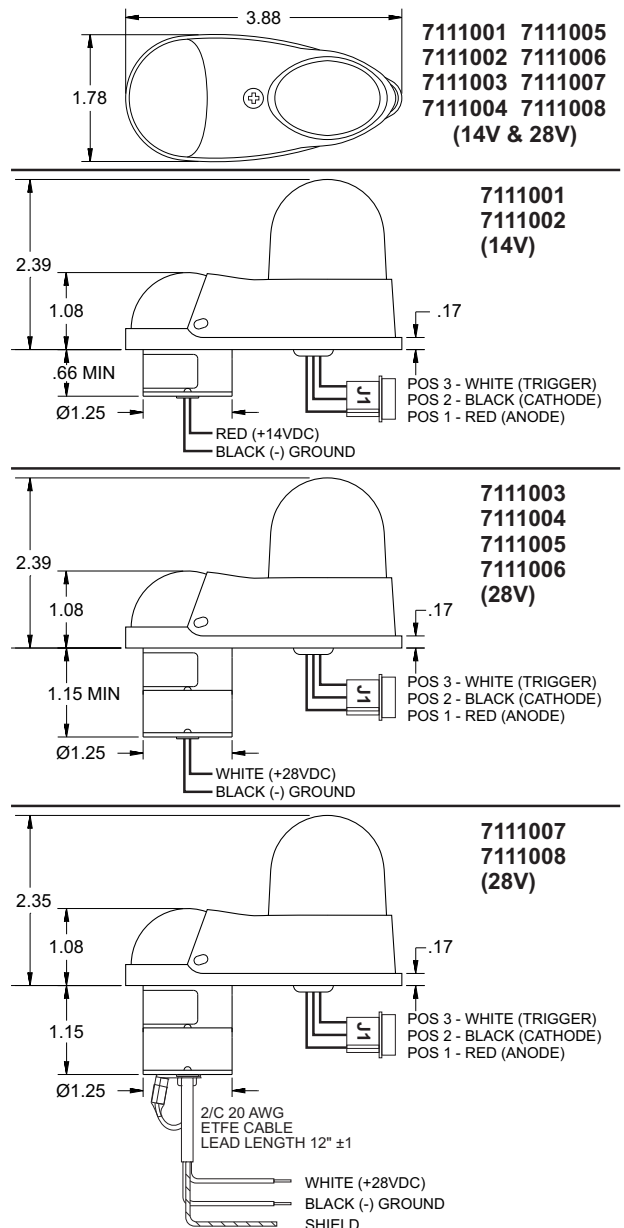
CONTINUED AIRWORTHINESS: The 71110() series LED wingtip position light assembly is designed with either 3 Green LED's or 4 Red LED's. Should any one LED fails, the unit must be repaired or replaced.

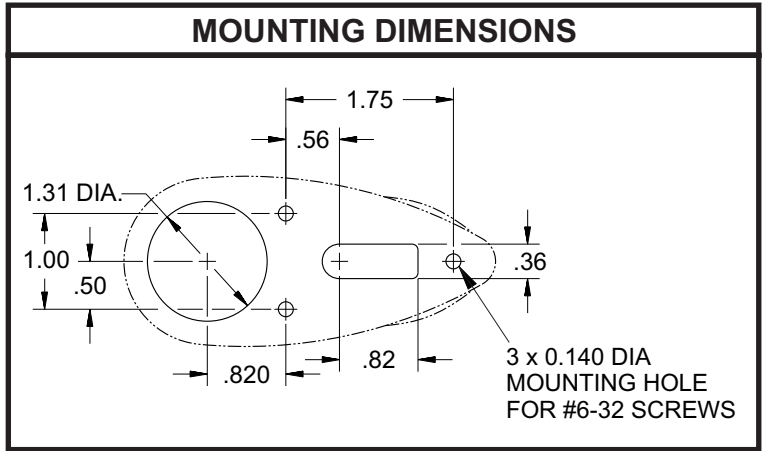
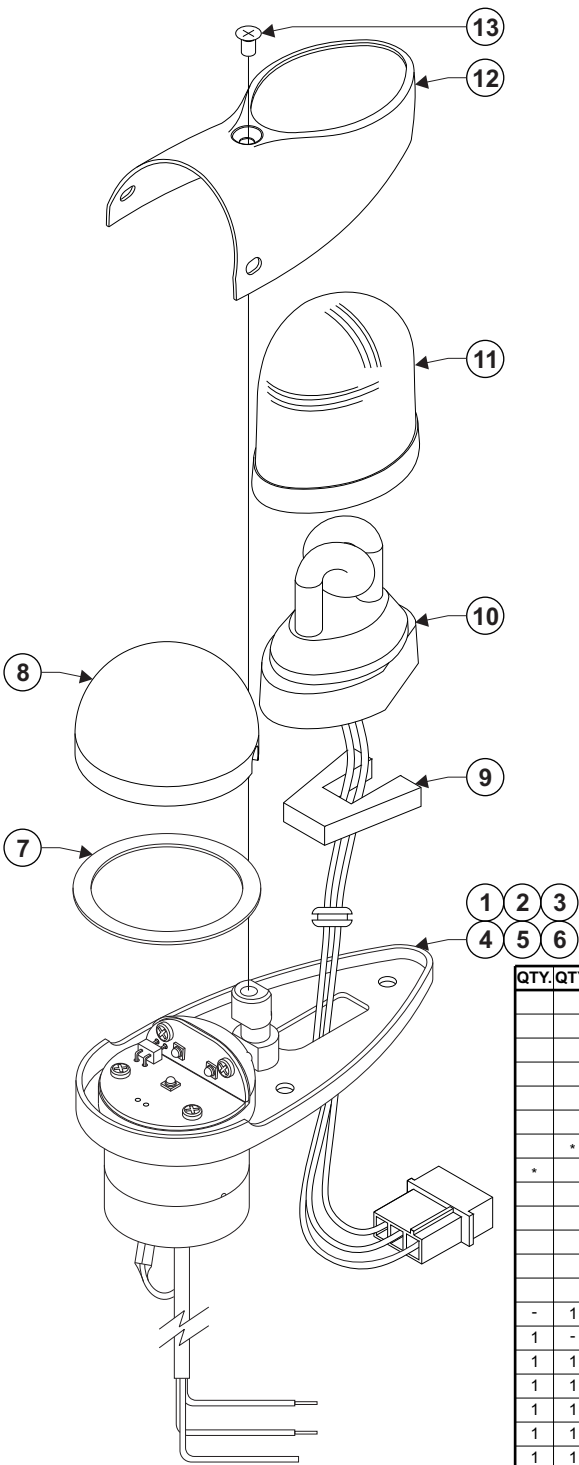
NOTE: To reduce eye strain, use an optical filter (such as dark glasses or a blue covering dome) during LED inspection.

Inspect the lens. Replace if there is excessive scratching, discoloration, pitting or cracking.

INSTALLATION PROCEDURES: The following information is to assist in the installation of a Whelen 71110() LED Forward Position Light/ Strobe System. The installation procedure described in the following text will be confined to a single light installation, but is identical for multiple light installations.

1. Choose the appropriate 71110() light assembly.
2. Using the mounting detail information provided, prepare the aircraft for means to secure the light assembly.
3. Connect the position light inputs according to the chart shown. Connect the power lead to an appropriate sized breaker. Connections to be in accordance with FAA approved methods. Connect the strobe, J1 to the strobe power supply as shown.
4. Carefully remove the shroud from the light assembly. CAUTION! Do not touch the LED lens surface with either fingers or sharp objects. This could soil and/or damage the lens and effect the optical performance of the LEDs.
5. Using the appropriate hardware, install light assembly and insure that all leads are clear of any obstructions and secured as required. Secure light assembly using vibration resistant threaded fasteners.
6. Reinstall the lens so that the two notches are positioned under the shroud, with each notch equidistant to the centerline. Confirm proper gasket fit.
7. Install lens retainer. Reinsert #6 flat head screw and tighten firmly.
8. When necessary, waterproof the light base to aircraft. Apply single part silicone (RTV) or equivalent around any open area where water could get in.
9. Check all avionics systems for interference from the installation.
10. A flight check should be performed by a properly certified pilot.
11. Update aircraft records, complete Form 337 and obtain FAA field approval for installation, as necessary.





QTY.	QTY.	QTY.	QTY.	QTY.	QTY.	QTY.	QTY.	QTY.	ITEM	PART NUMBER	DESCRIPTION
								*		01-0771110-01	7111001 POS/STROBE LIGHT, 14V (GRN)
								*		01-0771110-02	7111002 POS/STROBE LIGHT, 14V (RED)
					*					01-0771110-03	7111003 POS/STROBE LIGHT, 28V (GRN)
				*						01-0771110-04	7111004 POS/STROBE LIGHT, 28V (RED)
		*								01-0771110-05	7111005 POS/STROBE LIGHT, 28V (GRN)
		*								01-0771110-06	7111006 POS/STROBE LIGHT, 28V (RED)
	*									01-0771110-07	7111007 POS/STROBE LIGHT, 28V (GRN)
*										01-0771110-08	7111008 POS/STROBE LIGHT, 28V (RED)
		-	-	-	-	-	1	1		01-0271757-01	71110 ASS'Y, POSITION/STROBE LIGHT 14V (GRN)
		-	-	-	-	-	1	2		01-0271757-02	71110 ASS'Y, POSITION/STROBE LIGHT 14V (RED)
		-	1	-	1	-	-	3		01-0271757-03	71110 ASS'Y, POSITION/STROBE LIGHT 28V (GRN)
		1	-	1	-	-	-	4		01-0271757-04	71110 ASS'Y, POSITION/STROBE LIGHT 28V (RED)
-	1	-	-	-	-	-	-	5		01-0271757-07	71110 ASS'Y, POSITION/STROBE LIGHT 28V (GRN)
1	-	-	-	-	-	-	-	6		01-0271757-08	71110 ASS'Y, POSITION/STROBE LIGHT 28V (RED)
1	1	1	1	1	1	1	1	7		38-0231440-00	GASKET, LENS - LED POSITION LIGHTS
1	1	1	1	1	1	1	1	8		68-3950902A30	LENS, CLEAR FWD POSITION LIGHT HARDCOAT
1	1	1	1	1	1	1	1	9		38-0130107-00	GASKET, A427-4 1/4" THICK
1	1	1	1	1	1	1	1	10		36-0050626-01	ASS'Y, FLASHTUBE 6.00" LEADS W/GROMMET
1	1	1	1	1	1	1	1	11		68-2290005-34	LENS, CLEAR/COATED A612
1	1	1	1	1	1	1	1	12		19-171122-200	RETAINER, LENS MODEL 71110 IRIDITE/COMPLETE
1	1	1	1	1	1	1	1	13		14-0050508-27	SCREW, 6-32 5/16 PFHMS CSINK MS51959-27