

# WHELEN<sup>®</sup>

## ENGINEERING COMPANY INC.

51 Winthrop Road  
Chester, Connecticut 06412-0684  
Phone: (860) 526-9504  
Fax: (860) 526-4078  
Internet: [www.whelen.com](http://www.whelen.com)  
Sales e-mail: [autosale@whelen.com](mailto:autosale@whelen.com)  
Customer Service e-mail: [custserv@whelen.com](mailto:custserv@whelen.com)

**Installation Guide:**  
**Inner Edge<sup>®</sup> XLP LC Interior Lightbar**  
**10-Light (w/ take-down)**  
**12-Light (w/o take-down)**

### Warnings to Installers

Whelen's emergency vehicle warning devices must be properly mounted and wired in order to be effective and safe. Read and follow all of Whelen's written instructions when installing or using this device. Emergency vehicles are often operated under high speed stressful conditions which must be accounted for when installing all emergency warning devices. Controls should be placed within convenient reach of the operator so that they can operate the system without taking their eyes off the roadway. Emergency warning devices can require high electrical voltages and/or currents. Properly protect and use caution around live electrical connections. Grounding or shorting of electrical connections can cause high current arcing, which can cause personal injury and/or vehicle damage, including fire. Many electronic devices used in emergency vehicles can create or be affected by electromagnetic interference. Therefore, after installation of any electronic device it is necessary to test all electronic equipment simultaneously to insure that they operate free of interference from other components within the vehicle. Never power emergency warning equipment from the same circuit or share the same grounding circuit with radio communication equipment. All devices should be mounted in accordance with the manufacturer's instructions and securely fastened to vehicle elements of sufficient strength to withstand the forces applied to the device. Driver and/or passenger air bags (SRS) will affect the way equipment should be mounted. This device should be mounted by permanent installation and within the zones specified by the vehicle manufacturer, if any. Any device mounted in the deployment area of an air bag will damage or reduce the effectiveness of the air bag and may damage or dislodge the device. Installer must be sure that this device, its mounting hardware and electrical supply wiring does not interfere with the air bag or the SRS wiring or sensors. Mounting the unit inside the vehicle by a method other than permanent installation is not recommended as unit may become dislodged during swerving; sudden braking or collision. Failure to follow instructions can result in personal injury. Whelen assumes no liability for any loss resulting from the use of this warning device. **PROPER INSTALLATION COMBINED WITH OPERATOR TRAINING IN THE PROPER USE OF EMERGENCY WARNING DEVICES IS ESSENTIAL TO INSURE THE SAFETY OF EMERGENCY PERSONNEL AND THE PUBLIC.**

### Warnings to Users

Whelen's emergency vehicle warning devices are intended to alert other operators and pedestrians to the presence and operation of emergency vehicles and personnel. However, the use of this or any other Whelen emergency warning device does not guarantee that you will have the right-of-way or that other drivers and pedestrians will properly heed an emergency warning signal. Never assume you have the right-of-way. It is your responsibility to proceed safely before entering an intersection, driving against traffic, responding at a high rate of speed, or walking on or around traffic lanes. Emergency vehicle warning devices should be tested on a daily basis to ensure that they operate properly. When in actual use, the operator must ensure that both visual and audible warnings are not blocked by vehicle components (i.e.: open trunks or compartment doors), people, vehicles, or other obstructions. It is the user's responsibility to understand and obey all laws regarding emergency warning devices. The user should be familiar with all applicable laws and regulations prior to the use of any emergency vehicle warning device. Whelen's audible warning devices are designed to project sound in a forward direction away from the vehicle occupants. However, because sustained periodic exposure to loud sounds can cause hearing loss, all audible warning devices should be installed and operated in accordance with the standards established by the National Fire Protection Association.

### Safety First

This document provides all the necessary information to allow your Whelen product to be properly and safely installed. Before beginning the installation and/or operation of your new product, the installation technician and operator must read this manual completely. Important information is contained herein that could prevent serious injury or damage.

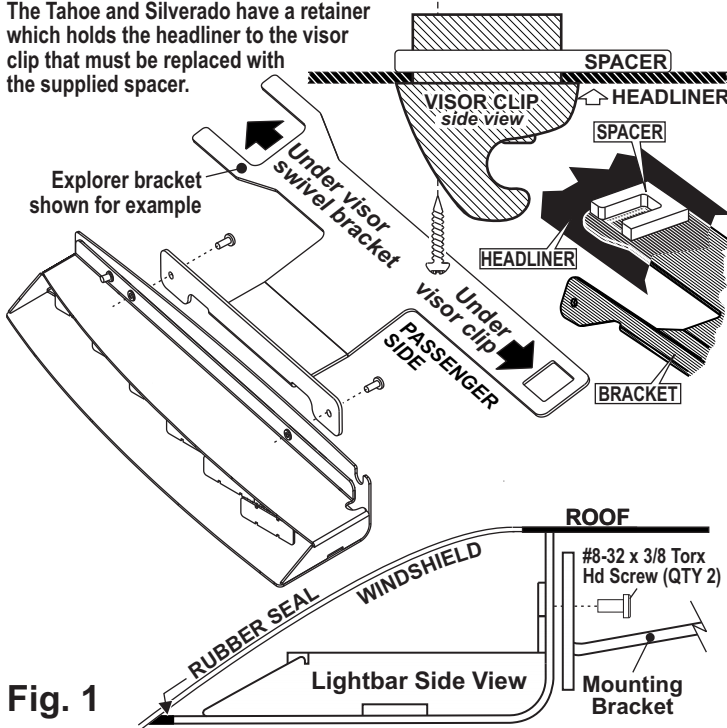
- **Proper installation of this product requires the installer to have a good understanding of automotive electronics, systems and procedures.**
- **Whelen Engineering requires the use of waterproof butt splices and/or connectors if that connector could be exposed to moisture.**
- **Any holes, either created or utilized by this product, should be made both air- and watertight using a sealant recommended by your vehicle manufacturer.**
- **Failure to use specified installation parts and/or hardware will void the product warranty.**
- **If mounting this product requires drilling holes, the installer MUST be sure that no vehicle components or other vital parts could be damaged by the drilling process. Check both sides of the mounting surface before drilling begins. Also de-burr the holes and remove any metal shards or remnants. Install grommets into all wire passage holes.**
- **If this manual states that this product may be mounted with suction cups, magnets, tape or Velcro<sup>®</sup>, clean the mounting surface with a 50/50 mix of isopropyl alcohol and water and dry thoroughly.**
- **Do not install this product or route any wires in the deployment area of your air bag. Equipment mounted or located in the air bag deployment area will damage or reduce the effectiveness of the air bag, or become a projectile that could cause serious personal injury or death. Refer to your vehicle owner's manual for the air bag deployment area. The User/Installer assumes full responsibility to determine proper mounting location, based on providing ultimate safety to all passengers inside the vehicle.**
- **For this product to operate at optimum efficiency, a good electrical connection to chassis ground must be made. The recommended procedure requires the product ground wire to be connected directly to the NEGATIVE (-) battery post (this does not include products that use cigar power cords).**
- **If this product uses a remote device for activation or control, make sure that this device is located in an area that allows both the vehicle and the device to be operated safely in any driving condition.**
- **Do not attempt to activate or control this device in a hazardous driving situation.**
- **This product contains either strobe light(s), halogen light(s), high-intensity LEDs or a combination of these lights. Do not stare directly into these lights. Momentary blindness and/or eye damage could result.**
- **Use only soap and water to clean the outer lens. Use of other chemicals could result in premature lens cracking (crazing) and discoloration. Lenses in this condition have significantly reduced effectiveness and should be replaced immediately. Inspect and operate this product regularly to confirm its proper operation and mounting condition. Do not use a pressure washer to clean this product.**
- **It is recommended that these instructions be stored in a safe place and referred to when performing maintenance and/or reinstallation of this product.**
- **FAILURE TO FOLLOW THESE SAFETY PRECAUTIONS AND INSTRUCTIONS COULD RESULT IN DAMAGE TO THE PRODUCT OR VEHICLE AND/OR SERIOUS INJURY TO YOU AND YOUR PASSENGERS!**

**IMPORTANT!** The lightbar should be located a minimum of 16" from any radio antennas!

**Installation:**

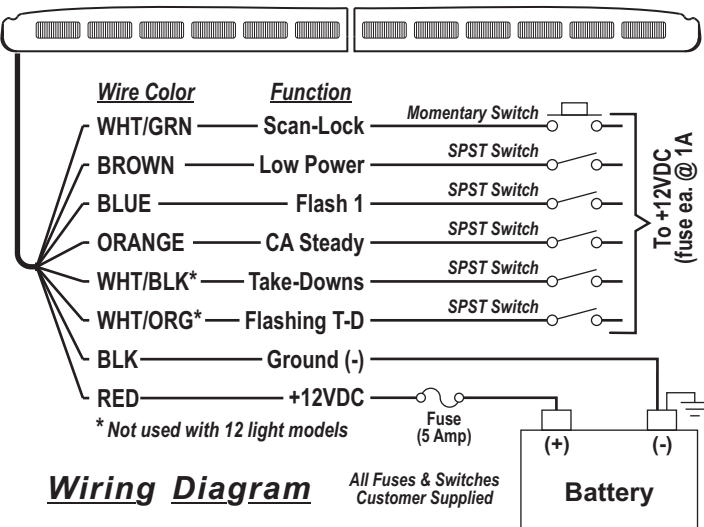
**Note:** When routing wires, it is important to choose a path that will keep the wires away from excessive heat or any vehicle equipment that could compromise the integrity of the wires (ex. trunk lids, door jams, etc.)

The Tahoe and Silverado have a retainer which holds the headliner to the visor clip that must be replaced with the supplied spacer.



**Fig. 1**

- Using a screwdriver, loosen (*do not remove*) the three screws securing the passenger-side **visor swivel** bracket to the vehicle. (See reference to retainer in Figure 1 for Silverado and Tahoe)
- Remove the screws securing the **visor clip** to the vehicle. Remove and retain the clip and all hardware.
- Secure the bracket to the Inner Edge housing using the hardware provided.
- Position the keyed opening of the mounting bracket directly under the mounting location for the **visor clip**. With the bracket in position, remount the **visor clip** in its original location using the original hardware (Fig. 1).
- Firmly tighten any hardware loosened in this procedure.
- Repeat this procedure for the driver-side assembly.
- When properly mounted, the rubber seal will be in full contact with the vehicle windshield and roof. This is to prevent light output from entering the passenger compartment. When this has been achieved, tighten mounting hardware firmly to maintain contact (Fig. 1).
- Route the lightbar cable down the vehicle A-pillar to your control head.



9. Make all wiring connections using the information in the wiring diagram.

**Wiring:**

**WARNING!** All customer supplied wires that connect to the positive terminal of the battery must be sized to supply at least 125% of the maximum operating current and **FUSED** at the battery to carry that load. **DO NOT USE CIRCUIT BREAKERS WITH THIS PRODUCT!**

**Operation:**

This lightbar is powered and controlled by an 8-conductor cable exiting the lightbar. All functions listed here are not present in all lightbars.

**White/Green - Scan-Lock™**

The WHITE/GREEN wire allows you to choose from the available flash patterns. First you must activate the lighthouse(s) you wish to change:

**TO CYCLE THROUGH ALL PATTERNS:** To cycle forward apply +12 VDC to the WHT/GRN wire for less than 1 second and release. To cycle backward apply +12 VDC to the WHT/GRN wire for more than 1 second and release.

**TO SET A PATTERN AS DEFAULT:** When the pattern is displayed, allow it to run for over 5 seconds. The lighthouse will now display this pattern when active.

**TO RESET TO THE FACTORY DEFAULT PATTERN:** Turn off power and apply +12 VDC to the WHT/GRN wire while turning power on.

**A normally open momentary switch is best used for Scan-Lock operation.**

**Blue: Flash 1**

Apply +12 VDC to BLU wire to activate warning lights. Fuse wire @ 1 Amp.

**Brown: Hi/Low Power**

The low power feature allows you to step the lightbar down to run in low power for night time use. Fuse this wire @ 1 Amp. An SPST switch can be used to control Hi/Low power. To activate Low power operation: Apply +12 VDC to the BRN wire. To restore regular power: Remove voltage from the BRN wire.

**White/Black: Take-Downs**

Apply +12 VDC to the WHT/BLK wire to activate the take-downs. Fuse this wire @ 1 Amp. **NOTE: Not used with 12 Light models.**

**White/Orange: Flashing Take-Down**

Apply +12VDC to the WHT/ORG wire to activate flashing take-down mode. Fuse this wire @ 1 Amp. Note: The WHT/BLK wire overrides this display. **NOTE: Not used with 12 Light models.**

**Orange: California Steady**

Apply +12 VDC to the ORG wire to activate lighthouses using the California Steady pattern table. Refer to the artwork on the following page for lighthouse identification. Fuse this wire @ 1 Amp.

| Available Flash Patterns:      |                                 | 14. SingleFlash 90 Alternating | 28. PingPong™ Alternating |
|--------------------------------|---------------------------------|--------------------------------|---------------------------|
| 1. ActionScan™                 | 15. SingleFlash 90 Multi.       | 29. PingPong™ Multi.           |                           |
| 2. SignalAlert™ 75 Alternating | 16. SingleFlash 120 Alternating | 30. FlimFlam Alternating       |                           |
| 3. SignalAlert™ 75 Multi.      | 17. SingleFlash 120 Multi.      | 31. FlimFlam Multi.            |                           |
| 4. CometFlash@ 75 Alternating  | 18. SingleFlash 240 Alternating | 32. ModuFlash™ Alternating     |                           |
| 5. CometFlash@ 75 Multi.       | 19. SingleFlash 240 Multi.      | 33. ModuFlash™ Multi           |                           |
| 6. DoubleFlash 75 Alternating  | 20. DoubleFlash 120 Alternating | 34. Cylon 1                    |                           |
| 7. DoubleFlash 75 Multi.       | 21. DoubleFlash 120 Multi.      | 35. Cylon 2                    |                           |
| 8. SingleFlash 75 Alternating  | 22. ActionFlash™ 75 Alt.        | 36. Cylon Chaser               |                           |
| 9. SingleFlash 75 Multi.       | 23. ActionFlash™ 75 Multi.      | 37. Eyeballs Sync              |                           |
| 10. LongBurst™ 75 Alternating  | 24. ActionFlash™ 150 Alt.       | 38. Eyeballs In/Out            |                           |
| 11. LongBurst™ 75 Multi.       | 25. ActionFlash™ 150 Multi.     | 39. 2 Eyeballs In/Out          |                           |
| 12. SingleFlash 60 Alternating | 26. MicroBurst™ Alternating     | 40. Eyeballs Crazy             |                           |
| 13. SingleFlash 60 Multi.      | 27. MicroBurst™ Multi.          |                                |                           |

**California Steady Pattern Table:**

| #  | Active Lighthouses | 6. D6 (12-Light Models Only)       |
|----|--------------------|------------------------------------|
| 1. | D1                 | 7. D1 + P1                         |
| 2. | D2                 | 8. D2 + P2                         |
| 3. | D3                 | 9. D3 + P3                         |
| 4. | D4                 | 10. D4 + P4                        |
| 5. | D5                 | 11. D5 + P5                        |
|    |                    | 12. D6 + P6 (12-Light Models Only) |

**IMPORTANT WARNING!**  
CAUTION! DO NOT LOOK DIRECTLY AT THESE LED'S WHILE THEY ARE ON. MOMENTARY BLINDNESS AND/OR EYE DAMAGE COULD RESULT!

**IMPORTANT!** Before returning this vehicle to active service, visually confirm the proper operation of this product, as well as all vehicle components/equipment.

| QTY | QTY | ITEM | PART NUMBER   | DESCRIPTION                                        |
|-----|-----|------|---------------|----------------------------------------------------|
|     | *   |      | 01-0687417-3  | INNER EDGE XLP, LOW CURRENT 10 LT W/TD             |
|     | *   |      | 01-0687417-4  | INNER EDGE XLP, LOW CURRENT 12 LT WO/TD            |
| 2   | 2   | 1    | 14-040286-06D | SCREW, 4-40 X 3/8 PAN TORX HD ROLOK SS             |
| 8   | 8   | 2    | 14-08228C-06D | SCREW, 8-32 X 3/8 PAN TORX HD ROLOK SS BLACK OXIDE |
| 24  | 24  | 3    | 14-040216-04H | SCREW, 4-40 X 1/4 PPHMS 410SS BLACK PASSIVATE      |
| 1   | 1   | 4    | 39-1M17672-08 | HOUSING, PLUG 8 POS 18 AWG SL-156 W/ LOCKING RAMP  |
| 1   | 1   | 5    | 46-0743403-00 | ASSY, CABLE 9/C 18 GA TPR 20' SL-156 SCKTS ONE END |
| 1   | 1   | 6    | 26-0215001-06 | TY WRAP, 6" BLACK                                  |
| 1   | 1   | 7    | 01-026E492-00 | SUB ASSY, LC I/O INNER-EDGE XLP                    |
| 1   | 1   | 8    | 46-076E495-00 | ASSY, HARNESS PASSENGER INNER EDGE XLP             |

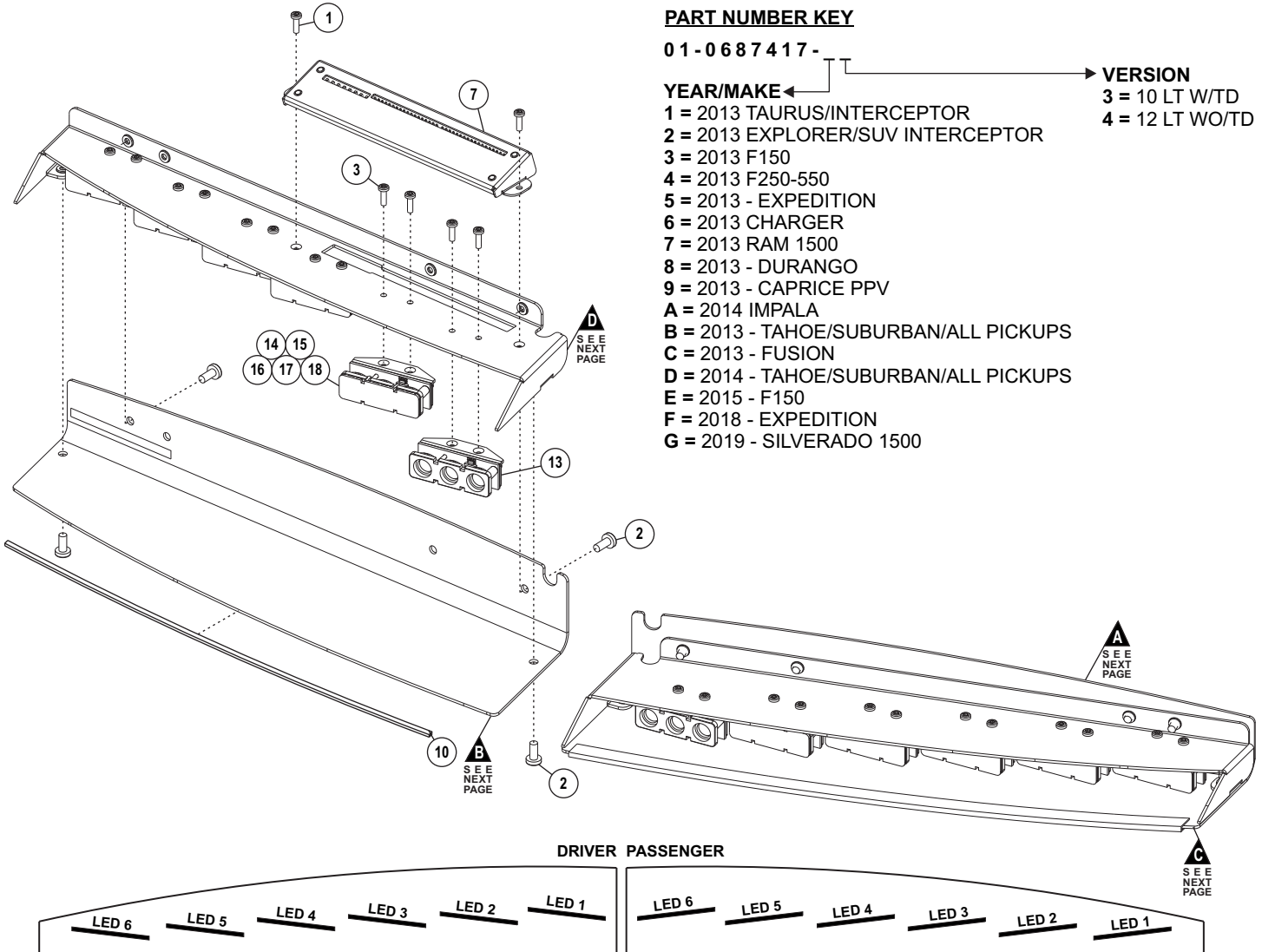
|     |     |    |               |                                                             |
|-----|-----|----|---------------|-------------------------------------------------------------|
| 1   | 1   | 9  | 46-076E495-01 | ASSY, HARNESS DRIVER INNER EDGE XLP                         |
| 2   | 2   | 10 | 38-0546827-14 | TRIM, SEAL HOUSING/WINDSHIELD 13.600" LENGTH INNER EDGE XLP |
| 1   | 1   | 11 | 10-056E563-30 | LABEL, WHELEN LOGO, 2.75" GREY                              |
| 1   | 1   | 12 | 10-056E501-__ | LABEL, INNER EDGE XLP, M/N P/N                              |
| -   | 2   | 13 | 01-026E488-31 | SUB ASSY, TAKE DOWN WHITE INNER-EDGE XLP                    |
| A/R | A/R | 14 | 01-026E488-10 | SUB ASSY, WARNING AMB INNER-EDGE XLP                        |
| A/R | A/R | 15 | 01-026E488-20 | SUB ASSY, WARNING BLU INNER-EDGE XLP                        |
| A/R | A/R | 16 | 01-026E488-30 | SUB ASSY, WARNING WHT INNER-EDGE XLP                        |
| A/R | A/R | 17 | 01-026E488-40 | SUB ASSY, WARNING GRN INNER-EDGE XLP                        |
| A/R | A/R | 18 | 01-026E488-50 | SUB ASSY, WARNING RED INNER-EDGE XLP                        |

### PART NUMBER KEY

01-0687417-

YEAR/MAKE ←      → VERSION

1 = 2013 TAURUS/INTERCEPTOR      3 = 10 LT W/TD  
2 = 2013 EXPLORER/SUV INTERCEPTOR      4 = 12 LT WO/TD  
3 = 2013 F150  
4 = 2013 F250-550  
5 = 2013 - EXPEDITION  
6 = 2013 CHARGER  
7 = 2013 RAM 1500  
8 = 2013 - DURANGO  
9 = 2013 - CAPRICE PPV  
A = 2014 IMPALA  
B = 2013 - TAHOE/SUBURBAN/ALL PICKUPS  
C = 2013 - FUSION  
D = 2014 - TAHOE/SUBURBAN/ALL PICKUPS  
E = 2015 - F150  
F = 2018 - EXPEDITION  
G = 2019 - SILVERADO 1500



### 2013 - CAPRICE PPV

| QTY | ITEM | PART NUMBER   | DESCRIPTION                                         |
|-----|------|---------------|-----------------------------------------------------|
|     |      | 01-0687417-9  | FINAL, INNER EDGE XLP, 10/12 LIGHT                  |
| 1   | A    | 11-36E494-107 | BASE, HOUSING DRVR 12 CAPRICE INNER EDGE XLP BLACK  |
| 1   | B    | 11-36E494-007 | BASE, HOUSING PASS 12 CAPRICE INNER EDGE XLP BLACK  |
| 1   | C    | 11-26E493-107 | COVER, TOP DRVR 12 CAPRICE INNER EDGE XLP BLACK     |
| 1   | D    | 11-26E493-007 | COVER, TOP PASS 12 CAPRICE INNER EDGE XLP BLACK     |
| 1   | E    | 07-287419-123 | BRACKET, VISOR MT DRVR CAPRICE INNER EDGE XLP BLACK |
| 1   | F    | 07-287419-023 | BRACKET, VISOR MT PASS CAPRICE INNER EDGE XLP BLACK |
| 4   | G    | 14-08228C-06D | SCREW, 8-32 X 3/8 PAN TORX HD ROLOK SS BLACK OXIDE  |
| 2   | H    | 15-10141B-162 | SCREW, 10 X 1" PPH SMS TYPE A SS BLACK OXIDE        |

### 2013 - TAHOE/SUBURBAN/ALL PICKUPS

| QTY | ITEM | PART NUMBER   | DESCRIPTION                                         |
|-----|------|---------------|-----------------------------------------------------|
|     |      | 01-0687417-B  | FINAL, INNER EDGE XLP, 10/12 LIGHT                  |
| 1   | A    | 11-36E644-107 | BASE, HOUSING, DRVR 12 TAHOE INNER EDGE XLP BLACK   |
| 1   | B    | 11-36E644-007 | BASE, HOUSING, PASS 12 TAHOE INNER EDGE XLP BLACK   |
| 1   | C    | 11-26E645-107 | COVER, TOP DRVR 12 CHEVY TAHOE INNER EDGE XLP BLACK |
| 1   | D    | 11-26E645-007 | COVER, TOP PASS 12 CHEVY TAHOE INNER EDGE XLP BLACK |
| 1   | E    | 07-287449-123 | BRACKET, VISOR MT DRVR TAHOE INNER EDGE XLP BLACK   |
| 1   | F    | 07-287449-023 | BRACKET, VISOR MT PASS THOE INNER EDGE XLP BLACK    |
| 4   | G    | 14-08228C-060 | SCREW, 8-32 X 3/8 PAN TORX HD ROLOK SS BLACK OXIDE  |

continued on next page

**2014 - TAHOE/SUBURBAN/ALL PICKUPS**

| QTY | ITEM | PART NUMBER   | DESCRIPTION                                         |
|-----|------|---------------|-----------------------------------------------------|
|     |      | 01-0687417-D  | FINAL, INNER EDGE XLP, 10/12 LIGHT                  |
| 1   | A    | 11-36F641-107 | BASE, HOUSING, DRVR 14 TAHOE INNER EDGE XLP BLACK   |
| 1   | B    | 11-36F641-007 | BASE, HOUSING, PASS 14 TAHOE INNER EDGE XLP BLACK   |
| 1   | C    | 11-26F642-107 | COVER, TOP DRVR 14 CHEVY TAHOE INNER EDGE XLP BLACK |
| 1   | D    | 11-26F642-007 | COVER, TOP PASS 14 CHEVY TAHOE INNER EDGE XLP BLACK |
| 1   | E    | 07-287726-123 | BRACKET, VISOR MT DRVR TAHOE INNER EDGE XLP BLACK   |
| 1   | F    | 07-287726-023 | BRACKET, VISOR MT PASS THOE INNER EDGE XLP BLACK    |
| 4   | G    | 14-08228C-060 | SCREW, 8-32 X 3/8" PAN TORX HD ROLOK SS BLACK OXIDE |

**2013 - CHARGER**

| QTY | ITEM | PART NUMBER   | DESCRIPTION                                         |
|-----|------|---------------|-----------------------------------------------------|
|     |      | 01-0687417-6  | FINAL, INNER EDGE XLP, 10/12 LIGHT                  |
| 1   | A    | 11-36E264-107 | BASE, HOUSING DRVR 12 CHARGER INNER EDGE XLP BLACK  |
| 1   | B    | 11-36E264-007 | BASE, HOUSING PASS 12 CHARGER INNER EDGE XLP BLACK  |
| 1   | C    | 11-26E265-107 | COVER, TOP DRVR 12 CHARGER INNER EDGE XLP BLACK     |
| 1   | D    | 11-26E265-007 | COVER, TOP PASS 12 CHARGER INNER EDGE XLP BLACK     |
| 1   | E    | 07-287356-123 | BRACKET, VISOR MT DRVR CHARGER INNER EDGE XLP BLACK |
| 1   | F    | 07-287356-023 | BRACKET, VISOR MT PASS CHARGER INNER EDGE XLP BLACK |
| 4   | G    | 14-08228C-06D | SCREW, 8-32 X 3/8" PAN TORX HD ROLOK SS BLACK OXIDE |

**2013 - RAM 1500**

| QTY | ITEM | PART NUMBER   | DESCRIPTION                                         |
|-----|------|---------------|-----------------------------------------------------|
|     |      | 01-0687417-7  | FINAL, INNER EDGE XLP, 10/12 LIGHT                  |
| 1   | A    | 11-36E862-107 | BASE, HOUSING DRVR RAM 1500 INNER EDGE XLP BLACK    |
| 1   | B    | 11-36E862-007 | BASE, HOUSING PASS RAM 1500 INNER EDGE XLP BLACK    |
| 1   | C    | 11-26E861-107 | COVER, TOP DRVR DODGE RAM 1500 INNER EDGE XLP BLACK |
| 1   | D    | 11-26E861-007 | COVER, TOP PASS DODGE RAM 1500 INNER EDGE XLP BLACK |
| 1   | E    | 07-287518-123 | BRACKET,VISOR MT DRVR RAM 1500 INNER EDGE XLP BLACK |
| 1   | F    | 07-287518-023 | BRACKET,VISOR MT PASS RAM 1500 INNER EDGE XLP BLACK |
| 4   | G    | 14-08228C-06D | SCREW, 8-32 X 3/8" PAN TORX HD ROLOK SS BLACK OXIDE |
| 2   | H    | 15-081416-160 | SCREW, 8 X 1 PPHSMS                                 |

**2013 - DURANGO**

| QTY | ITEM | PART NUMBER   | DESCRIPTION                                         |
|-----|------|---------------|-----------------------------------------------------|
|     |      | 01-0687417-8  | FINAL, INNER EDGE XLP, 10/12 LIGHT                  |
| 1   | A    | 11-36F186-107 | BASE, HOUSING DRVR 13 DURANGO INNER EDGE XLP BLACK  |
| 1   | B    | 11-36F186-007 | BASE, HOUSING PASS 13 DURANGO INNER EDGE XLP BLACK  |
| 1   | C    | 11-26F187-107 | COVER, TOP DRVR DODGE DURANGO INNER EDGE XLP BLACK  |
| 1   | D    | 11-26F187-007 | COVER, TOP PASS DODGE DURANGO INNER EDGE XLP BLACK  |
| 1   | E    | 07-287616-123 | BRACKET, VISOR MT DRVR DURANGO INNER EDGE XLP BLACK |
| 1   | F    | 07-287616-023 | BRACKET, VISOR MT PASS DURANGO INNER EDGE XLP BLACK |
| 4   | G    | 14-08228C-06D | SCREW, 8-32 X 3/8" PAN TORX HD ROLOK SS BLACK OXIDE |

**2014 - IMPALA**

| QTY | ITEM | PART NUMBER   | DESCRIPTION                                            |
|-----|------|---------------|--------------------------------------------------------|
| *   |      | 01-0687417-A  | FINAL, INNER EDGE XLP, 10/12 LIGHT                     |
| 1   | A    | 11-36G260-107 | BASE, HOUSING, DRVR 2014 IMPALA INNER EDGE XLP BLACK   |
| 1   | B    | 11-36G260-007 | BASE, HOUSING, PASS 2014 IMPALA INNER EDGE XLP BLACK   |
| 1   | C    | 11-26G261-107 | COVER, TOP DRVR 2014 CHEVY IMPALA INNER EDGE XLP BLACK |
| 1   | D    | 11-26G261-007 | COVER, TOP PASS 2014 CHEVY IMPALA INNER EDGE XLP BLACK |
| 1   | E    | 07-287946-123 | BRACKET, VISOR MT DRVR IMPALA INNER EDGE XLP BLACK     |
| 1   | F    | 07-287946-023 | BRACKET, VISOR MT PASS IMPALA INNER EDGE XLP BLACK     |
| 4   | G    | 14-08228C-060 | SCREW, 8-32 X 3/8" PAN TORX HD ROLOK SS BLACK OXIDE    |

**2019 - SILVERADO 1500**

| QTY | ITEM | PART NUMBER   | DESCRIPTION                                               |
|-----|------|---------------|-----------------------------------------------------------|
| *   |      | 01-0687417-G  | FINAL, INNER EDGE XLP, 10/12 LIGHT                        |
| 1   | A    | 11-36J270-107 | BASE, HOUSING, DRVR SILVERADO 2019 INNER EDGE XLP BLACK   |
| 1   | B    | 11-36J270-007 | BASE, HOUSING, PASS SILVERADO 2019 INNER EDGE XLP BLACK   |
| 1   | C    | 11-26J271-107 | COVER, TOP DRVR 19 SILVERADO LC INNER EDGE XLP BLACK      |
| 1   | D    | 11-26J271-007 | COVER, TOP PASS 19 SILVERADO LC INNER EDGE XLP BLACK      |
| 1   | E    | 07-288558-123 | BRACKET, VISOR MT DRV SILVERADO 2019 INNER EDGE XLP BLACK |
| 1   | F    | 07-288558-023 | BRACKET, VISOR MT PAS SILVERADO 2019 INNER EDGE XLP BLACK |
| 4   | G    | 14-08228C-060 | SCREW, 8-32 X 3/8" PAN TORX HD ROLOK SS BLACK OXIDE       |

**2013 - FUSION**

| QTY | ITEM | PART NUMBER   | DESCRIPTION                                         |
|-----|------|---------------|-----------------------------------------------------|
|     |      | 01-0687417-C  | FINAL, INNER EDGE XLP, 10/12 LIGHT                  |
| 1   | A    | 11-36E891-107 | BASE, HOUSING DRVR 2013 FUSION INNER EDGE XLP BLACK |
| 1   | B    | 11-36E891-007 | BASE, HOUSING PASS 2013 FUSION INNER EDGE XLP BLACK |
| 1   | C    | 11-26E890-107 | COVER, TOP DRVR FORD FUSION INNER EDGE XLP BLACK    |
| 1   | D    | 11-26E890-007 | COVER, TOP PASS FORD FUSION INNER EDGE XLP BLACK    |
| 1   | E    | 07-287529-123 | BRACKET, VISOR MT DRVR FUSION INNER EDGE XLP BLACK  |
| 1   | F    | 07-287529-023 | BRACKET, VISOR MT PASS FUSION INNER EDGE XLP BLACK  |
| 2   | G    | 21-12081205-3 | SCREW GROMMET, FASTEX # 212-240602-040101           |
| 2   | H    | 15-131416-202 | SCREW, 1/4 X 1 1/4 PPHSMS SS TYPE A                 |
| 2   | I    | 15-081416-160 | SCREW, 8 X 1 PPHSMS                                 |

**2013 - TAURUS/INTERCEPTOR**

| QTY | ITEM | PART NUMBER   | DESCRIPTION                                         |
|-----|------|---------------|-----------------------------------------------------|
|     |      | 01-0687417-1  | FINAL, INNER EDGE XLP, 10/12 LIGHT                  |
| 1   | A    | 11-36E485-107 | BASE, HOUSING DRVR 12 TAURUS INNER EDGE XLP BLACK   |
| 1   | B    | 11-36E485-007 | BASE, HOUSING PASS 12 TAURUS INNER EDGE XLP BLACK   |
| 1   | C    | 11-26E484-107 | COVER, TOP DRVR 12 TAURUS INNER EDGE XLP BLACK      |
| 1   | D    | 11-26E484-007 | COVER, TOP PASS 12 TAURUS INNER EDGE XLP BLACK      |
| 1   | E    | 07-287414-123 | BRACKET, VISOR MT DRVR TAURUS INNER EDGE XLP BLACK  |
| 1   | F    | 07-287414-023 | BRACKET, VISOR MT PASS TAURUS INNER EDGE XLP BLACK  |
| 4   | G    | 14-08228C-06D | SCREW, 8-32 X 3/8" PAN TORX HD ROLOK SS BLACK OXIDE |

**2013 - EXPLORER/SUV INTERCEPTOR**

| QTY | ITEM | PART NUMBER   | DESCRIPTION                                           |
|-----|------|---------------|-------------------------------------------------------|
|     |      | 01-0687417-2  | FINAL, INNER EDGE XLP, 10/12 LIGHT                    |
| 1   | A    | 11-36E300-107 | BASE, HOUSING DRIVER BLK 13 FORD SUV INNER EDGE XLP   |
| 1   | B    | 11-36E300-007 | BASE, HOUSING PASS BLACK 13 FORD SUV INNER EDGE XLP   |
| 1   | C    | 11-26E299-107 | COVER, TOP DRIVER BLACK 13 FORD SUV INNER EDGE XLP    |
| 1   | D    | 11-26E299-007 | COVER, TOP PASS BLACK 13 FORD SUV INNER EDGE XLP      |
| 1   | E    | 07-287371-123 | BRACKET, VISOR MT DRVR BLK 13 FORD SUV INNER EDGE XLP |
| 1   | F    | 07-287371-023 | BRACKET, VISOR MT PASS BLK 13 FORD SUV INNER EDGE XLP |
| 4   | G    | 14-08228C-06D | SCREW, 8-32 X 3/8" PAN TORX HD ROLOK SS BLACK OXIDE   |

**2013 - F150**

| QTY | ITEM | PART NUMBER   | DESCRIPTION                                             |
|-----|------|---------------|---------------------------------------------------------|
|     |      | 01-0687417-3  | FINAL, INNER EDGE XLP, 10/12 LIGHT                      |
| 1   | A    | 11-36E829-107 | BASE, HOUSING DRIVER BLK 13 FORD F-150 INNER EDGE XLP   |
| 1   | B    | 11-36E829-007 | BASE, HOUSING PASS BLK 13 FORD F-150 INNER EDGE XLP     |
| 1   | C    | 11-26E830-107 | COVER, TOP DRIVER BLACK 13 FORD F-150 INNER EDGE XLP    |
| 1   | D    | 11-26E830-007 | COVER, TOP PASS BLACK 13 FORD F-150 INNER EDGE XLP      |
| 1   | E    | 07-287501-123 | BRACKET, VISOR MT DRVR BLK 13 FORD F-150 INNER EDGE XLP |
| 1   | F    | 07-287501-023 | BRACKET, VISOR MT PASS BLK 13 FORD F-150 INNER EDGE XLP |
| 4   | G    | 14-08228C-06D | SCREW, 8-32 X 3/8" PAN TORX HD ROLOK SS BLACK OXIDE     |

**2013 - F250-550**

| QTY | ITEM | PART NUMBER   | DESCRIPTION                                           |
|-----|------|---------------|-------------------------------------------------------|
|     |      | 01-0687417-4  | FINAL, INNER EDGE XLP, 10/12 LIGHT                    |
| 1   | A    | 11-36E848-107 | BASE, HOUSING DRIVER BLK 13 F-250/350 INNER EDGE XLP  |
| 1   | B    | 11-36E848-007 | BASE, HOUSING PASS BLACK 13 F-250/350 INNER EDGE XLP  |
| 1   | C    | 11-26E872-107 | COVER, TOP DRIVER BLACK 2013 F-250/350 INNER EDGE XLP |
| 1   | D    | 11-26E872-007 | COVER, TOP PASS BLACK 2013 F-250/350 INNER EDGE XLP   |
| 1   | E    | 07-287511-123 | BRACKET, VISOR MT DRVR BLK F-250/350 INNER EDGE XLP   |
| 1   | F    | 07-287511-023 | BRACKET, VISOR MT PASS BLK F-250/350 INNER EDGE XLP   |
| 4   | G    | 14-08228C-06D | SCREW, 8-32 X 3/8" PAN TORX HD ROLOK SS BLACK OXIDE   |

**2013 - EXPEDITION**

| QTY | ITEM | PART NUMBER   | DESCRIPTION                                         |
|-----|------|---------------|-----------------------------------------------------|
|     |      | 01-0687417-5  | FINAL, INNER EDGE XLP, 10/12 LIGHT                  |
| 1   | A    | 11-36G031-107 | BASE, HOUSING DRVR EXPEDITION INNER EDGE XLP BLACK  |
| 1   | B    | 11-36G031-007 | BASE, HOUSING PASS EXPEDITION INNER EDGE XLP BLACK  |
| 1   | C    | 11-26G032-107 | COVER, TOP DRVR '14 EXPEDITION INNER EDGE XLP BLACK |
| 1   | D    | 11-26G032-007 | COVER, TOP PASS '14 EXPEDITION INNER EDGE XLP BLACK |
| 1   | E    | 07-287845-123 | BRACKET, VISOR MT DRVR EXPEDITON INNER EDGE XLP BLK |
| 1   | F    | 07-287846-023 | BRACKET, VISOR MT PASS EXPEDITON INNER EDGE XLP BLK |
| 4   | G    | 14-08228C-06D | SCREW, 8-32 X 3/8" PAN TORX HD ROLOK SS BLACK OXIDE |

**2015 - F150**

| QTY | ITEM | PART NUMBER   | DESCRIPTION                                             |
|-----|------|---------------|---------------------------------------------------------|
| *   |      | 01-0687417-E  | FINAL, INNER EDGE XLP, 10/12 LIGHT                      |
| 1   | A    | 11-36G373-107 | BASE, HOUSING DRIVER BLACK 15 FORD F-150 INNER EDGE XLP |
| 1   | B    | 11-36G373-007 | BASE, HOUSING PASS BLACK 15 FORD F-150 INNER EDGE XLP   |
| 1   | C    | 11-26G374-107 | COVER, TOP DRIVER BLACK 15 FORD F-150 INNER EDGE XLP    |
| 1   | D    | 11-26G374-007 | COVER, TOP PASS BLACK 15 FORD F-150 INNER EDGE XLP      |
| 1   | E    | 07-287988-123 | BRACKET, VISOR MT DRVR BLK 15 FORD F-150 INNER EDGE XLP |
| 1   | F    | 07-287988-023 | BRACKET, VISOR MT PASS BLK 15 FORD F-150 INNER EDGE XLP |
| 4   | G    | 14-08228C-06D | SCREW, 8-32 X 3/8" PAN TORX HD ROLOK SS BLACK OXIDE     |

**2018 - EXPEDITION**

| QTY | ITEM | PART NUMBER   | DESCRIPTION                                            |
|-----|------|---------------|--------------------------------------------------------|
| *   |      | 01-0687417-F  | FINAL, INNER EDGE XLP, 10/12 LIGHT                     |
| 1   | A    | 11-36J151-107 | BASE, HOUSING DRVR EXPEDITION INNER EDGE XLP BLACK     |
| 1   | B    | 11-36J151-007 | BASE, HOUSING PASS EXPEDITION INNER EDGE XLP BLACK     |
| 1   | C    | 11-26J152-107 | COVER, TOP DRVR '18 EXPEDITION LC INNER EDGE XLP BLACK |
| 1   | D    | 11-26J152-007 | COVER, TOP PASS '18 EXPEDITION LC INNER EDGE XLP BLACK |
| 1   | E    | 07-288533-123 | BRACKET, VISOR MT DS EXPEDITION INNER EDGE XLP BLACK   |
| 1   | F    | 07-288533-023 | BRACKET, VISOR MT PS EXPEDITION INNER EDGE XLP BLACK   |
| 4   | G    | 14-08228C-06D | SCREW, 8-32 X 3/8" PAN TORX HD ROLOK SS BLACK OXIDE    |