

WHELEN[®]

ENGINEERING COMPANY INC.

51 Winthrop Road
Chester, Connecticut 06412-0684
Phone: (860) 526-9504
Fax: (860) 526-4078
Internet: www.whelen.com
Sales e-mail: autosale@whelen.com
Canadian Sales e-mail: canadiansales@whelen.com
Customer Service e-mail: custserv@whelen.com

Installation Guide: ION™ Lighthouse Installation (Bracket Mount)

Automotive: Lighthouses

Mounting Procedure...

1. The brackets included with this kit have been designed to install in any of the 4 locations shown (see Fig. 1).
2. Using the #6-32 x 5/16 hardware provided, secure the lighthouse to the bracket as shown in Fig. 2.
3. Using the #8 x 5/8 hardware provided, secure the lighthouse/bracket assembly to the mounting rail shown. Be sure not to pinch the wires between the bracket and the rail.
4. Repeat this procedure for all remaining lighthouses.
5. Refer to the instructions included with your lighthouse for wiring and operational information.

Fig. 1

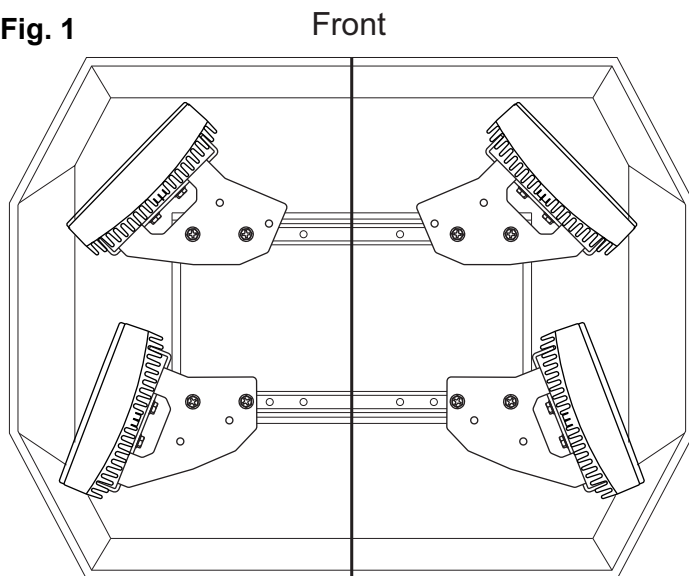
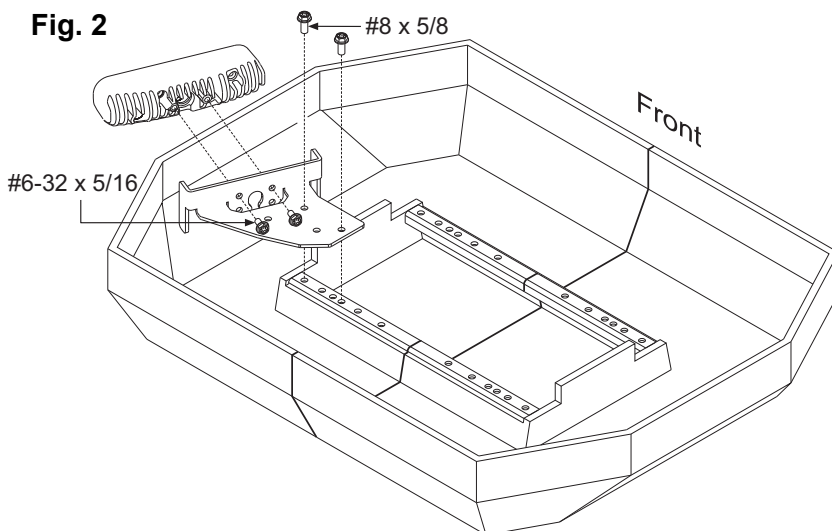


Fig. 2



For warranty information regarding this product, visit www.whelen.com/warranty