

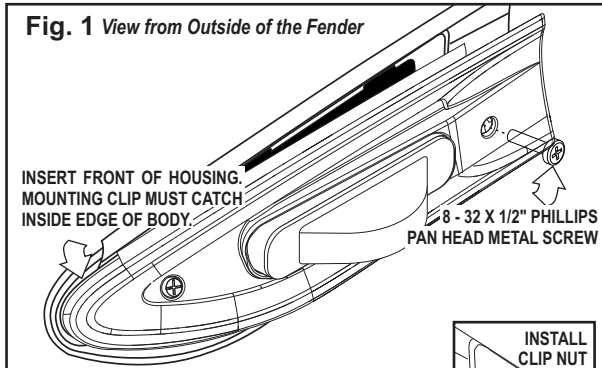
# WHELEN<sup>®</sup>

ENGINEERING COMPANY INC.

51 Winthrop Road,  
Chester, Connecticut 06412-0684  
Phone: (860) 526-9504  
Fax: (860) 526-4078

## Installation Guide: SideKick™ V Series Fender Light 2012 - 2013 Ford Police Interceptor Sedan

Internet: [www.whelen.com](http://www.whelen.com)  
Sales e-mail: [autosale@whelen.com](mailto:autosale@whelen.com)  
Canadian Sales e-mail: [canadiansales@whelen.com](mailto:canadiansales@whelen.com)  
Customer Service e-mail: [custserv@whelen.com](mailto:custserv@whelen.com)



### Installation:

1. Remove the vent panel from the vehicle per manufacturers instructions and install the supplied clip nut onto the fender on the vent rear mounting hole.
2. Install the V Series lighthouse into the SideKick™ panel using the 2 supplied washer head screws (Fig. 2).

©2013 Whelen Engineering Company Inc.  
Form No.14720 (080613)

3. Extend the lighthouse wires into the fender to the power source and install the SideKick™ panel by first inserting the front into the fender opening so that the 2 mounting clips on the SideKick™ grab the inside of the fender (Figs. 1 & 2).
4. Next swing the rear of the SideKick™ toward the fender so that the rear mounting hole lines up with the clip nut you installed and secure it with the supplied 8 - 32 X 1/2" Phillips Pan Head Metal Screw.

**IMPORTANT: It is the responsibility of the installation technician to make sure that the installation and operation of this product will not interfere with or compromise the operation or efficiency of any vehicle equipment!**

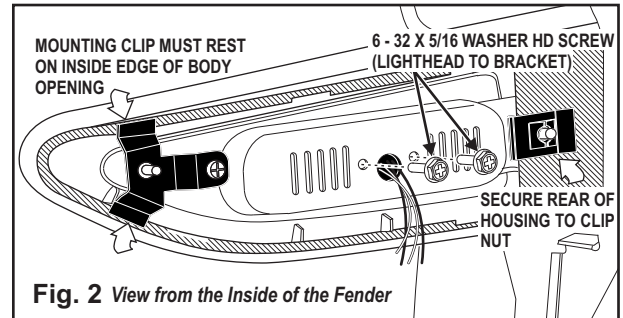


Fig. 2 View from the Inside of the Fender

For warranty information regarding this product, visit [www.whelen.com/warranty](http://www.whelen.com/warranty)

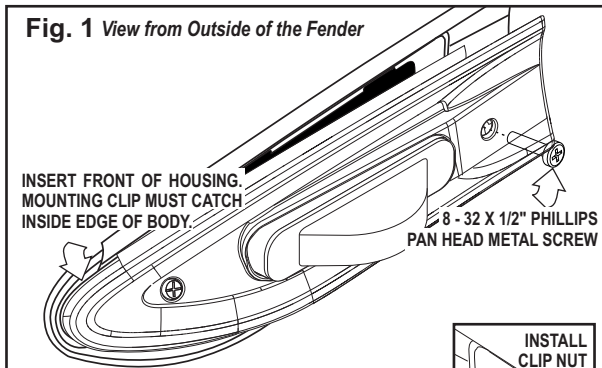
# WHELEN<sup>®</sup>

ENGINEERING COMPANY INC.

51 Winthrop Road,  
Chester, Connecticut 06412-0684  
Phone: (860) 526-9504  
Fax: (860) 526-4078

## Installation Guide: SideKick™ V Series Fender Light 2012 - 2013 Ford Police Interceptor Sedan

Internet: [www.whelen.com](http://www.whelen.com)  
Sales e-mail: [autosale@whelen.com](mailto:autosale@whelen.com)  
Canadian Sales e-mail: [canadiansales@whelen.com](mailto:canadiansales@whelen.com)  
Customer Service e-mail: [custserv@whelen.com](mailto:custserv@whelen.com)



### Installation:

1. Remove the vent panel from the vehicle per manufacturers instructions and install the supplied clip nut onto the fender on the vent rear mounting hole.
2. Install the V Series lighthouse into the SideKick™ panel using the 2 supplied washer head screws (Fig. 2).

©2013 Whelen Engineering Company Inc.  
Form No.14720 (080613)

3. Extend the lighthouse wires into the fender to the power source and install the SideKick™ panel by first inserting the front into the fender opening so that the 2 mounting clips on the SideKick™ grab the inside of the fender (Figs. 1 & 2).
4. Next swing the rear of the SideKick™ toward the fender so that the rear mounting hole lines up with the clip nut you installed and secure it with the supplied 8 - 32 X 1/2" Phillips Pan Head Metal Screw.

**IMPORTANT: It is the responsibility of the installation technician to make sure that the installation and operation of this product will not interfere with or compromise the operation or efficiency of any vehicle equipment!**

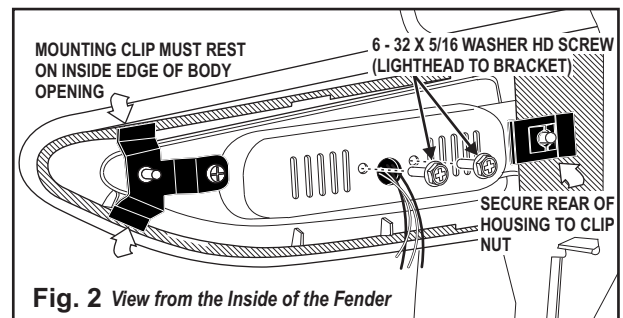


Fig. 2 View from the Inside of the Fender

For warranty information regarding this product, visit [www.whelen.com/warranty](http://www.whelen.com/warranty)

### Wiring:

**WARNING: All customer supplied wires that connect to the positive terminal of the battery must be sized to supply at least 125% of the maximum operating current and FUSED at the battery to carry that load. DO NOT USE CIRCUIT BREAKERS WITH THIS PRODUCT!**

**Ground (BLK)** - Extend to chassis ground.

**Warning Light (RED)** - Extend to +12VDC via an SP/ST switch (fuse @ 3A).

**Alley Light (WHT/BLK)** - Extend to +12VDC via an SP/ST switch (fuse @ 3A).

**Puddle Light (WHT/VIO)** - Extend to +12VDC via an SP/ST switch (fuse @ 1A).

**Scan-Lock (GRY)** - Extend to +12VDC via an MOM switch (fuse @ 1A).

**SYNC (GRY)** - See below.

### Operation:

**Scan-Lock™** - Note: The light must be on to change patterns.

**To advance to next pattern:** Apply +VDC to the WHT/VIO wire for less than 1 second.

**To cycle backwards:** Apply +VDC to the WHT/VIO wire for more than 1 second.

**To reset to the factory default pattern:** Turn off power to the light. While applying +VDC to the WHT/VIO wire, turn the light back on. Continue to apply voltage for 5 seconds.

**SYNC** - Lights configured to display the Phase 1 mode of a pattern will flash simultaneously. Lights configured to display the Phase 2 mode will alternate with any Phase 1 lights with the same pattern.

To sync two lights, configure both lights to display the same Phase 1 pattern. Turn power off and connect the GREY wires from each light together. When the lights are activated, their patterns will be synchronized. To configure the two lights to alternate their patterns, advance the pattern of either lights to Phase 2 of the current pattern.

### IMPORTANT WARNING!

**CAUTION! DO NOT LOOK DIRECTLY AT THESE LED'S WHILE THEY ARE ON. MOMENTARY BLINDNESS AND/OR EYE DAMAGE COULD RESULT!**

### Wiring:

**WARNING: All customer supplied wires that connect to the positive terminal of the battery must be sized to supply at least 125% of the maximum operating current and FUSED at the battery to carry that load. DO NOT USE CIRCUIT BREAKERS WITH THIS PRODUCT!**

**Ground (BLK)** - Extend to chassis ground.

**Warning Light (RED)** - Extend to +12VDC via an SP/ST switch (fuse @ 3A).

**Alley Light (WHT/BLK)** - Extend to +12VDC via an SP/ST switch (fuse @ 3A).

**Puddle Light (WHT/VIO)** - Extend to +12VDC via an SP/ST switch (fuse @ 1A).

**Scan-Lock (GRY)** - Extend to +12VDC via an MOM switch (fuse @ 1A).

**SYNC (GRY)** - See below.

### Operation:

**Scan-Lock™** - Note: The light must be on to change patterns.

**To advance to next pattern:** Apply +VDC to the WHT/VIO wire for less than 1 second.

**To cycle backwards:** Apply +VDC to the WHT/VIO wire for more than 1 second.

**To reset to the factory default pattern:** Turn off power to the light. While applying +VDC to the WHT/VIO wire, turn the light back on. Continue to apply voltage for 5 seconds.

**SYNC** - Lights configured to display the Phase 1 mode of a pattern will flash simultaneously. Lights configured to display the Phase 2 mode will alternate with any Phase 1 lights with the same pattern.

To sync two lights, configure both lights to display the same Phase 1 pattern. Turn power off and connect the GREY wires from each light together. When the lights are activated, their patterns will be synchronized. To configure the two lights to alternate their patterns, advance the pattern of either lights to Phase 2 of the current pattern.

### IMPORTANT WARNING!

**CAUTION! DO NOT LOOK DIRECTLY AT THESE LED'S WHILE THEY ARE ON. MOMENTARY BLINDNESS AND/OR EYE DAMAGE COULD RESULT!**

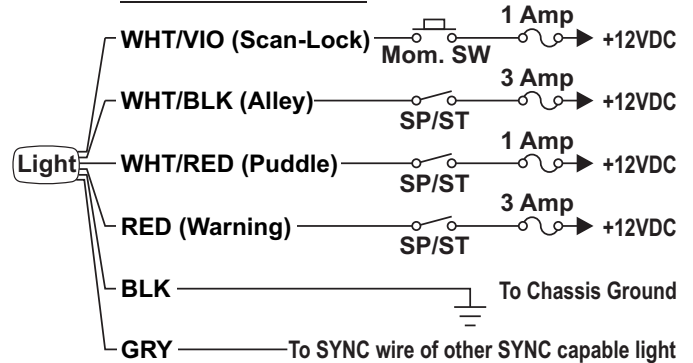
### Flash Patterns (SYNC)

1. SignalAlert™ 75 / phase 1
2. SignalAlert™ 75 / phase 2
3. CometFlash® 75 / phase 1
4. CometFlash® 75 / phase 2
5. DoubleFlash 75 / phase 1
6. DoubleFlash 75 / phase 2
7. SingleFlash 75 / phase 1
8. SingleFlash 75 / phase 2
9. ComAlert™ 75 / phase 1
10. ComAlert™ 75 / phase 2
11. LongBurst™ 75 / phase 1
12. LongBurst™ 75 / phase 2
13. PingPong™ 75 / phase 1
14. PingPong™ 75 / phase 2

### Flash Patterns (NON SYNC)

15. SingleFlash 60
16. SingleFlash 90
17. SingleFlash 120
18. SingleFlash 300
19. DoubleFlash 150
20. ComAlert™ 150
21. ActionFlash™ 50
22. ActionFlash™ 150
23. ModuFlash™
24. ActionScan™
25. Steady

### WIRING DIAGRAM



### Flash Patterns (SYNC)

1. SignalAlert™ 75 / phase 1
2. SignalAlert™ 75 / phase 2
3. CometFlash® 75 / phase 1
4. CometFlash® 75 / phase 2
5. DoubleFlash 75 / phase 1
6. DoubleFlash 75 / phase 2
7. SingleFlash 75 / phase 1
8. SingleFlash 75 / phase 2
9. ComAlert™ 75 / phase 1
10. ComAlert™ 75 / phase 2
11. LongBurst™ 75 / phase 1
12. LongBurst™ 75 / phase 2
13. PingPong™ 75 / phase 1
14. PingPong™ 75 / phase 2

### Flash Patterns (NON SYNC)

15. SingleFlash 60
16. SingleFlash 90
17. SingleFlash 120
18. SingleFlash 300
19. DoubleFlash 150
20. ComAlert™ 150
21. ActionFlash™ 50
22. ActionFlash™ 150
23. ModuFlash™
24. ActionScan™
25. Steady

### WIRING DIAGRAM

