

WHELEN[®]

ENGINEERING COMPANY INC.

51 Winthrop Road,
Chester, Connecticut 06412-0684
Phone: (860) 526-9504
Fax: (860) 526-4078

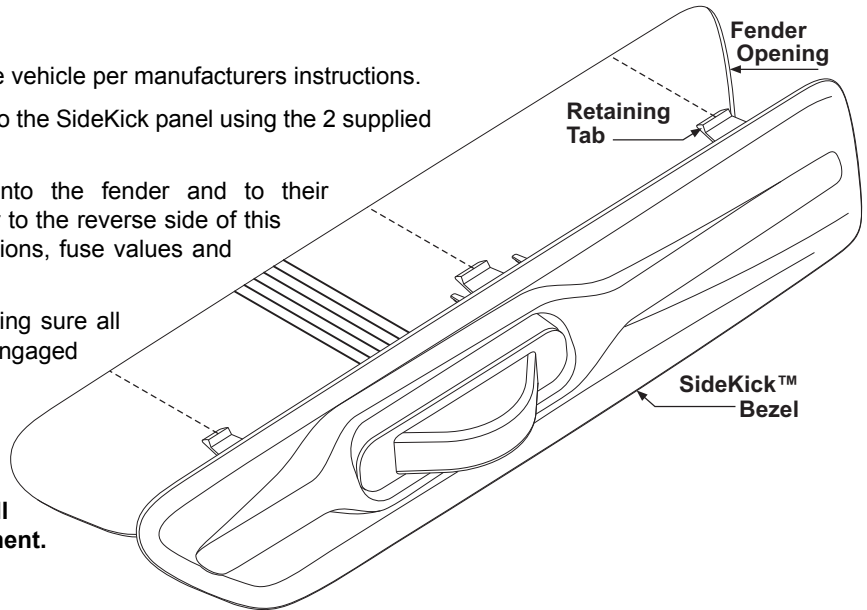
Internet: www.whelen.com
Sales e-mail: autosale@whelen.com
Canadian Sales e-mail: canadiansales@whelen.com
Customer Service e-mail: custserv@whelen.com

Installation Guide: SideKick™ V Series Fender Light 2012 - 2013 Chevrolet Caprice

Installation:

1. Remove the vent panel from the vehicle per manufacturers instructions.
2. Install the V Series lighthead into the SideKick panel using the 2 supplied washer head screws.
3. Extend the lighthead wires into the fender and to their appropriate designations. Refer to the reverse side of this document for wire colors, functions, fuse values and switch information.
4. Install the SideKick panel, making sure all of the retaining tabs are fully engaged and locked into place.

IMPORTANT: Before returning the vehicle to active service, visually confirm proper operation of this product as well as all vehicle components/equipment.



©2013 Whelen Engineering Company Inc.
Form No.14721(080713)

For warranty information regarding this product, visit www.whelen.com/warranty

WHELEN[®]

ENGINEERING COMPANY INC.

51 Winthrop Road,
Chester, Connecticut 06412-0684
Phone: (860) 526-9504
Fax: (860) 526-4078

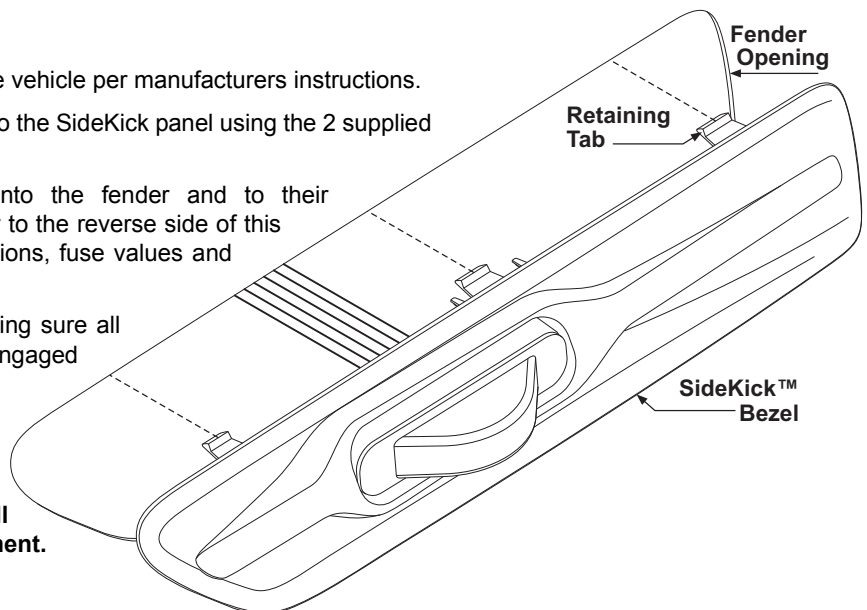
Internet: www.whelen.com
Sales e-mail: autosale@whelen.com
Canadian Sales e-mail: canadiansales@whelen.com
Customer Service e-mail: custserv@whelen.com

Installation Guide: SideKick™ V Series Fender Light 2012 - 2013 Chevrolet Caprice

Installation:

1. Remove the vent panel from the vehicle per manufacturers instructions.
2. Install the V Series lighthead into the SideKick panel using the 2 supplied washer head screws.
3. Extend the lighthead wires into the fender and to their appropriate designations. Refer to the reverse side of this document for wire colors, functions, fuse values and switch information.
4. Install the SideKick panel, making sure all of the retaining tabs are fully engaged and locked into place.

IMPORTANT: Before returning the vehicle to active service, visually confirm proper operation of this product as well as all vehicle components/equipment.



©2013 Whelen Engineering Company Inc.
Form No.14721(080713)

For warranty information regarding this product, visit www.whelen.com/warranty

Wiring:

WARNING: All customer supplied wires that connect to the positive terminal of the battery must be sized to supply at least 125% of the maximum operating current and FUSED at the battery to carry that load. DO NOT USE CIRCUIT BREAKERS WITH THIS PRODUCT!

Ground (BLK) - Extend to chassis ground.

Warning Light (RED) - Extend to +12VDC via an SP/ST switch (fuse @ 3A).

Alley Light (WHT/BLK) - Extend to +12VDC via an SP/ST switch (fuse @ 3A).

Puddle Light (WHT/VIO) - Extend to +12VDC via an SP/ST switch (fuse @ 1A).

Scan-Lock (GRY) - Extend to +12VDC via an MOM switch (fuse @ 1A).

SYNC (GRY) - See below.

Operation:

Scan-Lock™ - Note: The light must be on to change patterns.

To advance to next pattern: Apply +VDC to the WHT/VIO wire for less than 1 second.

To cycle backwards: Apply +VDC to the WHT/VIO wire for more than 1 second.

To reset to the factory default pattern: Turn off power to the light. While applying +VDC to the WHT/VIO wire, turn the light back on. Continue to apply voltage for 5 seconds.

SYNC - Lights configured to display the Phase 1 mode of a pattern will flash simultaneously. Lights configured to display the Phase 2 mode will alternate with any Phase 1 lights with the same pattern.

To sync two lights, configure both lights to display the same Phase 1 pattern. Turn power off and connect the GREY wires from each light together. When the lights are activated, their patterns will be synchronized. To configure the two lights to alternate their patterns, advance the pattern of either lights to Phase 2 of the current pattern.

IMPORTANT WARNING!

CAUTION! DO NOT LOOK DIRECTLY AT THESE LED'S WHILE THEY ARE ON. MOMENTARY BLINDNESS AND/OR EYE DAMAGE COULD RESULT!

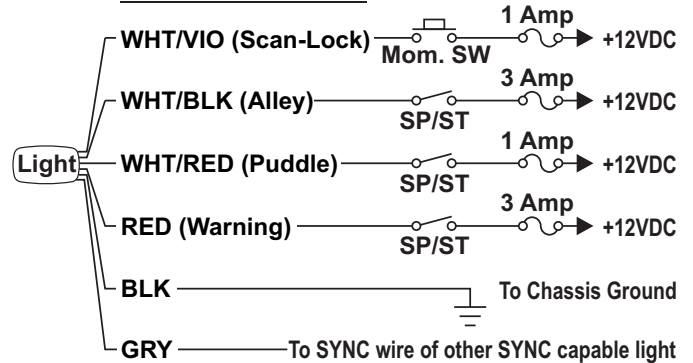
Flash Patterns (SYNC)

1. SignalAlert™ 75 / phase 1
2. SignalAlert™ 75 / phase 2
3. CometFlash® 75 / phase 1
4. CometFlash® 75 / phase 2
5. DoubleFlash 75 / phase 1
6. DoubleFlash 75 / phase 2
7. SingleFlash 75 / phase 1
8. SingleFlash 75 / phase 2
9. ComAlert™ 75 / phase 1
10. ComAlert™ 75 / phase 2
11. LongBurst™ 75 / phase 1
12. LongBurst™ 75 / phase 2
13. PingPong™ 75 / phase 1
14. PingPong™ 75 / phase 2

Flash Patterns (NON SYNC)

15. SingleFlash 60
16. SingleFlash 90
17. SingleFlash 120
18. SingleFlash 300
19. DoubleFlash 150
20. ComAlert™ 150
21. ActionFlash™ 50
22. ActionFlash™ 150
23. ModuFlash™
24. ActionScan™
25. Steady

WIRING DIAGRAM



Wiring:

WARNING: All customer supplied wires that connect to the positive terminal of the battery must be sized to supply at least 125% of the maximum operating current and FUSED at the battery to carry that load. DO NOT USE CIRCUIT BREAKERS WITH THIS PRODUCT!

Ground (BLK) - Extend to chassis ground.

Warning Light (RED) - Extend to +12VDC via an SP/ST switch (fuse @ 3A).

Alley Light (WHT/BLK) - Extend to +12VDC via an SP/ST switch (fuse @ 3A).

Puddle Light (WHT/VIO) - Extend to +12VDC via an SP/ST switch (fuse @ 1A).

Scan-Lock (GRY) - Extend to +12VDC via an MOM switch (fuse @ 1A).

SYNC (GRY) - See below.

Operation:

Scan-Lock™ - Note: The light must be on to change patterns.

To advance to next pattern: Apply +VDC to the WHT/VIO wire for less than 1 second.

To cycle backwards: Apply +VDC to the WHT/VIO wire for more than 1 second.

To reset to the factory default pattern: Turn off power to the light. While applying +VDC to the WHT/VIO wire, turn the light back on. Continue to apply voltage for 5 seconds.

SYNC - Lights configured to display the Phase 1 mode of a pattern will flash simultaneously. Lights configured to display the Phase 2 mode will alternate with any Phase 1 lights with the same pattern.

To sync two lights, configure both lights to display the same Phase 1 pattern. Turn power off and connect the GREY wires from each light together. When the lights are activated, their patterns will be synchronized. To configure the two lights to alternate their patterns, advance the pattern of either lights to Phase 2 of the current pattern.

IMPORTANT WARNING!

CAUTION! DO NOT LOOK DIRECTLY AT THESE LED'S WHILE THEY ARE ON. MOMENTARY BLINDNESS AND/OR EYE DAMAGE COULD RESULT!

Flash Patterns (SYNC)

1. SignalAlert™ 75 / phase 1
2. SignalAlert™ 75 / phase 2
3. CometFlash® 75 / phase 1
4. CometFlash® 75 / phase 2
5. DoubleFlash 75 / phase 1
6. DoubleFlash 75 / phase 2
7. SingleFlash 75 / phase 1
8. SingleFlash 75 / phase 2
9. ComAlert™ 75 / phase 1
10. ComAlert™ 75 / phase 2
11. LongBurst™ 75 / phase 1
12. LongBurst™ 75 / phase 2
13. PingPong™ 75 / phase 1
14. PingPong™ 75 / phase 2

Flash Patterns (NON SYNC)

15. SingleFlash 60
16. SingleFlash 90
17. SingleFlash 120
18. SingleFlash 300
19. DoubleFlash 150
20. ComAlert™ 150
21. ActionFlash™ 50
22. ActionFlash™ 150
23. ModuFlash™
24. ActionScan™
25. Steady

WIRING DIAGRAM

