

WHELEN[®]

ENGINEERING COMPANY INC.

51 Winthrop Road
 Chester, Connecticut 06412-0684
 Phone: (860) 526-9504
 Fax: (860) 526-2009
 Internet: www.whelen.com
 Sales/Service e-mail: aviation@whelen.com

Installation Guide: Aviation model 9066700 P/N 01-0790667-00 LED Tail Position and Anti-Collision Light Assembly

TSO-C30c
 TYPE III
 APPROVED

TSO-C96a
 CLASS II;
 APPROVED



The conditions and tests required for TSO approval of this article are minimum performance standards. It is the responsibility of those installing this article either on or within a specific type or class of aircraft to determine that the aircraft installation conditions are within the TSO standards. TSO articles must have separate approval for installation in aircraft. The article may be installed only if performed under 14 CFR part 43 or the applicable airworthiness requirements.

SPECIFICATIONS (with Flasher Model 7123407):

Nominal Operational Voltage:.....28 VDC
 (Operation from 24-32 VDC)
 LED Position Light:.....0.26 Amps
 LED Anti-Collision Light (Average):.....0.8 Amps
 LED Anti-Collision Light (Pulse@0.25 sec.):.....4.1 Amps
 Flashrate45± 5 per min.

EQUIPMENT LIMITATIONS:

An approved lighting system consists of three lights, one located on the tail and one located on each wingtip. Model 9066700 is a tail position and anti-collision light. A separate flasher assembly such as model 7123407 is required. The assembly should be mounted as far aft on the aircraft as practicable on a thermally conductive surface. The baseplate must be mounted parallel to the vertical and horizontal centerlines of the aircraft to project the patterns properly. Certain types of installations may require additional testing.

CONTINUED AIRWORTHINESS:

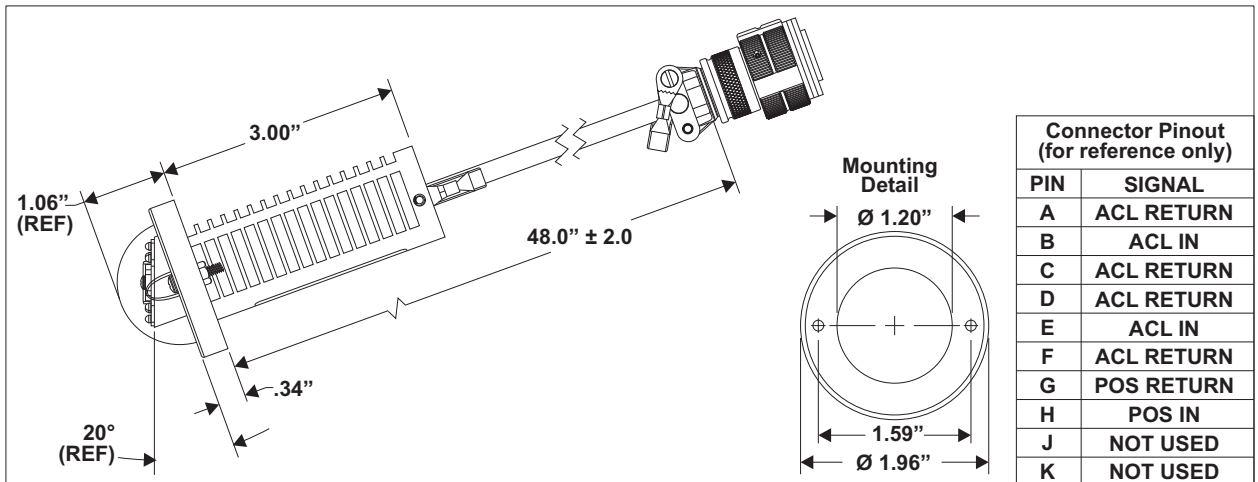
The tail position light is designed with 6 LEDs. The anti-collision light is designed with 24 LEDs. If any one LED fails the unit must be repaired or replaced.

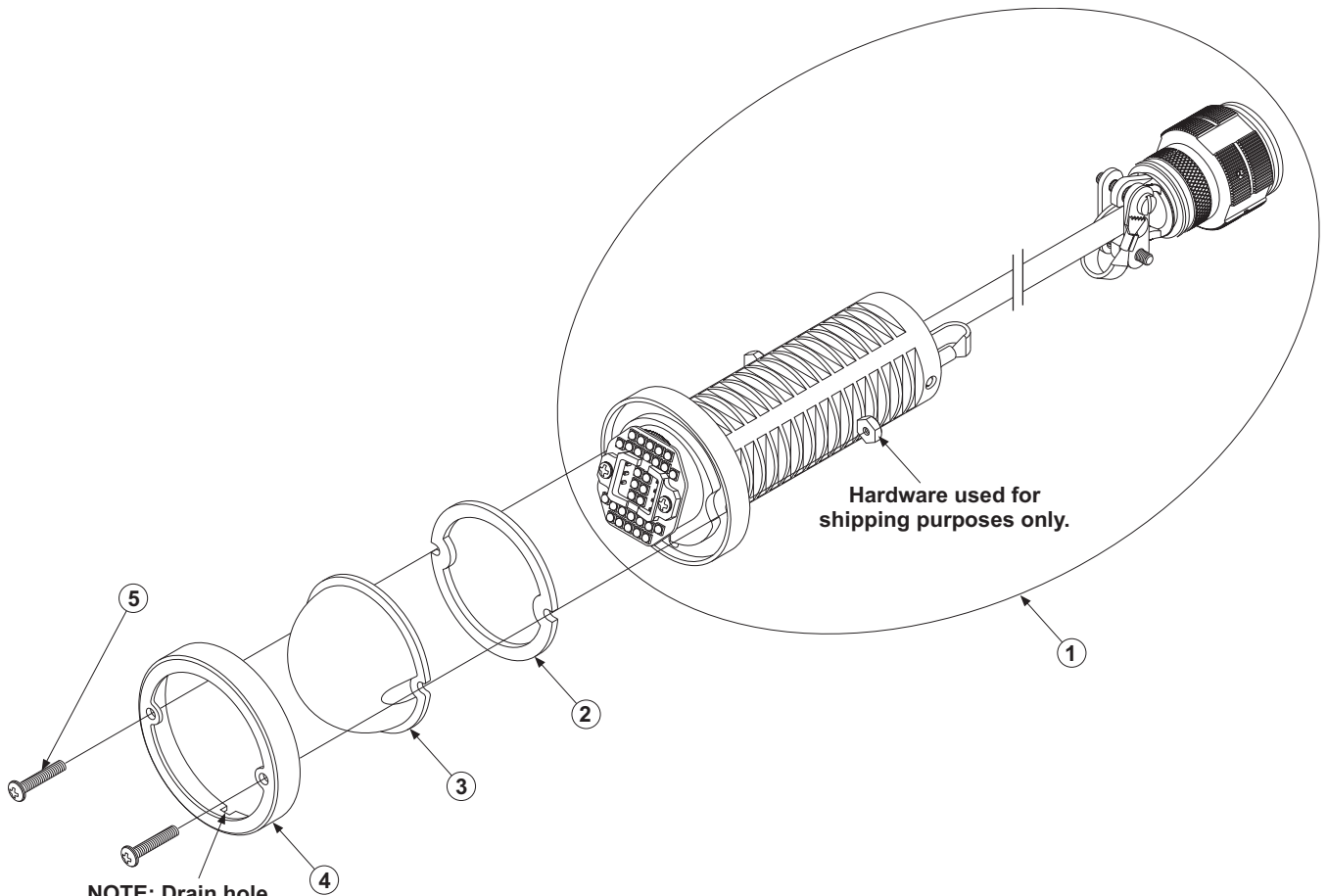
Note: To reduce eye strain, use an optical filter such as dark glasses or a blue covering dome during LED inspection. Inspect the lens. Replace if there is excessive scratching, pitting, discoloration or cracking.

INSTALLATION PROCEDURES:

The following information is to assist in installing a Whelen light system.

1. Using the mounting detail information provided, prepare the aircraft for means to secure the LED light assembly.
2. Carefully remove and save the #4 Phillips screws (qty. 2).
3. Install the unit to the aircraft. Insure that all leads are clear of any obstructions and secured as required. Note that proper orientation is achieved with the drain hole down.
4. Connect the light inputs to flasher Model 7123407.
5. When necessary, seal the light base to aircraft. Apply sealant around the perimeter of the base. Do not cover the drain hole.
6. Check all avionics systems for interference from this installation.
7. A flight check should be performed by a properly certified pilot.
8. Update aircraft records, complete Form 337 and obtain FAA field approval for installation, if required.





| QTY | ITEM | PART NUMBER | DESCRIPTION |
|-----|------|---------------|--|
| * | * | 01-0790667-00 | 90667 TAIL POSITION/ANTI-COLLISION LIGHT |
| 1 | 1 | 01-0290708-00 | SUB-ASSEMBLY, MODEL 90667 |
| 1 | 2 | 38-0231346-00 | GASKET, LENS, MODEL 90667 |
| 1 | 3 | 68-3951061A31 | LENS, MODEL 90667 |
| 1 | 4 | 19-151062-100 | RETAINER, LENS, MODEL 90667 |
| 2 | 5 | 14-0050505-18 | SCREW, 4-40 x 5/8 PPHMS (MS51957-18) |