

## WHELEN<sup>®</sup> ENGINEERING COMPANY INC.

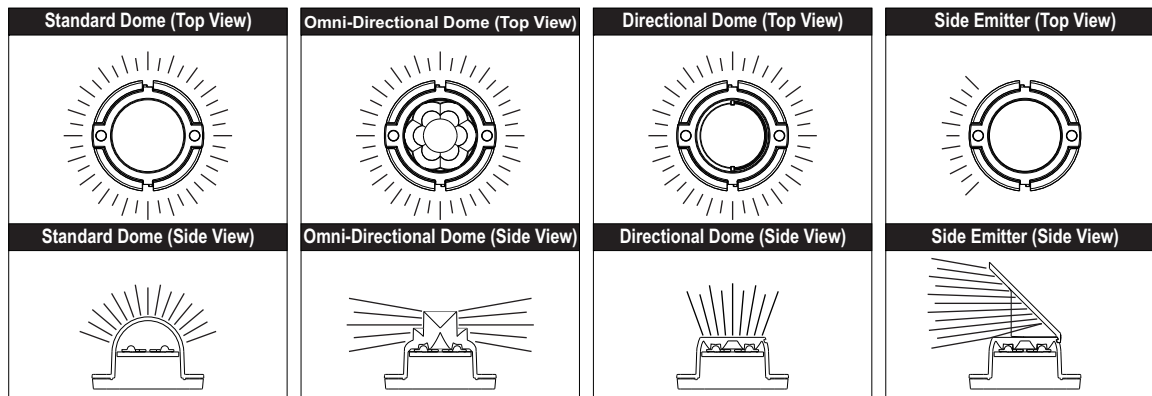
51 Winthrop Road,  
Chester, Connecticut 06412-0684  
Phone: (860) 526-9504  
Fax: (860) 526-4078

Internet: [www.whelen.com](http://www.whelen.com)  
Sales e-mail: [autosale@whelen.com](mailto:autosale@whelen.com)  
Canadian Sales e-mail: [canadiansales@whelen.com](mailto:canadiansales@whelen.com)  
Customer Service e-mail: [custserv@whelen.com](mailto:custserv@whelen.com)

There are four (4) different optics available for the Multi-Optic Vertex, each having their own unique light disbursement properties.

Refer to the images shown below to help you select the dome that best suits your needs.

NOTE: The Side Emitter is designed to work in conjunction with the directional dome. Mount the side emitter along the groove in the directional dome until both of the side emitters retaining fingers 'click' into place.



©2013 Whelen Engineering Company Inc.  
Form No. 14747 (120313)

For warranty information regarding this product, visit [www.whelen.com/warranty](http://www.whelen.com/warranty)

## Installation Guide: Multi-Optic Vertex™ Lens Kit

## WHELEN<sup>®</sup> ENGINEERING COMPANY INC.

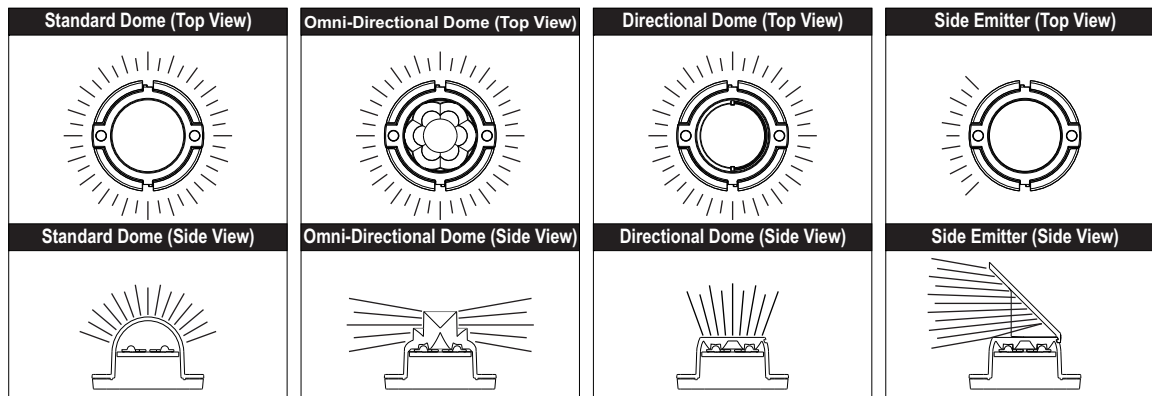
51 Winthrop Road,  
Chester, Connecticut 06412-0684  
Phone: (860) 526-9504  
Fax: (860) 526-4078

Internet: [www.whelen.com](http://www.whelen.com)  
Sales e-mail: [autosale@whelen.com](mailto:autosale@whelen.com)  
Canadian Sales e-mail: [canadiansales@whelen.com](mailto:canadiansales@whelen.com)  
Customer Service e-mail: [custserv@whelen.com](mailto:custserv@whelen.com)

There are four (4) different optics available for the Multi-Optic Vertex, each having their own unique light disbursement properties.

Refer to the images shown below to help you select the dome that best suits your needs.

NOTE: The Side Emitter is designed to work in conjunction with the directional dome. Mount the side emitter along the groove in the directional dome until both of the side emitters retaining fingers 'click' into place.



©2013 Whelen Engineering Company Inc.  
Form No. 14747 (120313)

For warranty information regarding this product, visit [www.whelen.com/warranty](http://www.whelen.com/warranty)