

# WHELEN<sup>®</sup>

ENGINEERING COMPANY INC.

Route 145, Winthrop Road,  
 Chester, Connecticut 06412  
 Phone: (860) 526-9504  
 Fax: (860) 526-2009  
 Internet: [www.whelen.com](http://www.whelen.com)  
 Sales/Service e-mail: [aviation@whelen.com](mailto:aviation@whelen.com)

**Installation Guide:**  
**Model 7089600**  
**P/N 01-0770896-00**  
**APU Fire Warning Horn**



**INSTALLATION PROCEDURES:** The following information is to assist in the installation of a Whelen APU Fire Warning Horn.

- Using approved connectors, wire the unit as shown (Fig.1). Tighten the hardware until a maximum torque value of 6 in./lbs. is achieved.
- Install the unit using the mounting diagram shown (Fig.2). Insure that the wire leads are clear of any obstructions and ty-wrap as required.
- Check all avionics systems for interference from the installation.
- A flight check should be performed by a properly certified pilot.
- Update aircraft records, complete Form 337 and obtain FAA field approval for installation, if necessary

Fig. 1

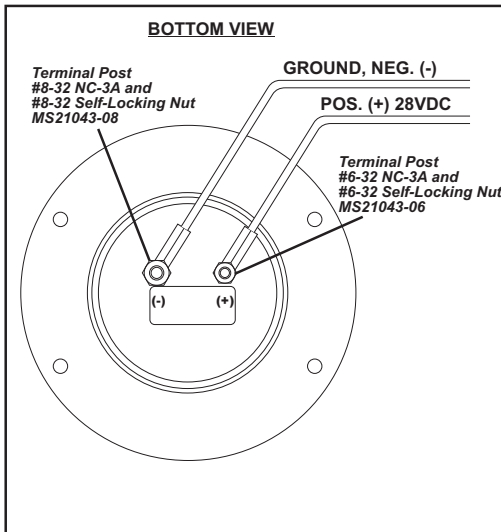


Fig. 2

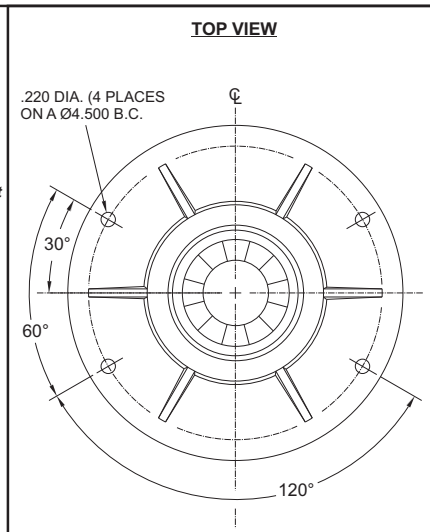
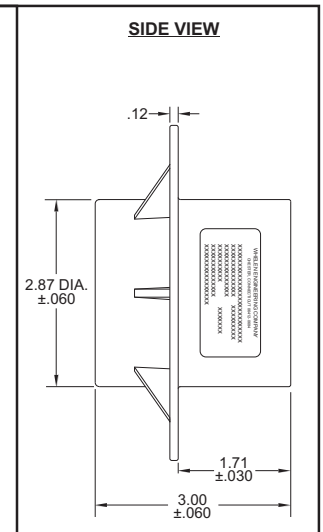


Fig. 3



**GENERAL NOTES**

- VOLTAGE - 28V NOM. (18VDC MIN TO 32VDC MAX.)
- CURRENT @ 28V - 55ma TYP. / 600ma MAX
- SOUND INTENSITY - The signal provides a sound intensity of 106dB (+10dB - 3dB) as indicated on a standard meter at a distance of 3 feet when operated at 28VDC under conditions encountered in a sound-proof room.
- FREQUENCY - 25-20,000 HZ
- WEIGHT - 1.25 lbs.

**Aviation**