

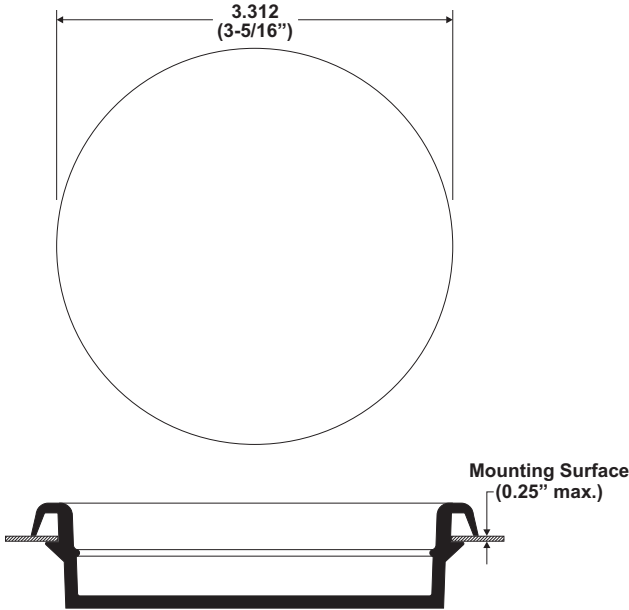
# WHELEN<sup>®</sup>

ENGINEERING COMPANY INC.

51 Winthrop Road,  
Chester, Connecticut 06412-0684  
Phone: (860) 526-9504  
Fax: (860) 526-4078

## Installation Guide: 3-Inch Round Body Mount Grommet

Internet: [www.whelen.com](http://www.whelen.com)  
Sales e-mail: [autosale@whelen.com](mailto:autosale@whelen.com)  
Canadian Sales e-mail: [canadiansales@whelen.com](mailto:canadiansales@whelen.com)  
Customer Service e-mail: [custserv@whelen.com](mailto:custserv@whelen.com)



©2014 Whelen Engineering Company Inc.  
Form No.14766 (020714)

For warranty information regarding this product, visit [www.whelen.com/warranty](http://www.whelen.com/warranty)

### Mounting...

Position the lighthead grommet onto the proposed mounting location. Note that the mounting surface must be perfectly flat and can NOT have a thickness greater than 0.25 inches.

**IMPORTANT!** As mounting this product will require removing part of the mounting surface, it is absolutely necessary to make sure that no other vehicle components could be damaged by this process. Check both sides of the mounting surface before starting. If damage is possible, select a different location.

1. Using the information provided, create an opening in the mounting surface that precisely matches the dimension shown. Thoroughly deburr the edges of the opening before proceeding.
2. Route the lighthead wires through the body grommet. Complete the electrical connections as outlined in the instructions included with your lighthead.
3. Install the body grommet into the opening created in step 1. Make sure the grommet fully engages the entire opening in mounting surface .
4. Install the lighthead into the body grommet so that it is fully seated.

**IMPORTANT!** It is the responsibility of the installer to make sure that the installation and operation of this product will not interfere with or compromise the operation or efficiency of any vehicle equipment.

**IMPORTANT!** Before returning the vehicle to active service, visually confirm the proper operation of this product, as well as all vehicle components/ equipment.

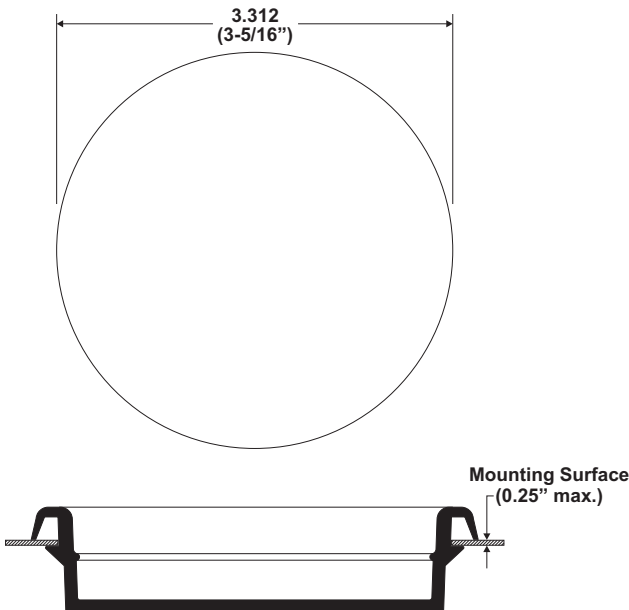
# WHELEN<sup>®</sup>

ENGINEERING COMPANY INC.

51 Winthrop Road,  
Chester, Connecticut 06412-0684  
Phone: (860) 526-9504  
Fax: (860) 526-4078

## Installation Guide: 3-Inch Round Body Mount Grommet

Internet: [www.whelen.com](http://www.whelen.com)  
Sales e-mail: [autosale@whelen.com](mailto:autosale@whelen.com)  
Canadian Sales e-mail: [canadiansales@whelen.com](mailto:canadiansales@whelen.com)  
Customer Service e-mail: [custserv@whelen.com](mailto:custserv@whelen.com)



©2014 Whelen Engineering Company Inc.  
Form No.14766 (020714)

For warranty information regarding this product, visit [www.whelen.com/warranty](http://www.whelen.com/warranty)

### Mounting...

Position the lighthead grommet onto the proposed mounting location. Note that the mounting surface must be perfectly flat and can NOT have a thickness greater than 0.25 inches.

**IMPORTANT!** As mounting this product will require removing part of the mounting surface, it is absolutely necessary to make sure that no other vehicle components could be damaged by this process. Check both sides of the mounting surface before starting. If damage is possible, select a different location.

1. Using the information provided, create an opening in the mounting surface that precisely matches the dimension shown. Thoroughly deburr the edges of the opening before proceeding.
2. Route the lighthead wires through the body grommet. Complete the electrical connections as outlined in the instructions included with your lighthead.
3. Install the body grommet into the opening created in step 1. Make sure the grommet fully engages the entire opening in mounting surface .
4. Install the lighthead into the body grommet so that it is fully seated.

**IMPORTANT!** It is the responsibility of the installer to make sure that the installation and operation of this product will not interfere with or compromise the operation or efficiency of any vehicle equipment.

**IMPORTANT!** Before returning the vehicle to active service, visually confirm the proper operation of this product, as well as all vehicle components/ equipment.