

# WHELEN<sup>®</sup>

ENGINEERING COMPANY INC.

51 Winthrop Road  
 Chester, Connecticut 06412-0684  
 Phone: (860) 526-9504  
 Fax: (860) 526-2009  
 Internet: [www.whelen.com](http://www.whelen.com)  
 Sales/Service e-mail: [aviation@whelen.com](mailto:aviation@whelen.com)

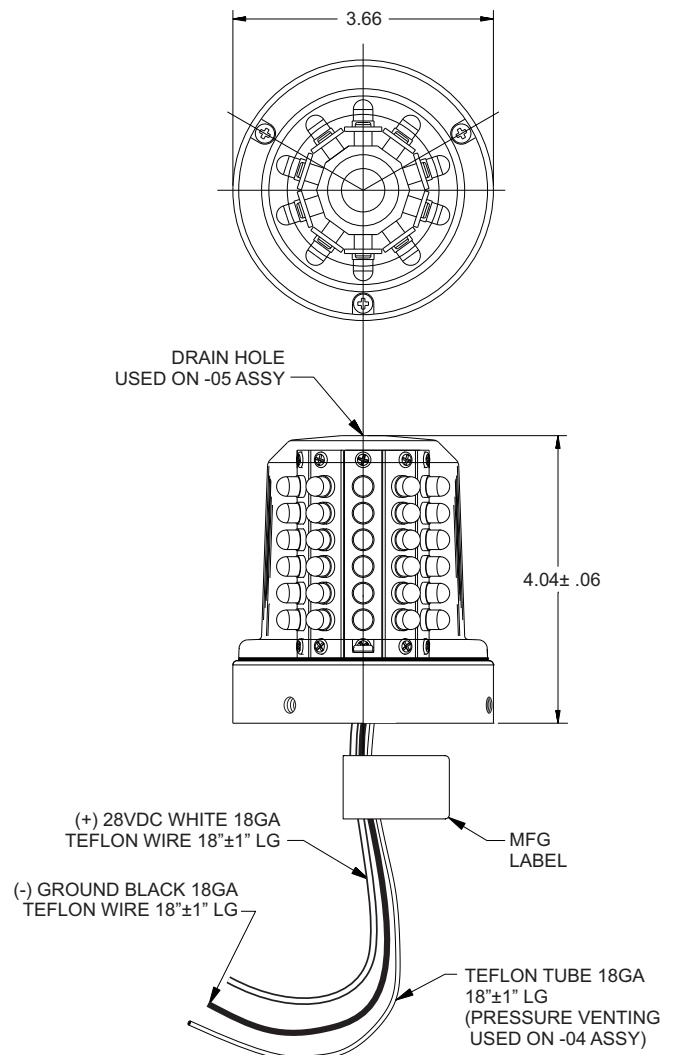
**Installation Guide:**  
**Model 70980( )-series**  
**Model(s) 7098004, 7098005**  
**P/Ns:01-0770980-04**  
**01-0770980-05**  
**Infra-Red LED Flashing Light Assembly**

## OPERATING INSTRUCTIONS:

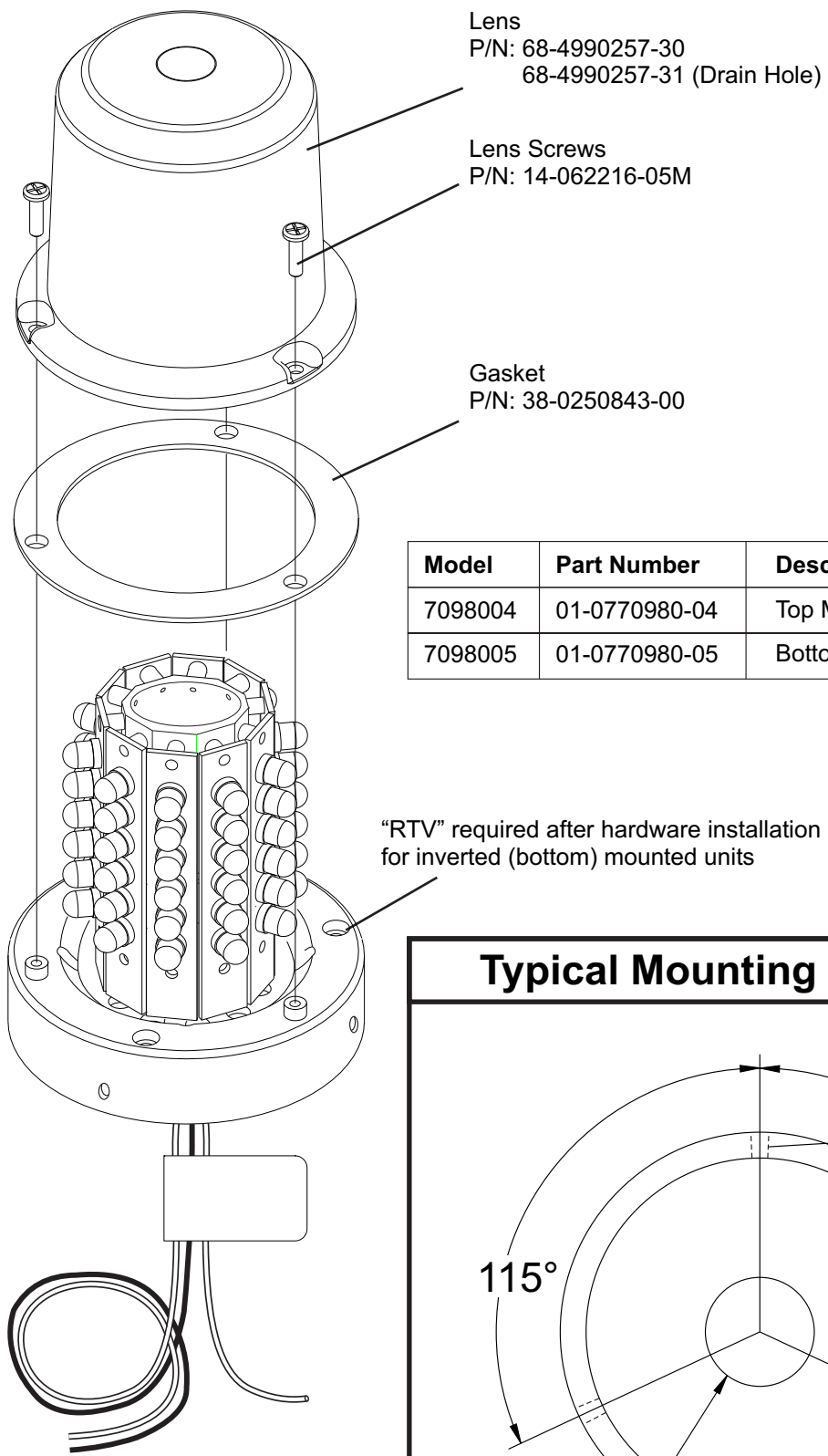
**Operational Voltage:** . . . . .28 VDC (Nominal)  
**Average Input Current:** . . . . .0.1 Amps  
**Peak Input Current:** . . . . .0.63 Amps @ .25 Seconds

**INSTALLATION PROCEDURES:** The following information is to assist in the installation of a Whelen IR LED Light System.

1. The installation procedure described in the following text will be confined to a single light installation, but is identical for multiple light installations.
2. Using the "suggested mounting hole pattern" prepare the aircraft for means to secure the IR LED Flashing Light assembly.
3. Connect the light inputs according to the chart shown. Connect the power lead to an appropriately sized breaker. Connections to be in accordance with FAA approved methods. Insure that the wire leads and the pressure venting tube are all clear of any obstructions and secure as required. The pressure venting tube may be trimmed to minimum length of 1" from base.
4. Check all avionics systems for interference from this installation.
5. A flight check should be performed by a properly certified pilot.
6. All inverted (bottom) mounted units shall require waterproofing of the mounting hardware. An application of single-part silicone (RTV) or equivalent applied over top of the mounting hardware, after installation, is recommended. Reference page 2 for an illustration. Inverted and/or standard mounted units, when necessary, may require waterproofing around any open area where water could get in. Specifically, the lens to the flasher base assembly, and the flasher base assembly to the aircraft.
7. Update aircraft records, complete Form 337 and obtain FAA field approval for installation, if necessary.



Aviation



Model	Part Number	Description
7098004	01-0770980-04	Top Mount
7098005	01-0770980-05	Bottom Mount

