

# WHELEN<sup>®</sup>

## ENGINEERING COMPANY INC.

51 Winthrop Road  
Chester, Connecticut 06412-0684  
Phone: (860) 526-9504  
Fax: (860) 526-4078  
Internet: [www.whelen.com](http://www.whelen.com)  
Sales e-mail: [autosale@whelen.com](mailto:autosale@whelen.com)  
Canadian Sales e-mail: [canadiansales@whelen.com](mailto:canadiansales@whelen.com)  
Customer Service e-mail: [custserv@whelen.com](mailto:custserv@whelen.com)

## Installation Guide: B6LED Series Beacon Models: B6370\*\* & B63M7\*\*

### Warnings to Installers

Whelen's emergency vehicle warning devices must be properly mounted and wired in order to be effective and safe. Read and follow all of Whelen's written instructions when installing or using this device. Emergency vehicles are often operated under high speed stressful conditions which must be accounted for when installing all emergency warning devices. Controls should be placed within convenient reach of the operator so that he can operate the system without taking his eyes off the roadway. Emergency warning devices can require high electrical voltages and/or currents. Properly protect and use caution around live electrical connections. Grounding or shorting of electrical connections can cause high current arcing, which can cause personal injury and/or vehicle damage, including fire. Many electronic devices used in emergency vehicles can create or be affected by electromagnetic interference. Therefore, after installation of any electronic device it is necessary to test all electronic equipment simultaneously to insure that they operate free of interference from other components within the vehicle. Never power emergency warning equipment from the same circuit or share the same grounding circuit with radio communication equipment. All devices should be mounted in accordance with the manufacturer's instructions and securely fastened to vehicle elements of sufficient strength to withstand the forces applied to the device. Driver and/or passenger air bags (SRS) will affect the way equipment should be mounted. This device should be mounted by permanent installation and within the zones specified by the vehicle manufacturer, if any. Any device mounted in the deployment area of an air bag will damage or reduce the effectiveness of the air bag and may damage or dislodge the device. Installer must be sure that this device, its mounting hardware and electrical supply wiring does not interfere with the air bag or the SRS wiring or sensors. Mounting the unit inside the vehicle by a method other than permanent installation is not recommended as unit may become dislodged during swerving; sudden braking or collision. Failure to follow instructions can result in personal injury. Whelen assumes no liability for any loss resulting from the use of this warning device. PROPER INSTALLATION COMBINED WITH OPERATOR TRAINING IN THE PROPER USE OF EMERGENCY WARNING DEVICES IS ESSENTIAL TO INSURE THE SAFETY OF EMERGENCY PERSONNEL AND THE PUBLIC.

### Warnings to Users

Whelen's emergency vehicle warning devices are intended to alert other operators and pedestrians to the presence and operation of emergency vehicles and personnel. However, the use of this or any other Whelen emergency warning device does not guarantee that you will have the right-of-way or that other drivers and pedestrians will properly heed an emergency warning signal. Never assume you have the right-of-way. It is your responsibility to proceed safely before entering an intersection, driving against traffic, responding at a high rate of speed, or walking on or around traffic lanes. Emergency vehicle warning devices should be tested on a daily basis to ensure that they operate properly. When in actual use, the operator must ensure that both visual and audible warnings are not blocked by vehicle components (i.e.: open trunks or compartment doors), people, vehicles, or other obstructions. It is the user's responsibility to understand and obey all laws regarding emergency warning devices. The user should be familiar with all applicable laws and regulations prior to the use of any emergency vehicle warning device. Whelen's audible warning devices are designed to project sound in a forward direction away from the vehicle occupants. However, because sustained periodic exposure to loud sounds can cause hearing loss, all audible warning devices should be installed and operated in accordance with the standards established by the National Fire Protection Association.

### Safety First

This document provides all the necessary information to allow your Whelen product to be properly and safely installed. Before beginning the installation and/or operation of your new product, the installation technician and operator must read this manual completely. Important information is contained herein that could prevent serious injury or damage.

- **Proper installation of this product requires the installer to have a good understanding of automotive electronics, systems and procedures.**
- **Whelen Engineering recommends the use of waterproof butt splices and/or connectors if that connector could be exposed to moisture.**
- **Failure to use specified installation parts and/or hardware will void the product warranty.**
- **If mounting this product requires drilling holes, the installer MUST be sure that no vehicle components or other vital parts could be damaged by the drilling process. Check both sides of the mounting surface before drilling begins. Also de-burr the holes and remove any metal shards or remnants. Install grommets into all wire passage holes.**
- **If this manual states that this product may be mounted with suction cups, magnets, tape or Velcro®, clean the mounting surface with a 50/50 mix of isopropyl alcohol and water and dry thoroughly.**
- **Do not install this product or route any wires in the deployment area of your air bag. Equipment mounted or located in the air bag deployment area will damage or reduce the effectiveness of the air bag, or become a projectile that could cause serious personal injury or death. Refer to your vehicle owner's manual for the air bag deployment area. The User/Installer assumes full responsibility to determine proper mounting location, based on providing ultimate safety to all passengers inside the vehicle.**
- **For this product to operate at optimum efficiency, a good electrical connection to chassis ground must be made. The recommended procedure requires the product ground wire to be connected directly to the NEGATIVE (-) battery post (this does not include products that use cigar power cords).**
- **If this product uses a remote device for activation or control, make sure that this device is located in an area that allows both the vehicle and the device to be operated safely in any driving condition.**
- **Do not attempt to activate or control this device in a hazardous driving situation.**
- **This product contains either strobe light(s), halogen light(s), high-intensity LEDs or a combination of these lights. Do not stare directly into these lights. Momentary blindness and/or eye damage could result.**
- **Use only soap and water to clean the outer lens. Use of other chemicals could result in premature lens cracking (crazing) and discoloration. Lenses in this condition have significantly reduced effectiveness and should be replaced immediately. Inspect and operate this product regularly to confirm its proper operation and mounting condition. Do not use a pressure washer to clean this product.**
- **It is recommended that these instructions be stored in a safe place and referred to when performing maintenance and/or reinstallation of this product.**
- **FAILURE TO FOLLOW THESE SAFETY PRECAUTIONS AND INSTRUCTIONS COULD RESULT IN DAMAGE TO THE PRODUCT OR VEHICLE AND/OR SERIOUS INJURY TO YOU AND YOUR PASSENGERS!**

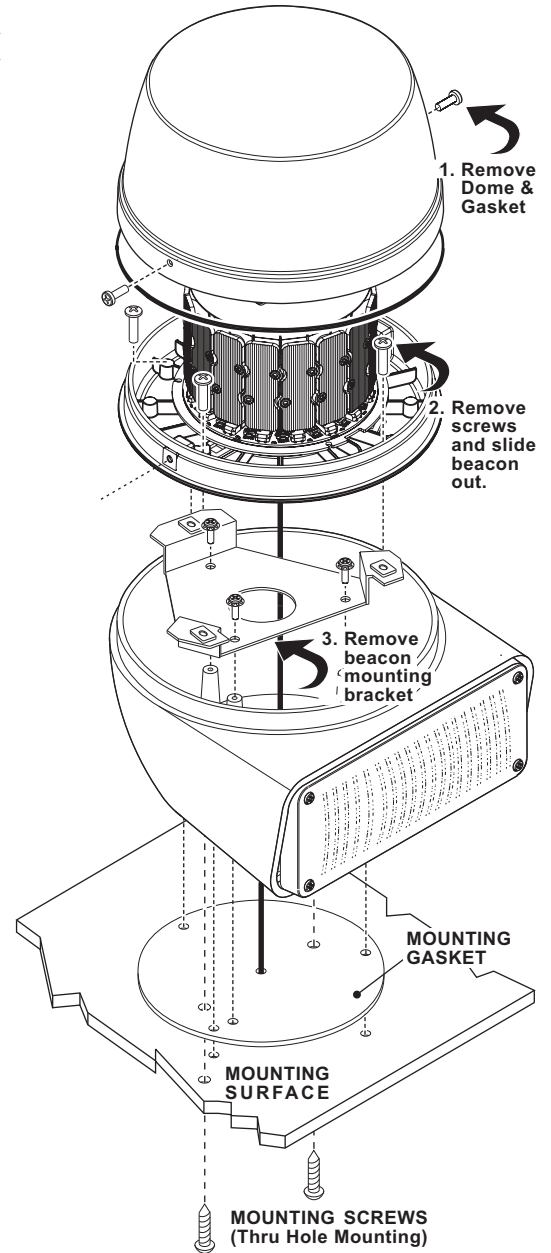
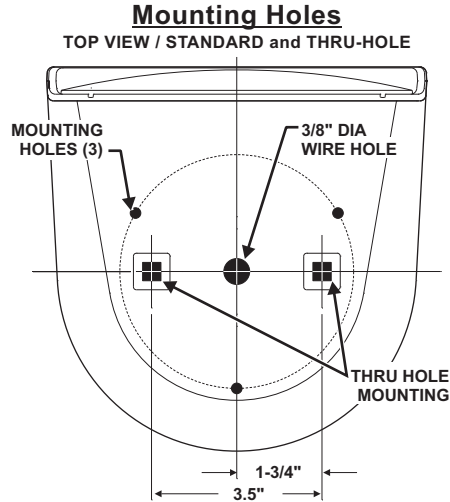
The Model B6LED Beacon combines an R316 ROTA-BEAM™ SUPER-LED® BEACON with either a 700 Series Super-LED® lighthouse or an M7 Super-LED® lighthouse for double warning in one light. It also meets the new standards set by the NFPA. for the rear upper Zone “C” applications.

**Installation:**

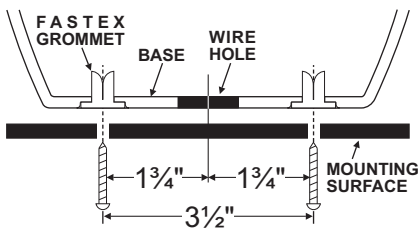
**WARNING!** Since this installation will require drilling, it is absolutely necessary to make sure that no other vehicle components could be damaged by this process. Check both sides of the mounting surface before starting. If damage is likely, select a different mounting location.

**STANDARD MOUNTING:**

1. Dismantle the unit by first removing the 2 sheet metal screws which hold the lens onto the beacons base and remove the dome and gasket.
2. Remove the three screws that hold the beacon to the beacon bracket and separate the beacon from it's mounting bracket.
3. Remove the screws that hold the beacon bracket to the base and slide the bracket up and out so you can access the mounting holes on the bottom of the base.
4. Position the base housing onto the vehicle so that the lower light device is facing directly rearward, locate the three mounting holes drilled into the base housing (See diagram) and mark them off on the mounting surface of the vehicle.
5. Remove the unit and position the base gasket onto the vehicle. Line the gasket up with the marks you made for the mounting screws and mark off the center wire access hole using the gasket as a template.
6. Drill the base mounting holes for the three #10 sheet metal screws and drill the center wire access hole to 3/8 inch (Grommet wire hole as needed / Customer supplied).
7. Feed the wires out of the unit, through the mounting gasket and through the access hole and connect them to your power source. (See wiring)
8. Attach the base to the vehicle with the 3 sheet metal screws supplied, then reassemble and test the unit.



**Thru Hole Mounting**  
FRONT VIEW / CROSS SECTION



**THRU HOLE MOUNTING (Optional):** To install the unit using “Thru Hole Mounting”, on the mounting surface, drill two holes sized for a 1/4” sheet metal screw the distances shown in the diagram. Be sure the unit is facing the desired direction that it will face once installed. Insert the customer supplied screws up through the bottom of the base and tighten to secure.

**WARNING: All customer supplied wires that connect to the positive terminal of the battery must be sized to supply at least 125% of the maximum operating current and FUSED at the battery to carry that load. DO NOT USE CIRCUIT BREAKERS WITH THIS PRODUCT!**

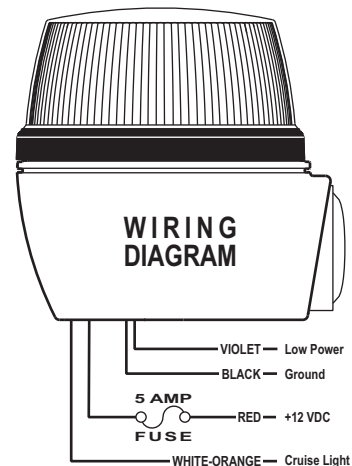
**Operation:**

**WHITE/ORANGE - Cruise Light:**

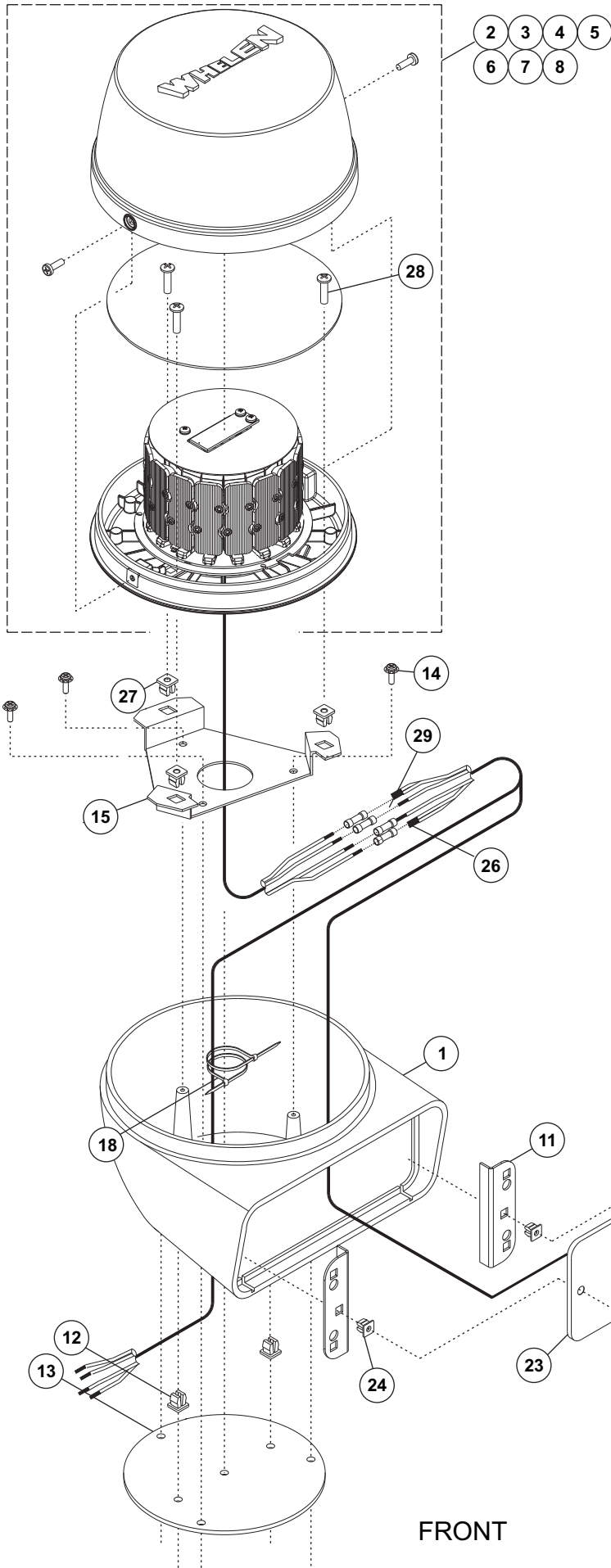
Apply +12 VDC to the WHITE-ORANGE wire to put the beacon into cruise light mode. Remove the voltage from the WHITE-ORANGE wire to restore normal operation.

**VIOLET - Hi/Low Intensity:**

Apply +12 VDC to the VIOLET wire to put both the beacon and lighthouse into low power. Remove the voltage from the VIOLET wire to restore normal high power operation.



**IMPORTANT WARNING!**  
**CAUTION! DO NOT LOOK DIRECTLY AT THESE LED'S WHILE THEY ARE ON. MOMENTARY BLINDNESS AND/OR EYE DAMAGE COULD RESULT!**



QTY	ITEM	PART NUMBER	DESCRIPTION
*		01-0687537-__	B6M7 SERIES Super-LED® L360/M7 LED
1	1	11-483144-011	HOUSING / BASE MODEL B6R - POLISHED
A/R	2	01-0687399111	ASSY, R316 BEACON AMBER/CLEAR FLAT MOUNT
A/R	3	01-0687399122	R316 BEACON BLUE/CLEAR FLAT MOUNT
A/R	4	01-0687399133	R316 BEACON WHITE/CLEAR FLAT MOUNT
A/R	5	01-0687399155	R316 BEACON RED/CLEAR FLAT MOUNT
A/R	6	01-0687399A11	R316 BEACON AMBER/AMBER FLAT MOUNT
A/R	7	01-0687399A22	R316 BEACON BLU/BLU FLAT MOUNT
A/R	8	01-0687399A55	R316 BEACON RED/RED FLAT MOUNT
2	9	15-081416-160	SCREW, #8 X 1" PPHSMS
1	10	38-0143750-00	GASKET, DIE CUT PSA M7
2	11	07-242837-000	BRACKET, MOUNTING LED B6R
REF	12	21-12081205-3	SCREW GROMMET FASTEX
REF	13	38-0242422-00	GASKET, MOUNTING B6R SERIES
3	14	14-062216-061	SCREW, #6-32 X 3/8" PPHMS SEMS
1	15	07-263938-000	BRACKET, MOUNTING B6MM MECHANISM 360° LED
1	16	01-0482951-00	KIT, PACKING B6R SERIES
1	17	10-0522496-07	LABEL, MODEL B63M7 SERIES
2	18	26-0215001-06	TY-WRAP, 6" BLACK
A/R	19	02-036A796-A0	SUB ASSY, M7 SYNC AMB/AMB
A/R	20	02-036A796-B0	SUB ASSY, M7 SYNC BLU/BLU
A/R	21	02-036A796-30	SUB ASSY, M7 SYNC WHT/CLR
A/R	22	02-036A796-R0	SUB ASSY, M7 SYNC RED/RED
1	23	07-743879-000	M7 TO B6R/B6T ADAPTOR PLATE
2	24	13-062C40-16J	SCREW GROMMET, #6/8
2	25	21-0200237080	BUSHING, M-SERIES LTHD MOUNT
3	26	25-1510222-00	BUTT TERMINAL, STEP-DOWN 16-14 TO 22-18 AWG
3	27	21-17060704-3	SCREW GROMMET FASTEX
3	28	15-101416-120	SCREW, #10 X 3/4" PPHSMS SS
1	29	25-0510223-05	BUTT TERMINAL, 22-16 INLINE
1	30	67-1011877150	WIRE, 18 GA 15" VIOLET STRIP/STRIP
1	31	67-1011800150	WIRE, 18 GA 15" BLACK STRIP/STRIP
1	32	67-1011822150	WIRE, 18 GA 15" RED STRIP/STRIP
1	33	67-1011893150	WIRE, 18 GA 15" WHT/ORG STRIP/STRIP
A/R	34	02-036A796-10	SUB ASSY, M7 SYNC AMB/CLR
A/R	35	02-036A796-20	SUB ASSY, M7 SYNC BLU/CLR
A/R	36	02-036A796-50	SUB ASSY, M7 SYNC RED/CLR

**PART NUMBER KEY:**

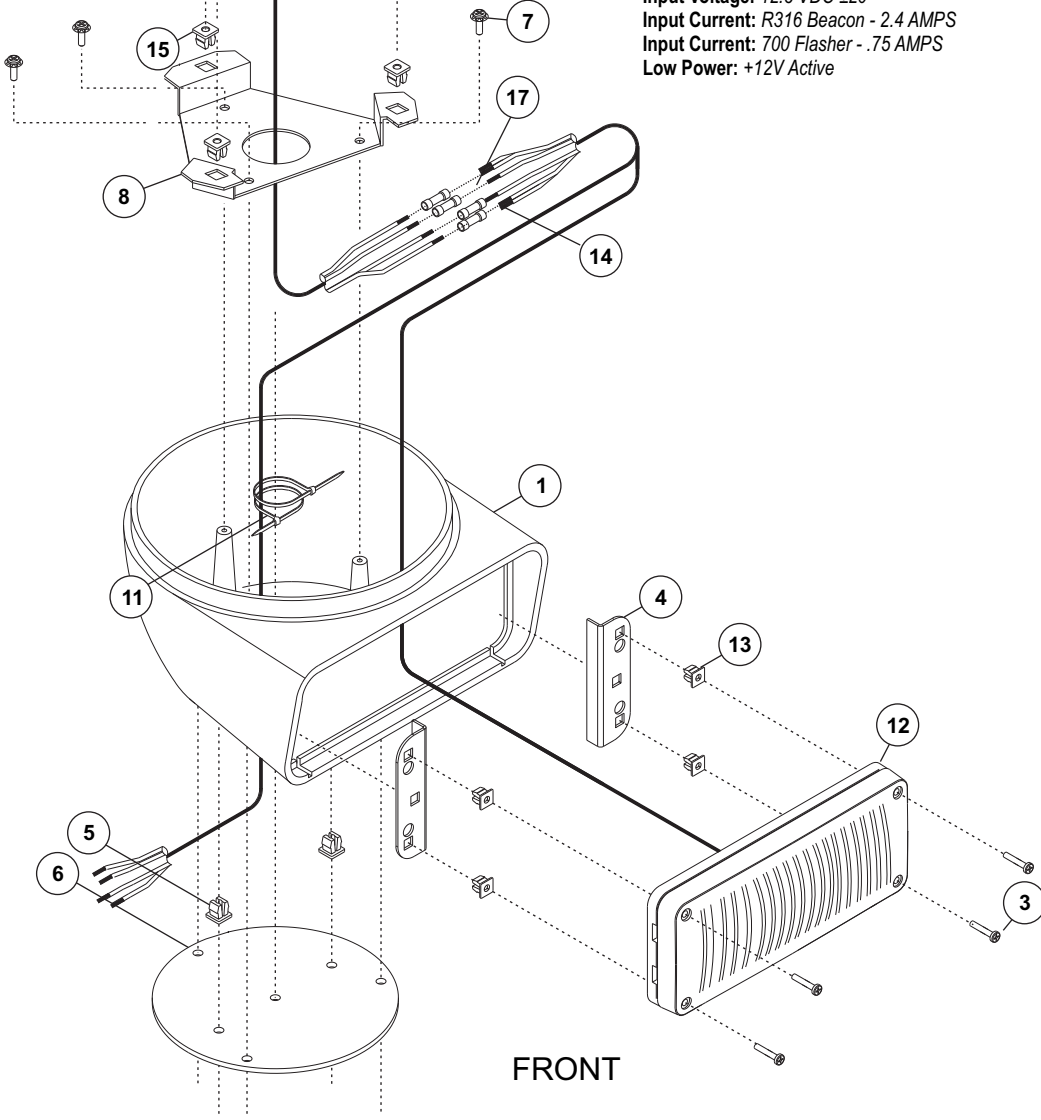
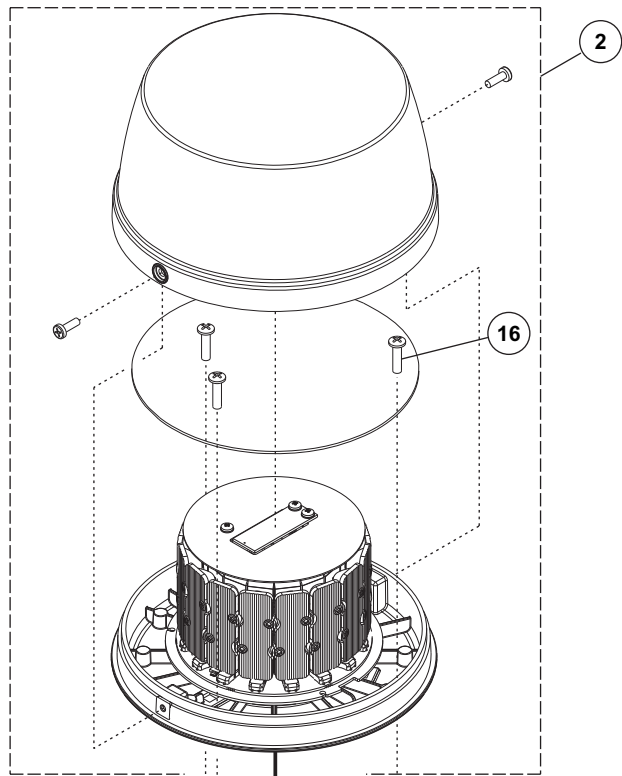
0 1 - 0 6 8 7 5 3 7 -  
 UPPER LED / LENS COLOR  
 LOWER LED / LENS COLOR

**UPPER LED / LENS COLOR    LOWER LED / LENS COLOR**

A = AMBER / AMBER    A = AMBER / AMBER  
 B = BLUE / BLUE    B = BLUE / BLUE  
 R = RED / RED    R = RED / RED  
 1 = AMBER / CLEAR    1 = AMBER / CLEAR  
 2 = BLUE / CLEAR    2 = BLUE / CLEAR  
 3 = WHITE / CLEAR    3 = WHITE / CLEAR  
 5 = RED / CLEAR    5 = RED / CLEAR

**Specifications**

**Input Voltage:** 12.8 VDC ±20  
**Input Current:** R316 Beacon - 2.4 AMPS  
**Input Current:** M7 Lighthouse - .75 AMPS  
**Low Power:** +12V Active



QTY	ITEM	PART NUMBER	DESCRIPTION
*		01-0687723-__	B6370 SERIES Super-LED R316/700 LED
1	1	11-483144-011	HOUSING / BASE MODEL B6R - POLISHED
1	2	01-0687399-__	R316 BEACON FLAT MOUNT
4	3	15-061416-240	SCREW, #6 X 1 1/2" PPHSMS
2	4	07-242837-000	BRACKET, MOUNTING LED B6R
REF	5	21-12081205-3	SCREW GROMMET FASTEX
REF	6	38-0242422-00	GASKET, MOUNTING B6R SERIES
3	7	14-062216-061	SCREW, #6-32 X 3/8" PPHSMS SEMS
1	8	07-263938-000	BRACKET, MOUNTING B6MM MECHANISM 360° LED
1	9	01-0482951-00	KIT, PACKING B6R SERIES
1	10	10-0522496-08	LABEL, MODEL B6370 SERIES
2	11	26-0215001-06	TY-WRAP, 6" BLACK
1	12	01-02864194*0	SUB ASSY, 700 LINEAR TIR 4-WIRE
4	13	13-062C40-16J	SCREW GROMMET, #6/8
3	14	25-1510222-00	BUTT TERMINAL, STEP-DOWN 16-14 TO 22-18 AWG
3	15	21-17060704-3	SCREW GROMMET FASTEX
3	16	15-101416-120	SCREW, #10 X 3/4" PPHSMS SS
1	17	25-0510223-05	BUTT TERMINAL, 22-16 INLINE
1	18	67-1011877150	WIRE, 18 GA 15" VIOLET STRIP/STRIP
1	19	67-1011800150	WIRE, 18 GA 15" BLACK STRIP/STRIP
1	20	67-1011822150	WIRE, 18 GA 15" RED STRIP/STRIP
1	21	67-1011893150	WIRE, 18 GA 15" WHT/ORG STRIP/STRIP

**PART NUMBER KEY:**

0 1 - 0 6 8 7 7 2 3 -  
 UPPER LED / LENS COLOR  
 LOWER LED / LENS COLOR

UPPER LED / LENS COLOR	LOWER LED / LENS COLOR
A = AMBER / AMBER	A = AMBER / AMBER
B = BLUE / BLUE	B = BLUE / BLUE
R = RED / RED	R = RED / RED
1 = AMBER / CLEAR	1 = AMBER / CLEAR
2 = BLUE / CLEAR	2 = BLUE / CLEAR
3 = WHITE / CLEAR	3 = WHITE / CLEAR
5 = RED / CLEAR	5 = RED / CLEAR

**Specifications**

Input Voltage: 12.8 VDC ±20  
 Input Current: R316 Beacon - 2.4 AMPS  
 Input Current: 700 Flasher - .75 AMPS  
 Low Power: +12V Active