

WHELEN[®]

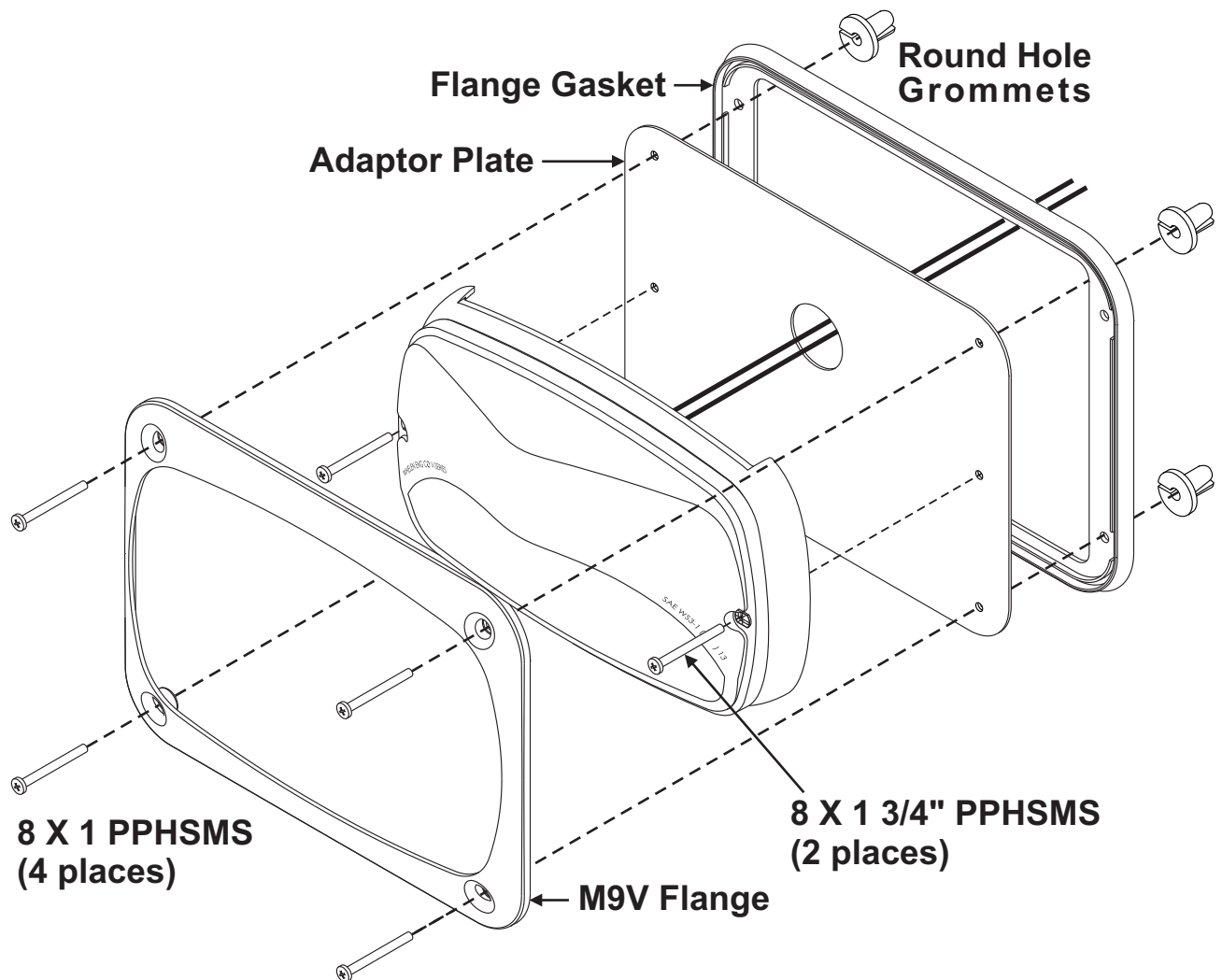
ENGINEERING COMPANY INC.

51 Winthrop Road
Chester, Connecticut 06412-0684
Phone: (860) 526-9504
Fax: (860) 526-4078
Internet: www.whelen.com
Sales e-mail: autosale@whelen.com
Canadian Sales e-mail: canadiansales@whelen.com
Customer Service e-mail: custserv@whelen.com

Installation Guide: 900 Series to M9V Series Lighthouse Adaptor Flange

Installation:

1. Remove the existing 900 series lighthouse and gasket from the mounting surface.
2. Route the M9V lighthouse wires through the wire passage hole. Using the hardware provided, secure the M9V lighthouse to the adaptor plate.
3. Install the four, round hole screw grommets into the existing mounting holes.
4. Position the adaptor plate/lighthouse assembly onto the flange gasket. Make sure that this assembly is positioned so that the gasket fits properly.
5. Place this assembly into position on the mounting surface. Now mount the M9V flange onto the flange gasket and secure the complete assembly to the mounting surface using the hardware shown.
6. Extend the lighthouse wires to your power source and connect as shown in the lighthouse manual.



Automotive: Lighthouses