

WHELEN[®]

ENGINEERING COMPANY INC.

51 Winthrop Road
 Chester, Connecticut 06412-0684
 Phone: (860) 526-9504
 Fax: (860) 526-2009
 Internet: www.whelen.com
 Sales/Service e-mail: aviation@whelen.com

Installation Guide:
Model 7190600
P/N: 01-0771906-00
LED Recognition Light Assembly

SPECIFICATIONS:

Nominal Operational Voltage: 28 VDC
 (Operational from 22 - 32 VDC)
 Nominal Input Current: 450 mAmps

CONTINUED AIRWORTHINESS:

The recognition light is designed with 6 white LEDs. If one or more LEDs fails, the unit may be replaced at the discretion of the operator.

Note: To reduce eye strain, use an optical filter such as dark glasses or a blue covering dome during LED inspection.

Inspect the lens. If there is excessive scratching, pitting, discoloration or cracking the lens may be replaced at the discretion of the operator.

CLEANING:

Use only products compatible with polycarbonate to clean the outer lens. Follow the manufacturer's instructions. Use of other chemicals could result in premature lens cracking (crazing) and discoloration. Do not use a pressure washer to clean this product.

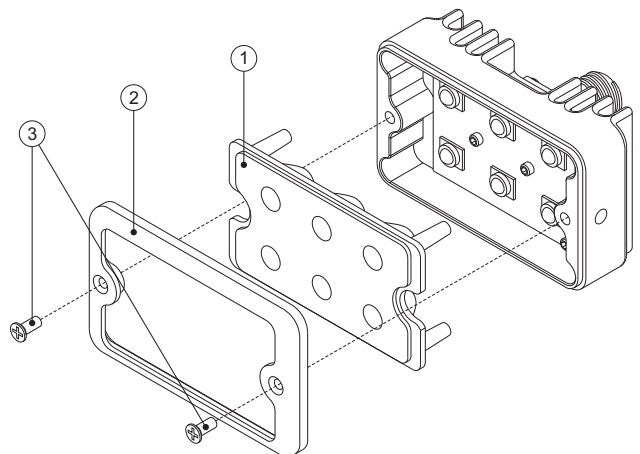
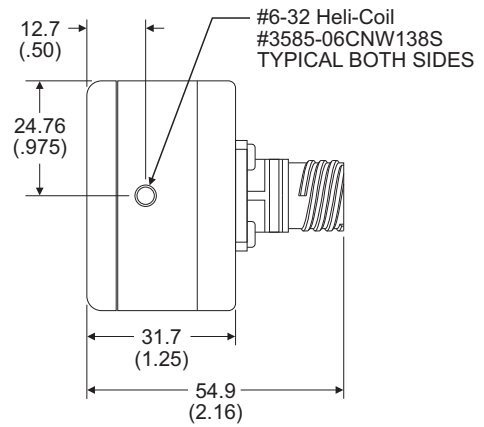
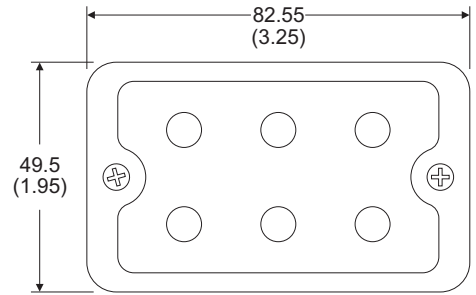
INSTALLATION PROCEDURES:

The following information provides guidelines for the installation of the Whelen LED recognition light. Please refer to the OEM manual for your aircraft for specific removal and installation instructions.

1. Using the mounting detail information provided, prepare the aircraft for means to secure the light assembly.
2. Connect the light inputs according to the chart shown. Connect the power lead to an appropriately sized breaker. Connections to be in accordance with FAA approved methods.
3. Using the appropriate hardware, install the light to the aircraft. Insure that all leads are clear of any obstructions and secured as required.
4. Place the light switch in the ON position and verify proper operation of the Whelen Light.

Connector Wiring

D38999 / 20FA98PN
 POS A: 28V
 POS B: GROUND
 POS C: N/C



PARTS LIST

- 1 Lens P/N 68-5971136-00
- 2 Bezel P/N 11-471138-100
- 3 Screws 4-40 X 3/8 P100FH/CSNK MS24693-C4