

# WHELEN<sup>®</sup>

ENGINEERING COMPANY INC.

51 Winthrop Road  
 Chester, Connecticut 06412-0684  
 Phone: (860) 526-9504  
 Fax: (860) 526-2009  
 Internet: [www.whelen.com](http://www.whelen.com)  
 Sales/Service e-mail: [aviation@whelen.com](mailto:aviation@whelen.com)

## Installation Guide: Model 7191000 P/N: 01-0771910-00 LED Map/Inspection Light Assembly

### SPECIFICATIONS:

Nominal Operational Voltage: ..... 6 VDC  
 Nominal Input Current: ..... 75 mAmps

### CONTINUED AIRWORTHINESS:

The map/inspection light is designed with 2 white LEDs. If one or more LEDs fails, the unit may be replaced at the discretion to the operator.

**Note:** To reduce eye strain, use an optical filter such as dark glasses or a blue covering dome during LED inspection.

Inspect the lens. If there is excessive scratching, pitting, discoloration or cracking, the unit may be replaced at the discretion of the operator.

### INSTALLATION PROCEDURES:

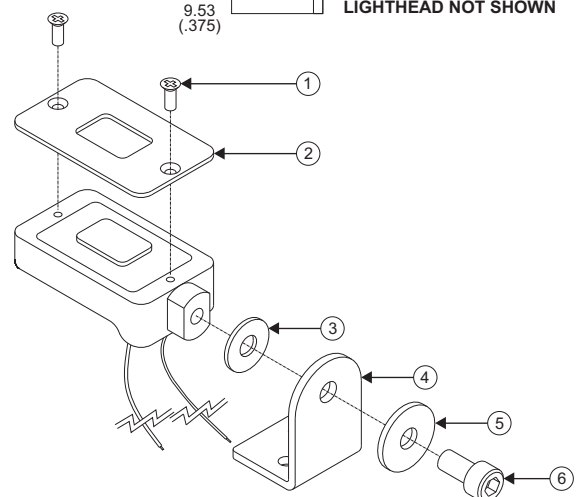
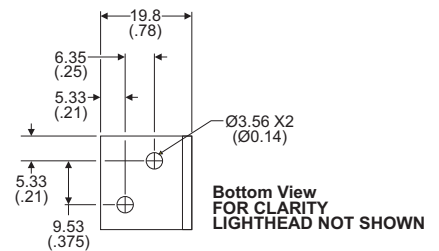
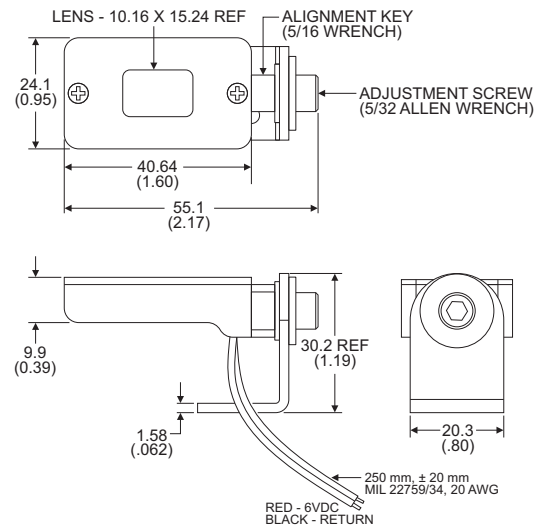
The following information provides guidelines for the installation of the Whelen LED Map/Inspection light. Please refer to the OEM manual for your aircraft for specific removal and installation instructions.

1. Using the mounting detail information provided, prepare the aircraft for means to secure the light assembly.
2. Connect the light input leads. Connect the power lead to an appropriately sized breaker. Connections to be in accordance with FAA approved methods.
3. Using the appropriate hardware, install the light to the aircraft. Insure that all leads are clear of any obstructions and secured as required.
4. Place the light switch in the ON position and verify proper operation of the Whelen Light.

### PARTS LIST

- |   |  |
|---|--|
| 1 | Screw 2-56 X 1/4 P82FHMS SS                      |
| 2 | Retainer P/N 19-150994-001                       |
| 3 | Washer, #10 Flat .200" ID, .437" OD, .035" Thick |
| 4 | Bracket P/N 07-231209-001                        |
| 5 | Washer, #10 Flat .631 X .060 THK/SS              |
| 6 | Screw 10-24 X 3/8 SKTHEAD CAP SS                 |

### Dimensions: mm (inches)



Aviation