

WHELEN[®]

ENGINEERING COMPANY INC.

51 Winthrop Road
Chester, Connecticut 06412-0684
Phone: (860) 526-9504
Fax: (860) 526-4078
Internet: www.whelen.com
Sales e-mail: autosale@whelen.com
Canadian Sales e-mail: canadiansales@whelen.com
Customer Service e-mail: custserv@whelen.com

Installation Guide:
Freedom[®] IV Mini Lightbar
(With GTT Emitter)

Warnings to Installers

Whelen's emergency vehicle warning devices must be properly mounted and wired in order to be effective and safe. Read and follow all of Whelen's written instructions when installing or using this device. Emergency vehicles are often operated under high speed stressful conditions which must be accounted for when installing all emergency warning devices. Controls should be placed within convenient reach of the operator so that they can operate the system without taking their eyes off the roadway. Emergency warning devices can require high electrical voltages and/or currents. Properly protect and use caution around live electrical connections. Grounding or shorting of electrical connections can cause high current arcing, which can cause personal injury and/or vehicle damage, including fire. Many electronic devices used in emergency vehicles can create or be affected by electromagnetic interference. Therefore, after installation of any electronic device it is necessary to test all electronic equipment simultaneously to insure that they operate free of interference from other components within the vehicle. Never power emergency warning equipment from the same circuit or share the same grounding circuit with radio communication equipment. All devices should be mounted in accordance with the manufacturer's instructions and securely fastened to vehicle elements of sufficient strength to withstand the forces applied to the device. Driver and/or passenger air bags (SRS) will affect the way equipment should be mounted. This device should be mounted by permanent installation and within the zones specified by the vehicle manufacturer, if any. Any device mounted in the deployment area of an air bag will damage or reduce the effectiveness of the air bag and may damage or dislodge the device. Installer must be sure that this device, its mounting hardware and electrical supply wiring does not interfere with the air bag or the SRS wiring or sensors. Mounting the unit inside the vehicle by a method other than permanent installation is not recommended as unit may become dislodged during swerving; sudden braking or collision. Failure to follow instructions can result in personal injury. Whelen assumes no liability for any loss resulting from the use of this warning device. **PROPER INSTALLATION COMBINED WITH OPERATOR TRAINING IN THE PROPER USE OF EMERGENCY WARNING DEVICES IS ESSENTIAL TO INSURE THE SAFETY OF EMERGENCY PERSONNEL AND THE PUBLIC.**

Warnings to Users

Whelen's emergency vehicle warning devices are intended to alert other operators and pedestrians to the presence and operation of emergency vehicles and personnel. However, the use of this or any other Whelen emergency warning device does not guarantee that you will have the right-of-way or that other drivers and pedestrians will properly heed an emergency warning signal. Never assume you have the right-of-way. It is your responsibility to proceed safely before entering an intersection, driving against traffic, responding at a high rate of speed, or walking on or around traffic lanes. Emergency vehicle warning devices should be tested on a daily basis to ensure that they operate properly. When in actual use, the operator must ensure that both visual and audible warnings are not blocked by vehicle components (i.e.: open trunks or compartment doors), people, vehicles, or other obstructions. It is the user's responsibility to understand and obey all laws regarding emergency warning devices. The user should be familiar with all applicable laws and regulations prior to the use of any emergency vehicle warning device. Whelen's audible warning devices are designed to project sound in a forward direction away from the vehicle occupants. However, because sustained periodic exposure to loud sounds can cause hearing loss, all audible warning devices should be installed and operated in accordance with the standards established by the National Fire Protection Association.

Safety First

This document provides all the necessary information to allow your Whelen product to be properly and safely installed. Before beginning the installation and/or operation of your new product, the installation technician and operator must read this manual completely. Important information is contained herein that could prevent serious injury or damage.

- **Proper installation of this product requires the installer to have a good understanding of automotive electronics, systems and procedures.**
- **Whelen Engineering requires the use of waterproof butt splices and/or connectors if that connector could be exposed to moisture.**
- **Failure to use specified installation parts and/or hardware will void the product warranty.**
- **If mounting this product requires drilling holes, the installer MUST be sure that no vehicle components or other vital parts could be damaged by the drilling process. Check both sides of the mounting surface before drilling begins. Also de-burr the holes and remove any metal shards or remnants. Install grommets into all wire passage holes.**
- **If this manual states that this product may be mounted with suction cups, magnets, tape or Velcro[®], clean the mounting surface with a 50/50 mix of isopropyl alcohol and water and dry thoroughly.**
- **Do not install this product or route any wires in the deployment area of your air bag. Equipment mounted or located in the air bag deployment area will damage or reduce the effectiveness of the air bag, or become a projectile that could cause serious personal injury or death. Refer to your vehicle owner's manual for the air bag deployment area. The User/Installer assumes full responsibility to determine proper mounting location, based on providing ultimate safety to all passengers inside the vehicle.**
- **For this product to operate at optimum efficiency, a good electrical connection to chassis ground must be made. The recommended procedure requires the product ground wire to be connected directly to the NEGATIVE (-) battery post (this does not include products that use cigar power cords).**
- **If this product uses a remote device for activation or control, make sure that this device is located in an area that allows both the vehicle and the device to be operated safely in any driving condition.**
- **Do not attempt to activate or control this device in a hazardous driving situation.**
- **This product contains either strobe light(s), halogen light(s), high-intensity LEDs or a combination of these lights. Do not stare directly into these lights. Momentary blindness and/or eye damage could result.**
- **Use only soap and water to clean the outer lens. Use of other chemicals could result in premature lens cracking (crazing) and discoloration. Lenses in this condition have significantly reduced effectiveness and should be replaced immediately. Inspect and operate this product regularly to confirm its proper operation and mounting condition. Do not use a pressure washer to clean this product.**
- **It is recommended that these instructions be stored in a safe place and referred to when performing maintenance and/or reinstallation of this product.**
- **FAILURE TO FOLLOW THESE SAFETY PRECAUTIONS AND INSTRUCTIONS COULD RESULT IN DAMAGE TO THE PRODUCT OR VEHICLE AND/OR SERIOUS INJURY TO YOU AND YOUR PASSENGERS!**

Permanent Mounting:

1. Locate the mounting foot and locking plate included with your lightbar. If not already present, install the locking plate onto the mounting foot using the supplied allen set screws (Fig. 1).
2. Flip the lightbar upside-down to expose the bottom of the extrusion. Place the mounting foot into the extrusion and rotate the foot so that the top of the foot swings into position under the lips in the extrusion (Figs. 2, 3 & 4).
3. Repeat procedure for the other mounting foot and return the lightbar to its right side-up position.
4. Position the lightbar onto the vehicle roof in the desired mounting location. One often selected location is directly above the B-pillars. This area is the strongest part of the roof. Check the light bar cable exit location to be sure that the lightbar is facing the proper direction (Cable exits in rear).
5. Adjust the mounting feet outwards so that they are as close to the edge of the roof as possible (See below). When the mounting feet are properly positioned, lightly tighten the allen head set screws.
6. Turn the lightbar upside down and firmly tighten all of the mounting foot allen head set screws (Fig.4). **IMPORTANT: The allen head set screws must be tightened to 14-16 In. Lbs.** With the lightbar upside down, drill 2 holes into the mounting foot (for the mounting bolts) using the holes in the mounting pads as guides (Fig. 1).
7. Lower the vehicle headliner (if present). Place the lightbar in its final mounting position on the vehicle, mark the mounting hole locations onto the mounting surface, remove the lightbar and drill the mounting holes.
8. Place the lightbar back onto the vehicle lined up with the mounting holes and secure the mounting feet to the vehicle using the supplied hardware.

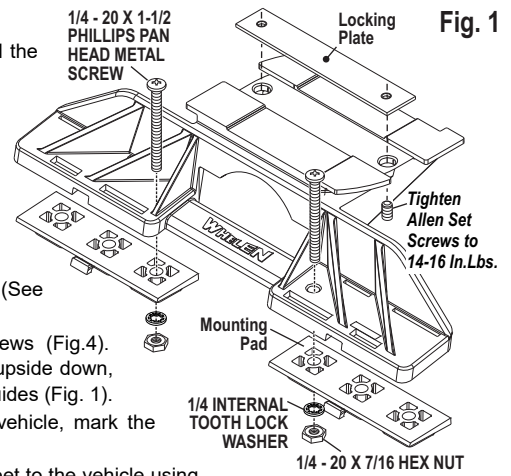


Fig. 1

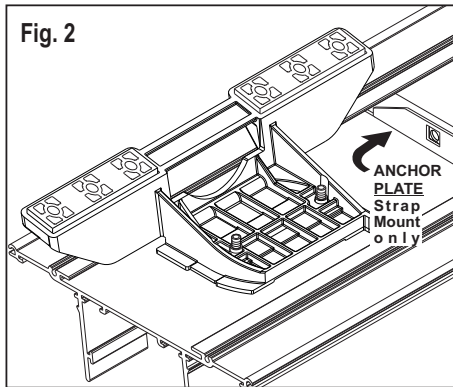


Fig. 2

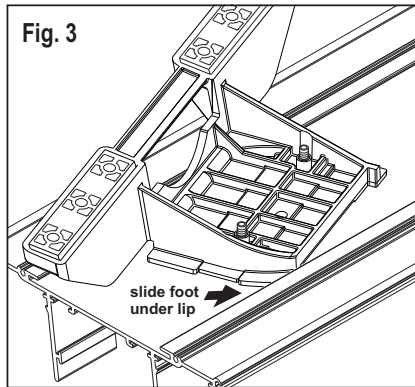


Fig. 3

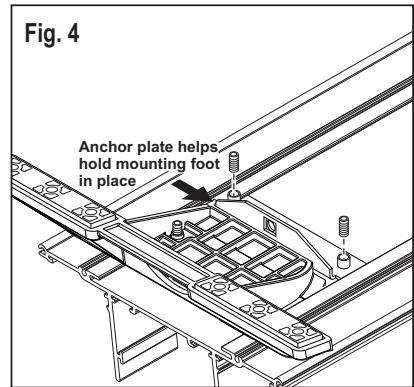
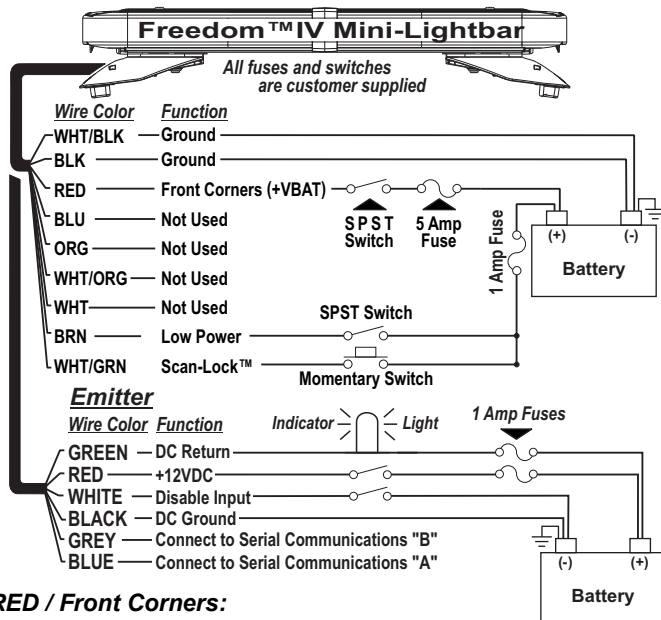


Fig. 4

Wiring and Operation:

The control cable connects to your control head or switch box and is fused there. Applying +12VDC to a control wire activates its function. BLK and WHT/BLK are ground wires. WHT/ORG, ORG & BLU are not used and should be taped off.



WHITE-GREEN / Scan-Lock™:

The WHT/GRN wire allows you to choose from available flash patterns. You must activate the function to select a pattern:

TO CYCLE THROUGH ALL PATTERNS:

To cycle forward apply +12 VDC to the WHT/GRN wire for less than 1 second and release.

To cycle backward apply +12 VDC to the WHT/GRN wire for more than 1 second and release.

TO SET A PATTERN AS DEFAULT:

When the pattern is displayed, allow it to run for more than 5 seconds.

The lightbar will now display this pattern when activated.

TO RESET TO THE FACTORY DEFAULT PATTERN:

With power off, apply +12 VDC to WHT/GRN wire while turning power on.

Use a normally open momentary switch for Scan-Lock operation.

FLASH PATTERNS:

- | | | |
|------------------------------|-------------------------------|-------------------------------|
| 1. SignalAlert™ L/R SYNC | 24. LongBurst™ SIM | 48. SingleFlash 120 STDY RT |
| 2. SignalAlert™ L/R ASYNC | 25. LongBurst™ ALT/SIM | 49. SingleFlash 120 STDY BOTH |
| 3. SignalAlert™ IN/OUT | 26. SingleFlash 60 L/R SYNC | 50. SingleFlash 240 L/R SYNC |
| 4. SignalAlert™ SIM | 27. SingleFlash 60 L/R ASYNC | 51. SingleFlash 240 L/R ASYNC |
| 5. SignalAlert™ ALT/SIM | 28. SingleFlash 60 IN/OUT | 52. SingleFlash 240 IN/OUT |
| 6. CometFlash® L/R SYNC | 29. SingleFlash 60 SIM | 53. SingleFlash 240 SIM |
| 7. CometFlash® L/R ASYNC | 30. SingleFlash 60 ALT/SIM | 54. SingleFlash 240 ALT/SIM |
| 8. CometFlash® IN/OUT | 31. SingleFlash 60 STDY LEFT | 55. ActionFlash™ L/R SYNC |
| 9. CometFlash® SIM | 32. SingleFlash 60 STDY RT | 56. ActionFlash™ L/R ASYNC |
| 10. CometFlash® ALT/SIM | 33. SingleFlash 60 STDY BOTH | 57. ActionFlash™ IN/OUT |
| 11. DoubleFlash 75 L/R SYNC | 34. SingleFlash 90 L/R SYNC | 58. ActionFlash™ SIM |
| 12. DoubleFlash 75 L/R ASYNC | 35. SingleFlash 90 L/R ASYNC | 59. PingPong™ L/R SYNC |
| 13. DoubleFlash 75 IN/OUT | 36. SingleFlash 90 IN/OUT | 60. PingPong™ L/R ASYNC |
| 14. DoubleFlash 75 SIM | 37. SingleFlash 90 SIM | 61. PingPong™ IN/OUT |
| 15. DoubleFlash 75 ALT/SIM | 38. SingleFlash 90 ALT/SIM | 62. PingPong™ SIM |
| 16. SingleFlash 75 L/R SYNC | 39. SingleFlash 90 STDY LEFT | 63. ModuFlash™ L/R SYNC |
| 17. SingleFlash 75 L/R ASYNC | 40. SingleFlash 90 STDY RT | 64. ModuFlash™ L/R ASYNC |
| 18. SingleFlash 75 IN / OUT | 41. SingleFlash 90 STDY BOTH | 65. ModuFlash™ IN/OUT |
| 19. SingleFlash 75 SIM | 42. SingleFlash 120 L/R SYNC | 66. ModuFlash™ SIM |
| 20. SingleFlash 75 ALT/SIM | 43. SingleFlash 120 L/R ASYNC | 67. ActionScan™ |
| 21. LongBurst™ L/R SYNC | 44. SingleFlash 120 IN/OUT | |
| 22. LongBurst™ L/R ASYNC | 45. SingleFlash 120 SIM | |
| 23. LongBurst™ IN/OUT | 46. SingleFlash 120 ALT/SIM | |
| | 47. SingleFlash 120 STDY LEFT | |

RED / Front Corners:

Apply +12VDC to the RED wire to activate the Front Corner lights.

BROWN / Low Power:

The switch type used depends on how you wish Low Power to function:

Latching Mode: Apply +12 VDC to the BROWN wire for less than 1 sec. to "latch" the lightbar into Low Power. The unit must be turned off and then back on to restore normal operation. (Momentary Switch)

Level Mode: Apply +12 VDC to the BROWN wire for over 1 sec. to hold the lightbar in Low Power until voltage is removed. (Toggle Switch)

L/R SYNC = LEFT / RIGHT SYNCHRONOUS
L/R ASYNC = LEFT / RIGHT ASYNCHRONOUS
SIM = SIMULTANEOUS
IN/OUT = IN / OUT

STDY LEFT = STEADY LEFT
STDY RT = STEADY RIGHT
STDY BOTH = STEADY BOTH
ALT/SIM = ALTERNATING SIMULTANEOUS

QTY	ITEM	PART NUMBER	DESCRIPTION
*		01-0688073-00	FREEDOM IV, MINI
1	1	11-388044-018	BASE, EXTRUDED 18.425" MACHINED 23" FREEDOM IV
1	2	21-11245004-1	GROMMET, SPECIAL TO BE MOLDED 1.562"
1	3	14-0023347-01	SCREW, 10-24 X .875" TX PHD SWEDGE FORM 1/4" LEAD 5/8" THD
3	4	21-11263204-0	GROMMET, 1" SLIM LINE
1	5	07-26D863-000	BRACKET, BULKHEAD LENS MOUNT LEGACY LIGHTBAR
1	6	07-26D865-000	BRACKET, I/O ANCHOR LEGACY LIGHTBAR
1	7	02-016H001-00	I/O BOARD MINI SOLO ENHANCED
8	8	07-26F288-000	BRACKET, LENS MOUNT FREEDOM IV
1	9	46-0743403-00	ASS'Y, CABLE 9/C 18 GA TPR 20' SL-156 SCKTS ONE END
1	10	26-0115037-06	CABLE CLAMP, 3/8"D, 1/2"W .203" MTG HOLE, BLACK
1	11	13-104111-063	NUT, 10-24 CAD PLATED WHIZ OR STEEL ZINC PLATED
1	12	46-0743825-17	ASS'Y, CABLE GTT LED EMITTER 17'
2	13	26-0215001-06	TY WRAP, 6" BLACK
1	14	39-1M17672-08	HSNG, PLUG 8 POS 18 AWG SL-156 W/ LOCKING RAMP
2	15	07-26F833-000	BRACKET, FILLER ALLEY POSITION FREEDOM IV
10	16	14-062216-081	SCREW, 6-32 X 1/2 PPHMS SEMS W/IT LOCK WASHER 410 SS
4	17	19-147132-000	RETAINER, CORNER LINEAR ASSY FREEDOM IV
1	18	01-026F826-___	ASSY, CORNER L-FRONT/R-REAR 12LED FREEDOM IV
1	19	01-026F827-___	ASSY, CORNER R-FRONT/L-REAR 12LED FREEDOM IV
1	20	02-036G163-00	BLANK PASSENGER REAR CORNER, FREEDOM IV
1	21	02-036G164-00	BLANK DRIVER REAR CORNER, FREEDOM IV
2	22	07-247177-000	BRACKET, FULL FILLER FREEDOM IV
1	23	07-247202-000	BRACKET, EXTRUSION MOUNT FREEDOM IV
1	24	07-247203-000	BRACKET, EMITTER MOUNT FREEDOM IV
3	25	14-062216-041	SCREW, 6-32 X 1/4 PPHMS SEMS W/IT LOCK WASHER 410 SS
4	26	15-041416-060	SCREW, 4 X 3/8 PPHSMS
REF.	27	01-1317921-01	EMITTER, LED LOW PRO. GTT MODEL 795H PROGRMD
2	28	07-247513-000	BRACKET, TAKEDOWN CENTER OPT FREEDOM IV
2	29	07-226275-000	BRACKET, CORNER CLAMP LIBERTY II
2	30	07-226279-000	BRACKET, FILLER 1.400" FREEDOM IV
4	31	07-26F382-000	BRACKET, SNAP-IN LT MODULE MT
1	32	46-0787707-00	ASSY, HARNESS J1 MINI LEGACY
1	33	46-0787707-01	ASSY, HARNESS J6 MINI LEGACY
A/R	34	26-0215001-03	TY WRAP, 3" BLACK
1	35	68-196F602-30	LENS, CLEAR OPTIC 2-LT CENTER FREEDOM IV
2	36	02-036F779330	SUB ASSY, LENS CUT CLR GRY 24" MINI FREEDOM IV
4	37	38-046F226-00	SEAL, LENS DIVIDER FREEDOM IV
2	38	38-046F227-00	DIVIDER, LENS FREEDOM IV
4	39	14-104286-16J	SCREW, 10-24 X 1.25" WAX DIP SHLDR PHTX TRI POINT SS
1	40	11-26E377-009	COVER, TOP EXTRUDED CENTER LEGACY LTBAR
2	41	11-247572-003	COVER, TOP 3.36" MACHINED FREEDOM IV
8	42	15-105C76-148	SCREW, 10 X 7/8 T-25 TORX TRUSS HD PLASTI-LOC SS W/INSEAL
1	43	01-0483969007	KIT, 7 MOUNTING, RTNL, INSTALL
1	44	10-0322935-00	LABEL, "FRONT" LIGHTBAR ASSYS
1	45	10-0526294-00	LABEL, PN/M/NSN FREEDOM IV
1	46	10-0526295-00	LABEL, SERIAL NUMBER FREEDOM IV
1	47	46-0787707-03	HARNESS J5 MINI LEGACY
2	48	68-396F391-31	LENS, METALIZED FULL FREEDOM IV
2	49	68-396F391-31	LENS, METALIZED FULL FREEDOM IV
2	50	07-223841-000	BRACKET, SPACER LEGACY LIGHTBAR

NOTE: Not all parts listed in the parts list appear on the parts drawing.

