

Lower Road, Barnacle
 Coventry
 CV7 9LD
 Phone: 02476 841750
 Fax: (02476 621796)
 Sales Email: sales@woodwayengineering.com

Safety First

This document provides necessary information to allow your Whelen product to be properly and safely installed. Before beginning the installation and/or operation of this product, the installation technician and operator must read this manual completely. Important information is contained herein that could prevent serious injury or damage.

- ! Proper installation of this product requires the installer to have a good understanding of automotive electronics, systems and procedures.
- ! Whelen Engineering requires the use of waterproof butt splices and/or connectors if that connector could be exposed to moisture.
- ! Failure to use specified installation parts and/or hardware will void the product warranty!
- ! If mounting this product requires drilling holes, the installer **MUST** be sure that no vehicle components or other vital parts could be damaged by the drilling process. Check both sides of the mounting surface before drilling begins. Also de-burr any holes and remove any metal shards or remnants. Install grommets into all wire passage holes.
- ! Do not install this product or route any wires in the deployment area of your air bag. Equipment mounted or located in the air bag deployment area will damage or reduce the effectiveness of the air bag, or become a projectile that could cause serious personal injury or death. Refer to your vehicle owner's manual for the air bag deployment area. The User/Installer assumes full responsibility to determine proper mounting location, based on providing ultimate safety to all passengers inside the vehicle.
- ! For this product to operate at optimum efficiency, a good electrical connection to chassis ground must be made. The recommended procedure requires the product ground wire to be connected directly to the **NEGATIVE (-)** battery post.
- ! Do not attempt to activate or control this device in a hazardous driving situation.
- ! If this product uses a remote device to activate or control this product, make sure that this control is located in an area that allows both the vehicle and the control to be operated safely in any driving condition.
- ! This product contains either strobe light(s), halogen light(s), high-intensity LEDs or a combination of these lights. Do not stare directly into these lights. Momentary blindness and/or eye damage could result..
- ! Use only soap and water to clean the outer lens. Use of other chemicals could result in premature lens cracking (crazing) and discoloration. Lenses in this condition have significantly reduced effectiveness and should be replaced immediately. Inspect and operate this product regularly to confirm its proper operation and mounting condition. Do not use a pressure washer to clean this product.
- ! **WARNING!** All customer supplied wires that connect to the positive (+) terminal of the battery must be sized to supply at least 125% of the maximum operating current and **FUSED "at the battery"** to carry that load. **DO NOT USE CIRCUIT BREAKERS WITH THIS PRODUCT!**
- ! **FAILURE TO FOLLOW THESE PRECAUTIONS AND INSTRUCTIONS COULD RESULT IN DAMAGE TO THE PRODUCT OR VEHICLE AND/OR SERIOUS INJURY TO YOU AND YOUR PASSENGERS!**

Mounting (Standard Bracket)

- Place the bracket against the mounting surface and mark the two mounting hole locations. **Confirm that no vehicle parts could be damaged by the drilling process.** Using an appropriately sized bit, drill two mounting holes sized for a #8 sheet metal screw and a wire passage hole (see template below). De-burr all holes and install a grommet in the wire passage hole to protect the wires.

NOTE: VHB adhesive tape is provided as an alternative to securing the ION™ with screws. Remove the protective backing from this tape and press it firmly onto the bottom of the bracket as shown. Clean the mounting surface with a 50/50 mix of isopropyl alcohol and water and dry thoroughly before mounting the bracket onto the mounting surface.

- Route the wires through the hole in the bracket and through the wire passage hole. Secure the ION™ to the bracket using the hardware provided. Wire as outlined below.

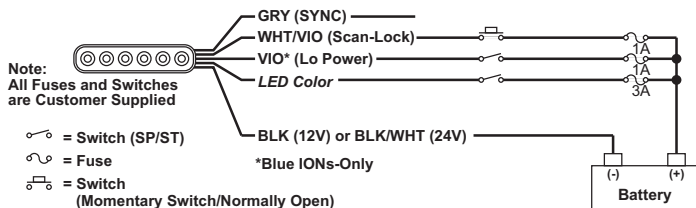
Mounting (Gripper Bracket)

- Apply the protective pads to the bracket in the location shown (side view). Secure the ION™ to the bracket in the same fashion as outlined for the standard bracket.
- Position the bracket onto the proposed mounting surface as shown. Apply a drop of Loctite 222 to the threads of the #6 x 13mm PPHMS provided. Thread these screws into the underside of the bracket as shown and secure the bracket to the mounting surface.

Mounting (Surface Mount)

- Using the mounting gasket as a template (specific dimensions shown at right), mark and drill two, 6mm diameter mounting holes and one, 16mm diameter wire passage hole into the proposed mounting surface. **Confirm that no vehicle parts could be damaged by the drilling process.** Be sure to deburr these three holes before continuing.
- Install the screw grommets provided into the ION™ as shown. Using appropriately sized wire, extend the ION wires through the mounting gasket and mounting surface. Install a switch and fuse (customer supplied) as specified and make all the electrical connections shown in the diagram below.
- Secure the ION™ to the mounting surface using the hardware provided.

Wiring

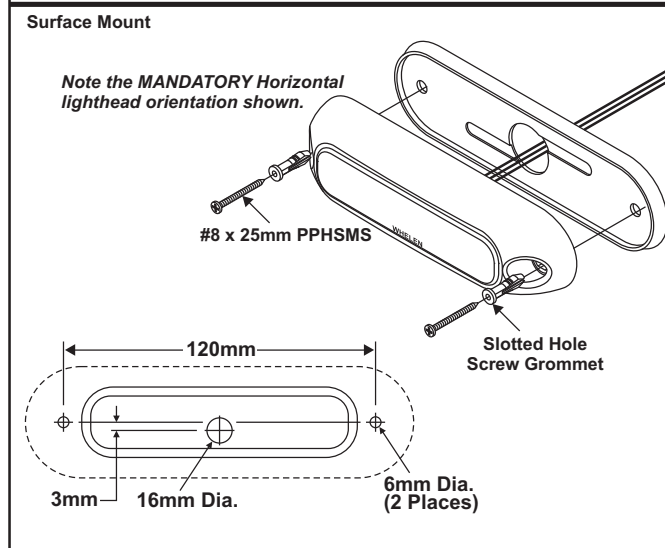
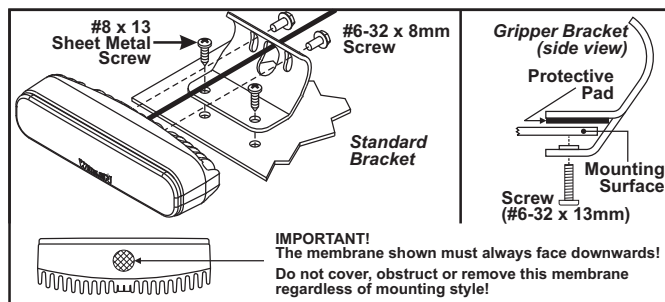


Operation

Scan-Lock™ (WHT/VIO) - To advance to the next pattern, apply +VDC to the WHT/VIO wire for less than 1 second. To cycle backwards, apply +VDC for more than 1 second. To reset to the factory default pattern, turn off power to the lighthouse. While applying +VDC to the WHT/VIO, turn the lighthouse back on. Continue to apply voltage for 5 seconds.

Sync (GREY) - When the Sync wires of two lighthouses are connected, lighthouses configured to display the Phase 1 mode of a pattern will flash simultaneously. Any lighthouses configured to display the Phase 2 mode will alternate with any Phase 1 lighthouses with the same pattern.

Model	Description	E-Mark	
IONA-R65C1	12V, Universal Mount	E11 XA1 000213	XA1 E11 000213
IONSMA-R65C1	12V, Surface Mount	E11 XA1 000213	
IONB-R65C2	12V, Universal Mount	E11 XB2 000212	XB2 E11 000212
IONSMB-R65C2	12V, Surface Mount	E11 XB2 000212	
IONA24-R65C1	24V, Universal Mount	E11 XA1 000214	XA1 E11 000214
IONSMA24-R65C1	24V, Surface Mount	E11 XA1 000214	
IONB24-R65C2	24V, Universal Mount	E11 XB2 000211	XB2 E11 000211
IONSMB24-R65C2	24V, Surface Mount	E11 XB2 000211	



Flash Patterns:

- | | | | | |
|---------------------|------|---------------------|------|---------------------|
| 1. Double 125 | PH 1 | 11. Service Pattern | PH 1 | 21. Service Pattern |
| 2. Double 125 | PH 2 | 12. Service Pattern | PH 2 | 22. Service Pattern |
| 3. Service Pattern | PH 1 | 13. Service Pattern | PH 1 | 23. Service Pattern |
| 4. Service Pattern | PH 2 | 14. Service Pattern | PH 2 | 24. Service Pattern |
| 5. Service Pattern | PH 1 | 15. Service Pattern | | 25. Service Pattern |
| 6. Service Pattern | PH 2 | 16. Service Pattern | | 26. Service Pattern |
| 7. Service Pattern | PH 1 | 17. Service Pattern | | 27. Service Pattern |
| 8. Service Pattern | PH 2 | 18. Service Pattern | 19. | 28. Service Pattern |
| 9. Service Pattern | PH 1 | Service Pattern | | 29. Service Pattern |
| 10. Service Pattern | PH 2 | 20. Service Pattern | | |

NOTE: Patterns 3 thru 29 are Service Patterns and serve as place holders for future pattern development.

IMPORTANT WARNING!

CAUTION! DO NOT LOOK DIRECTLY AT THESE LEDS WHILE THEY ARE ON. MOMENTARY BLINDNESS AND/OR EYE DAMAGE COULD RESULT!

Warnings to Installers

Whelen's emergency vehicle warning devices must be properly mounted and wired in order to be effective and safe. Read and follow all of Whelen's written instructions when installing or using this device. Emergency vehicles are often operated under high speed stressful conditions which must be accounted for when installing all emergency warning devices. Controls should be placed within convenient reach of the operator so that he can operate the system without taking his eyes off the roadway. Emergency warning devices can require high electrical voltages and/or currents. Properly protect and use caution around live electrical connections. Grounding or shorting of electrical connections can cause high current arcing, which can cause personal injury and/or vehicle damage, including fire. Many electronic devices used in emergency vehicles can create or be affected by electromagnetic interference. Therefore, after installation of any electronic device it is necessary to test all electronic equipment simultaneously to insure that they operate free of interference from other components within the vehicle. Never power emergency warning equipment from the same circuit or share the same grounding circuit with radio communication equipment. All devices should be mounted in accordance with the manufacturer's instructions and securely fastened to vehicle elements of sufficient strength to withstand the forces applied to the device. Driver and/or passenger air bags (SRS) will affect the way equipment should be mounted. This device should be mounted by permanent installation and within the zones specified by the vehicle manufacturer, if any. Any device mounted in the deployment area of an air bag will damage or reduce the effectiveness of the air bag and may damage or dislodge the device. Installer must be sure that this device, its mounting hardware and electrical supply wiring does not interfere with the air bag or the SRS wiring or sensors. Mounting the unit inside the vehicle by a method other than permanent installation is not recommended as unit may become dislodged during swerving; sudden braking or collision. Failure to follow instructions can result in personal injury. Whelen assumes no liability for any loss resulting from the use of this warning device. **PROPER INSTALLATION COMBINED WITH OPERATOR TRAINING IN THE PROPER USE OF EMERGENCY WARNING DEVICES IS ESSENTIAL TO INSURE THE SAFETY OF EMERGENCY PERSONNEL AND THE PUBLIC.**

Warnings to Users

Whelen's emergency vehicle warning devices are intended to alert other operators and pedestrians to the presence and operation of emergency vehicles and personnel. However, the use of this or any other Whelen emergency warning device does not guarantee that you will have the right-of-way or that other drivers and pedestrians will properly heed an emergency warning signal. Never assume you have the right-of-way. It is your responsibility to proceed safely before entering an intersection, driving against traffic, responding at a high rate of speed, or walking on or around traffic lanes. Emergency vehicle warning devices should be tested on a daily basis to ensure that they operate properly. When in actual use, the operator must ensure that both visual and audible warnings are not blocked by vehicle components (i.e.: open trunks or compartment doors), people, vehicles, or other obstructions. It is the user's responsibility to understand and obey all laws regarding emergency warning devices. The user should be familiar with all applicable laws and regulations prior to the use of any emergency vehicle warning device. Whelen's audible warning devices are designed to project sound in a forward direction away from the vehicle occupants. However, because sustained periodic exposure to loud sounds can cause hearing loss, all audible warning devices should be installed and operated in accordance with the standards established by the National Fire Protection Association.