

# WHELEN<sup>®</sup>

## ENGINEERING COMPANY INC.

51 Winthrop Road  
Chester, Connecticut 06412-0684  
Phone: (860) 526-9504  
Fax: (860) 526-4078  
Internet: [www.whelen.com](http://www.whelen.com)  
Sales e-mail: [autosale@whelen.com](mailto:autosale@whelen.com)  
Canadian Sales e-mail: [canadiansales@whelen.com](mailto:canadiansales@whelen.com)  
Customer Service e-mail: [custserv@whelen.com](mailto:custserv@whelen.com)

**Installation Guide:**  
**Outer Edge® Pillar Mount Lightbar**  
**WeCan® Compatible**  
**For use with Carbide™ and CanTrol® Systems**  
**2011-2016 Tahoe PPV**

### Warnings to Installers

Whelen's emergency vehicle warning devices must be properly mounted and wired in order to be effective and safe. Read and follow all of Whelen's written instructions when installing or using this device. Emergency vehicles are often operated under high speed stressful conditions which must be accounted for when installing all emergency warning devices. Controls should be placed within convenient reach of the operator so that they can operate the system without taking their eyes off the roadway. Emergency warning devices can require high electrical voltages and/or currents. Properly protect and use caution around live electrical connections. Grounding or shorting of electrical connections can cause high current arcing, which can cause personal injury and/or vehicle damage, including fire. Many electronic devices used in emergency vehicles can create or be affected by electromagnetic interference. Therefore, after installation of any electronic device it is necessary to test all electronic equipment simultaneously to insure that they operate free of interference from other components within the vehicle. Never power emergency warning equipment from the same circuit or share the same grounding circuit with radio communication equipment. All devices should be mounted in accordance with the manufacturer's instructions and securely fastened to vehicle elements of sufficient strength to withstand the forces applied to the device. Driver and/or passenger air bags (SRS) will affect the way equipment should be mounted. This device should be mounted by permanent installation and within the zones specified by the vehicle manufacturer, if any. Any device mounted in the deployment area of an air bag will damage or reduce the effectiveness of the air bag and may damage or dislodge the device. Installer must be sure that this device, its mounting hardware and electrical supply wiring does not interfere with the air bag or the SRS wiring or sensors. Mounting the unit inside the vehicle by a method other than permanent installation is not recommended as unit may become dislodged during swerving; sudden braking or collision. Failure to follow instructions can result in personal injury. Whelen assumes no liability for any loss resulting from the use of this warning device. **PROPER INSTALLATION COMBINED WITH OPERATOR TRAINING IN THE PROPER USE OF EMERGENCY WARNING DEVICES IS ESSENTIAL TO INSURE THE SAFETY OF EMERGENCY PERSONNEL AND THE PUBLIC.**

### Warnings to Users

Whelen's emergency vehicle warning devices are intended to alert other operators and pedestrians to the presence and operation of emergency vehicles and personnel. However, the use of this or any other Whelen emergency warning device does not guarantee that you will have the right-of-way or that other drivers and pedestrians will properly heed an emergency warning signal. Never assume you have the right-of-way. It is your responsibility to proceed safely before entering an intersection, driving against traffic, responding at a high rate of speed, or walking on or around traffic lanes. Emergency vehicle warning devices should be tested on a daily basis to ensure that they operate properly. When in actual use, the operator must ensure that both visual and audible warnings are not blocked by vehicle components (i.e.: open trunks or compartment doors), people, vehicles, or other obstructions. It is the user's responsibility to understand and obey all laws regarding emergency warning devices. The user should be familiar with all applicable laws and regulations prior to the use of any emergency vehicle warning device. Whelen's audible warning devices are designed to project sound in a forward direction away from the vehicle occupants. However, because sustained periodic exposure to loud sounds can cause hearing loss, all audible warning devices should be installed and operated in accordance with the standards established by the National Fire Protection Association.

### Safety First

This document provides all the necessary information to allow your Whelen product to be properly and safely installed. Before beginning the installation and/or operation of your new product, the installation technician and operator must read this manual completely. Important information is contained herein that could prevent serious injury or damage.

- **Proper installation of this product requires the installer to have a good understanding of automotive electronics, systems and procedures.**
- **Whelen Engineering requires the use of waterproof butt splices and/or connectors if that connector could be exposed to moisture.**
- **Any holes, either created or utilized by this product, should be made both air- and watertight using a sealant recommended by your vehicle manufacturer.**
- **Failure to use specified installation parts and/or hardware will void the product warranty.**
- **If mounting this product requires drilling holes, the installer MUST be sure that no vehicle components or other vital parts could be damaged by the drilling process. Check both sides of the mounting surface before drilling begins. Also de-burr the holes and remove any metal shards or remnants. Install grommets into all wire passage holes.**
- **If this manual states that this product may be mounted with suction cups, magnets, tape or Velcro®, clean the mounting surface with a 50/50 mix of isopropyl alcohol and water and dry thoroughly.**
- **Do not install this product or route any wires in the deployment area of your air bag. Equipment mounted or located in the air bag deployment area will damage or reduce the effectiveness of the air bag, or become a projectile that could cause serious personal injury or death. Refer to your vehicle owner's manual for the air bag deployment area. The User/Installer assumes full responsibility to determine proper mounting location, based on providing ultimate safety to all passengers inside the vehicle.**
- **For this product to operate at optimum efficiency, a good electrical connection to chassis ground must be made. The recommended procedure requires the product ground wire to be connected directly to the NEGATIVE (-) battery post (this does not include products that use cigar power cords).**
- **If this product uses a remote device for activation or control, make sure that this device is located in an area that allows both the vehicle and the device to be operated safely in any driving condition.**
- **Do not attempt to activate or control this device in a hazardous driving situation.**
- **This product contains either strobe light(s), halogen light(s), high-intensity LEDs or a combination of these lights. Do not stare directly into these lights. Momentary blindness and/or eye damage could result.**
- **Use only soap and water to clean the outer lens. Use of other chemicals could result in premature lens cracking (crazing) and discoloration. Lenses in this condition have significantly reduced effectiveness and should be replaced immediately. Inspect and operate this product regularly to confirm its proper operation and mounting condition. Do not use a pressure washer to clean this product.**
- **It is recommended that these instructions be stored in a safe place and referred to when performing maintenance and/or reinstallation of this product.**
- **FAILURE TO FOLLOW THESE SAFETY PRECAUTIONS AND INSTRUCTIONS COULD RESULT IN DAMAGE TO THE PRODUCT OR VEHICLE AND/OR SERIOUS INJURY TO YOU AND YOUR PASSENGERS!**



Fig. 1

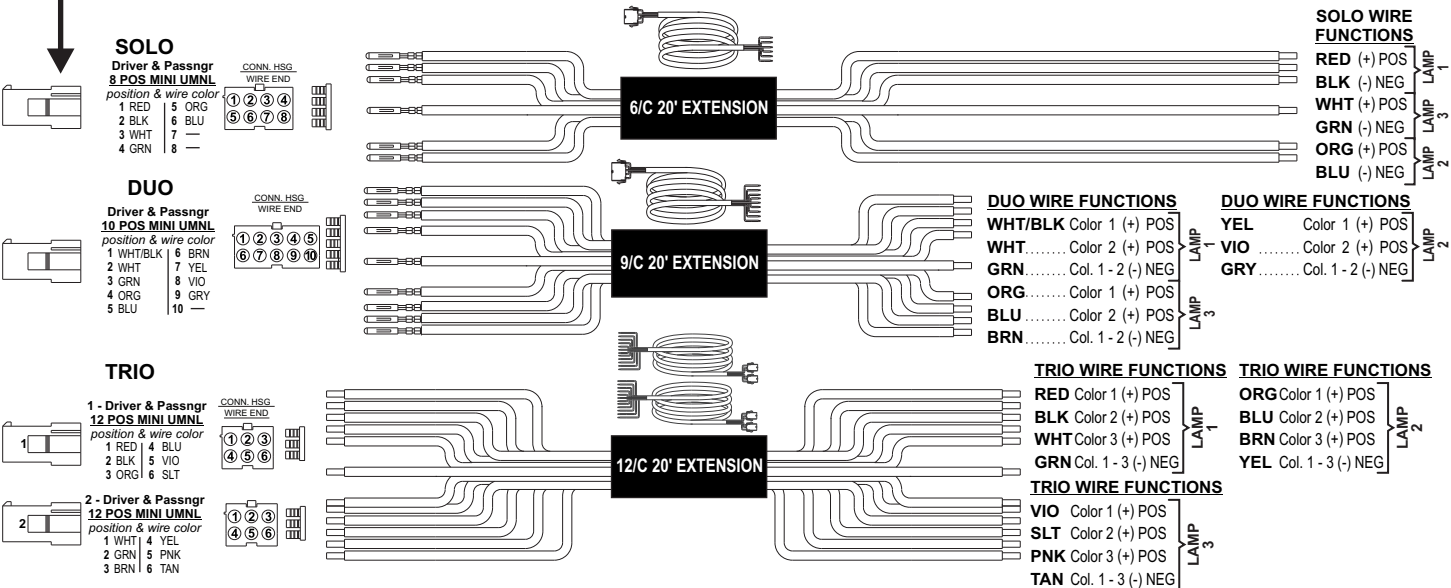
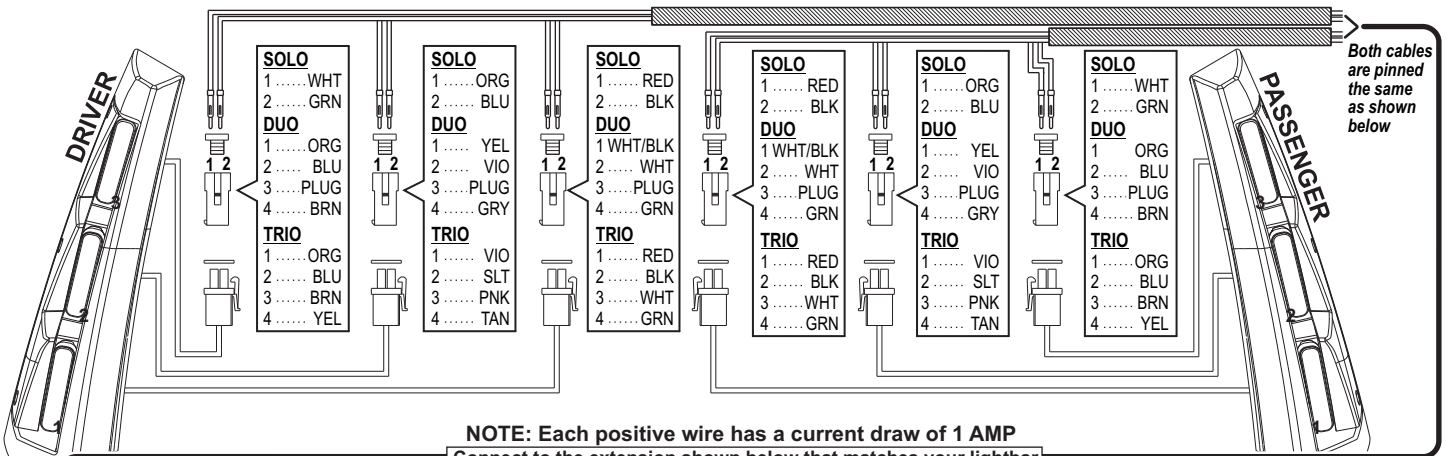
**IMPORTANT!** The lightbar should be a minimum of 16" from radio antennas!

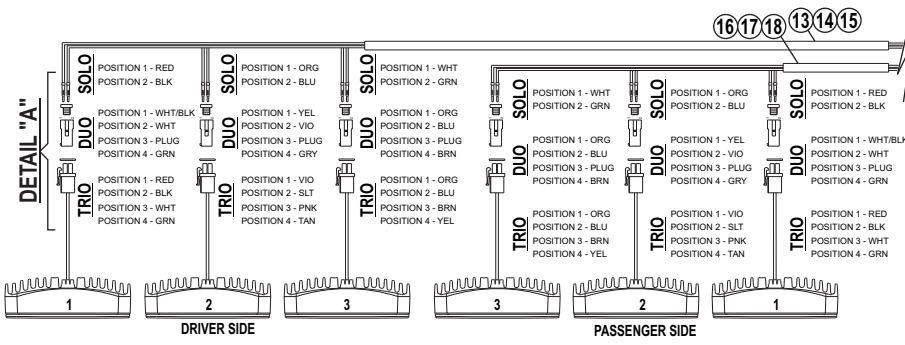
**Installation 2011 - 2016 Tahoe PPV:**

1. Remove the screw indicated in Figure 1 and pull the plastic panel off which covers the mounting area of the "D" Pillar. After removing the screw, the panel will just pull out and snap back in.
2. Remove the 3 screws that hold the "D" pillar in and remove the "D" pillar.
3. Following the factory tail light harness, install the lightbar wire harness into the vehicle and extend it to your control system.
4. With the harness in place, plug it into the lightbar and install the lightbar where the "D" pillar was mounted using the original "D" pillar mounting hardware and mounting holes.
5. Replace the plastic panel you removed in step 1.
6. Repeat this procedure for the other side of the vehicle.

**WARNING!** It is the responsibility of the installation technician to make sure that the installation and operation of this product will not interfere with or compromise the operation or efficiency of any vehicle equipment! Before returning the vehicle to active service, visually confirm the proper operation of this product, as well as all vehicle components/equipment.

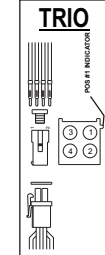
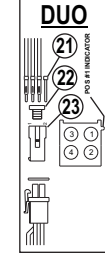
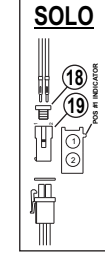
**WARNING!** All customer supplied wires that connect to the positive terminal of the battery must be sized to supply at least 125% of the maximum operating current and **FUSED** at the battery to carry that load. **DO NOT USE CIRCUIT BREAKERS WITH THIS PRODUCT**



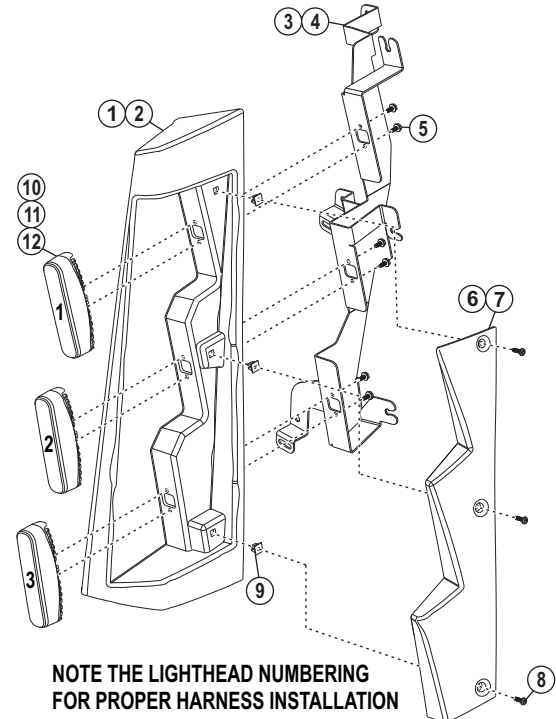
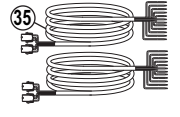
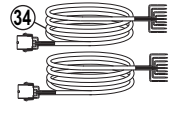
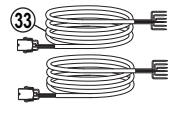
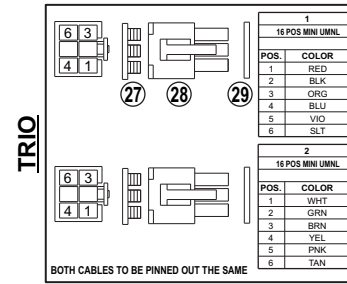
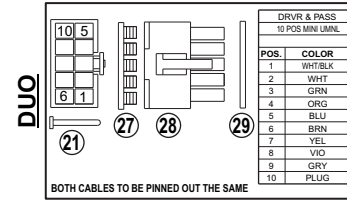
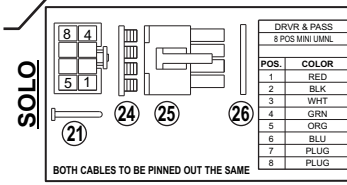


QTY	QTY	QTY	ITEM	PART NUMBER	DESCRIPTION
	*			01-0688260-01	ION PILLAR EDGE, WC COMPATIBLE, SOLO, TAHOE
	*			01-0688260-02	ION PILLAR EDGE, WC COMPATIBLE, DUO, TAHOE
	*			01-0688260-03	ION PILLAR EDGE, WC COMPATIBLE, TRIO, TAHOE
1	1	1	1	11-488198-L00	HSNG, DRVR REAR PILLAR ION 2014+ TAHOE TRIMD
1	1	1	2	11-488198-R00	HSNG, PASS REAR PILLAR ION 2014+ TAHOE TRIMD
1	1	1	3	07-288232-023	BRACKET, MT DRVR ION PILLAR EDGE 2014+ TAHOE BLK
1	1	1	4	07-288232-123	BRACKET, MT PASS ION PILLAR EDGE 2014+ TAHOE BLK
12	12	12	5	15-018680-056	SCREW, 6 X 5/16 PHIL HWH TFS PLASTITE 48-2 302 SS
1	1	1	6	11-26H098-L00	COVER, DRVR REAR PILLAR ION 2014+ TAHOE TRIMMED
1	1	1	7	11-26H098-R00	COVER, PASS REAR PILLAR ION 2014+ TAHOE TRIMMED
6	6	6	8	15-06121B-082	SCREW, 6 X 1/2 PPHSMS TYPE A 410 SS BLK ZINC OXIDE
6	6	6	9	13-062C40-16J	SCREW GROMMET, #6/#8 FASTEX 242-160502-70-0101
-	-	-	10	01-026D816	SUB ASSY, ION LT 2-WIRE
-	6	-	11	01-026F896	SUB ASSY, DUO ION LT
6	-	-	12	01-026G865	SUB ASSY, TRIO ION LT
-	-	1	13	46-0788212-00	CABLE HARNESS 6/C 3' OUTER EDGE
-	1	-	14	46-0788212-02	CABLE HARNESS 9/C 3' OUTER EDGE
1	-	-	15	46-0788212-04	CABLE HARNESS 12/C 3' OUTER EDGE
-	-	1	16	46-0788212-01	CABLE HARNESS 6/C 5' OUTER EDGE
-	1	-	17	46-0788212-03	CABLE HARNESS 9/C 5' OUTER EDGE
1	-	-	18	46-0788212-05	CABLE HARNESS 12/C 5' OUTER EDGE
-	-	6	19	39-2H17430-02	SEAL, GANG 2 POS MINI UMNL
-	-	6	20	39-0917426-02	HOUSING, CAP, 2 X 1 POS MINI UMNL, SEALED
-	8	4	21	39-2H17430-00	SEAL, CAVITY PLUG 1 POS MINI UMNL
6	6	-	22	39-2H17430-04	SEAL, GANG 4 POS MINI UMNL
6	6	-	23	39-0917426-04	HOUSING, CAP, 2 X 2 POS MINI UMNL, SEALED
-	-	2	24	39-2H17430-08	SEAL, GANG 8 POS MINI UMNL
-	-	2	25	39-0917425-08	HOUSING, PLUG, 2 X 4 POS MINI UMNL, SEALED
-	-	2	26	39-2H17429-08	SEAL, INTERFACE 8 POS MINI UMNL
-	2	-	27	39-2H17430-10	SEAL, GANG 10 POS MINI UMNL
-	2	-	28	39-0917425-10	HOUSING, PLUG, 2 X 5 POS MINI UMNL, SEALED
-	2	-	29	39-2H17429-10	SEAL, INTERFACE 10 POS MINI UMNL
4	-	-	30	39-2H17430-06	SEAL, GANG 6 POS MINI UMNL
4	-	-	31	39-0917425-06	HOUSING, PLUG, 2 X 3 POS MINI UMNL, SEALED
4	-	-	32	39-2H17429-06	SEAL, INTERFACE 6 POS MINI UMNL
-	-	2	33	46-0788212-06	CABLE EXTENSION 6/C 20' OUTER EDGE
-	2	-	34	46-0788212-07	CABLE EXTENSION 9/C 20' OUTER EDGE
2	-	-	35	46-0788212-08	CABLE EXTENSION 12/C 20' OUTER EDGE
1	1	1	36	66-0117352-00	ALCOHOL, PREP 70 ISOPROPYL
4	4	4	37	66-0418909-00	TAPE, SILIC. FOAM 1/2"W X .062" THK WPSA CUT TO 17-1/2"

**DETAIL "A"**



**PINOUTS**



**NOTE THE LIGHTHEAD NUMBERING FOR PROPER HARNESS INSTALLATION**