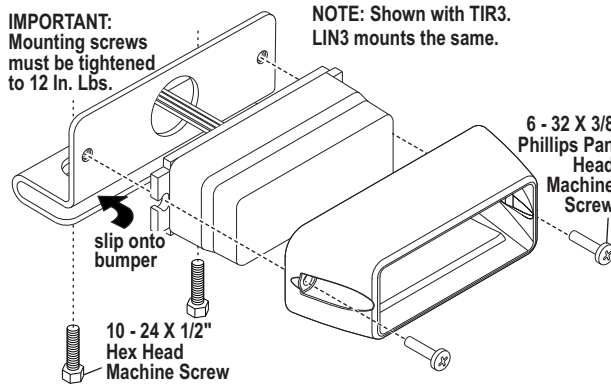


WHELEN[®] ENGINEERING COMPANY INC.

51 Winthrop Road,
Chester, Connecticut 06412-0684
Phone: (860) 526-9504
Fax: (860) 526-4078

Internet: www.whelen.com
Sales e-mail: autosale@whelen.com
Canadian Sales e-mail: canadiansales@whelen.com
Customer Service e-mail: custserv@whelen.com

Installation Guide:
Bumper Mount Bracket
for TIR3™ or LIN3™



Installation:

This bracket mounts to the bumper and is secured using supplied mounting hardware.

1. Secure lighthouse to mounting bracket using supplied 6-32 X 3/8 Phillips Pan Head Machine Screws.

2. Clip the mounting bracket onto the vehicle bumper where you would like it to sit and secure it by tightening the two 10 - 24 X 1/2 Hex Head Machine Screws using a torque wrench set at 12 In. Lbs.

IMPORTANT WARNING: The mounting screws must be tightened to 12 In. Lbs.

NOTE: Since there are several options for the wire path, the choice is left to the installers discretion for extending the wires to power. If a wire hole is required, use a 3/8" drill bit. Drill the wire hole when you drill the bracket mounting holes. It is recommended you install a rubber grommet (customer supplied) in the wire hole.

WARNING: All customer supplied wires that connect to the positive terminal of the battery must be sized to supply at least 125% of the maximum operating current and **FUSED** at the battery to carry that load. **DO NOT USE CIRCUIT BREAKERS WITH THIS PRODUCT!**

IMPORTANT WARNING!

CAUTION! DO NOT LOOK DIRECTLY AT THESE LED'S WHILE THEY ARE ON. MOMENTARY BLINDNESS AND/OR EYE DAMAGE COULD RESULT!

©2017 Whelen Engineering Company Inc.
Form No.14A61 (021417)

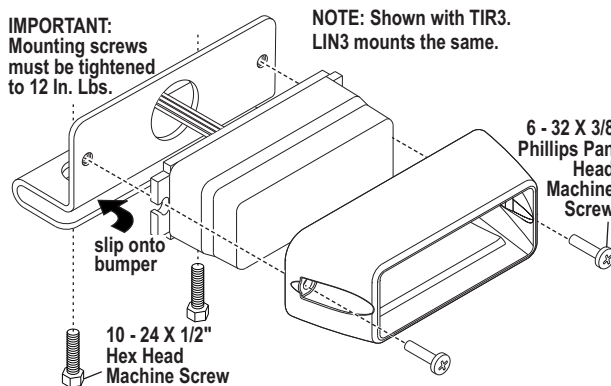
For warranty information regarding this product, visit www.whelen.com/warranty

WHELEN[®] ENGINEERING COMPANY INC.

51 Winthrop Road,
Chester, Connecticut 06412-0684
Phone: (860) 526-9504
Fax: (860) 526-4078

Internet: www.whelen.com
Sales e-mail: autosale@whelen.com
Canadian Sales e-mail: canadiansales@whelen.com
Customer Service e-mail: custserv@whelen.com

Installation Guide:
Bumper Mount Bracket
for TIR3™ or LIN3™



Installation:

This bracket mounts to the bumper and is secured using supplied mounting hardware.

1. Secure lighthouse to mounting bracket using supplied 6-32 X 3/8 Phillips Pan Head Machine Screws.

2. Clip the mounting bracket onto the vehicle bumper where you would like it to sit and secure it by tightening the two 10 - 24 X 1/2 Hex Head Machine Screws using a torque wrench set at 12 In. Lbs.

IMPORTANT WARNING: The mounting screws must be tightened to 12 In. Lbs.

NOTE: Since there are several options for the wire path, the choice is left to the installers discretion for extending the wires to power. If a wire hole is required, use a 3/8" drill bit. Drill the wire hole when you drill the bracket mounting holes. It is recommended you install a rubber grommet (customer supplied) in the wire hole.

WARNING: All customer supplied wires that connect to the positive terminal of the battery must be sized to supply at least 125% of the maximum operating current and **FUSED** at the battery to carry that load. **DO NOT USE CIRCUIT BREAKERS WITH THIS PRODUCT!**

IMPORTANT WARNING!

CAUTION! DO NOT LOOK DIRECTLY AT THESE LED'S WHILE THEY ARE ON. MOMENTARY BLINDNESS AND/OR EYE DAMAGE COULD RESULT!

©2017 Whelen Engineering Company Inc.
Form No.14A61 (021417)

For warranty information regarding this product, visit www.whelen.com/warranty