

# WHELEN<sup>®</sup>

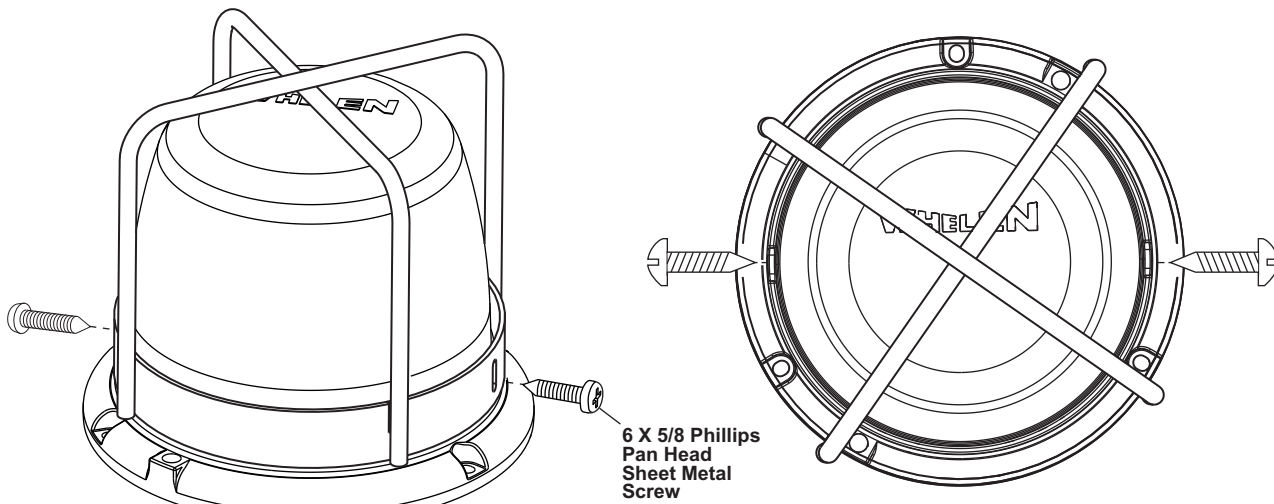
ENGINEERING COMPANY INC.

51 Winthrop Road,  
Chester, Connecticut 06412-0684  
Phone: (860) 526-9504  
Fax: (860) 526-4078

Internet: [www.whelen.com](http://www.whelen.com)  
Sales e-mail: [autosale@whelen.com](mailto:autosale@whelen.com)  
Canadian Sales e-mail: [canadiansales@whelen.com](mailto:canadiansales@whelen.com)  
Customer Service e-mail: [custserv@whelen.com](mailto:custserv@whelen.com)

## Installation Guide: Beacon Branch Guard for Models BGL, BGH and L40BG

The branch guard mounts to the beacon using the two screws that secure the dome. The branch guard kit includes two #6 X 5/8 Phillips Pan Head Sheet Metal Screws. Use these screws to replace the original dome screws that come with the beacon. When mounting the branch guard to the beacon it is important to tighten both screws evenly or the dome will be off center. As you tighten the screws, tighten one screw three turns and alternate with the other screw going 3 turns at a time until the branch guard is secure.



©2017 Whelen Engineering Company Inc.  
Form No. 14A72 (060617)

For warranty information regarding this product, visit [www.whelen.com/warranty](http://www.whelen.com/warranty)

# WHELEN<sup>®</sup>

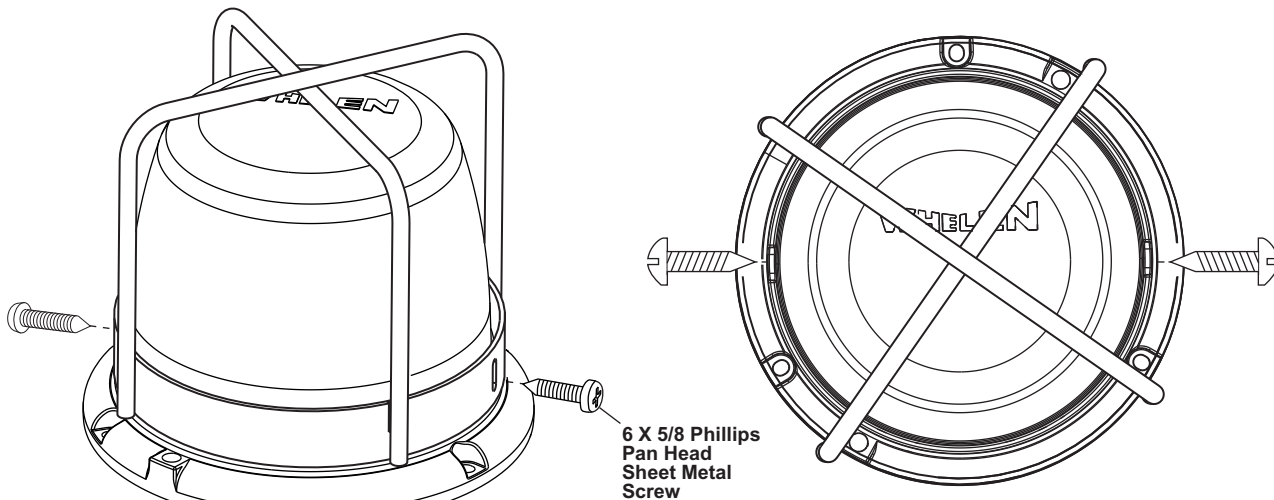
ENGINEERING COMPANY INC.

51 Winthrop Road,  
Chester, Connecticut 06412-0684  
Phone: (860) 526-9504  
Fax: (860) 526-4078

Internet: [www.whelen.com](http://www.whelen.com)  
Sales e-mail: [autosale@whelen.com](mailto:autosale@whelen.com)  
Canadian Sales e-mail: [canadiansales@whelen.com](mailto:canadiansales@whelen.com)  
Customer Service e-mail: [custserv@whelen.com](mailto:custserv@whelen.com)

## Installation Guide: Beacon Branch Guard Models BGL, BGH, WBGL and L40BG

The branch guard mounts to the beacon using the two screws that secure the dome. The branch guard kit includes two #6 X 5/8 Phillips Pan Head Sheet Metal Screws. Use these screws to replace the original dome screws that come with the beacon. When mounting the branch guard to the beacon it is important to tighten both screws evenly or the dome will be off center. As you tighten the screws, tighten one screw three turns and alternate with the other screw going 3 turns at a time until the branch guard is secure.



©2017 Whelen Engineering Company Inc.  
Form No. 14A72 (060617)

For warranty information regarding this product, visit [www.whelen.com/warranty](http://www.whelen.com/warranty)