

WHELEN[®]
ENGINEERING COMPANY INC.

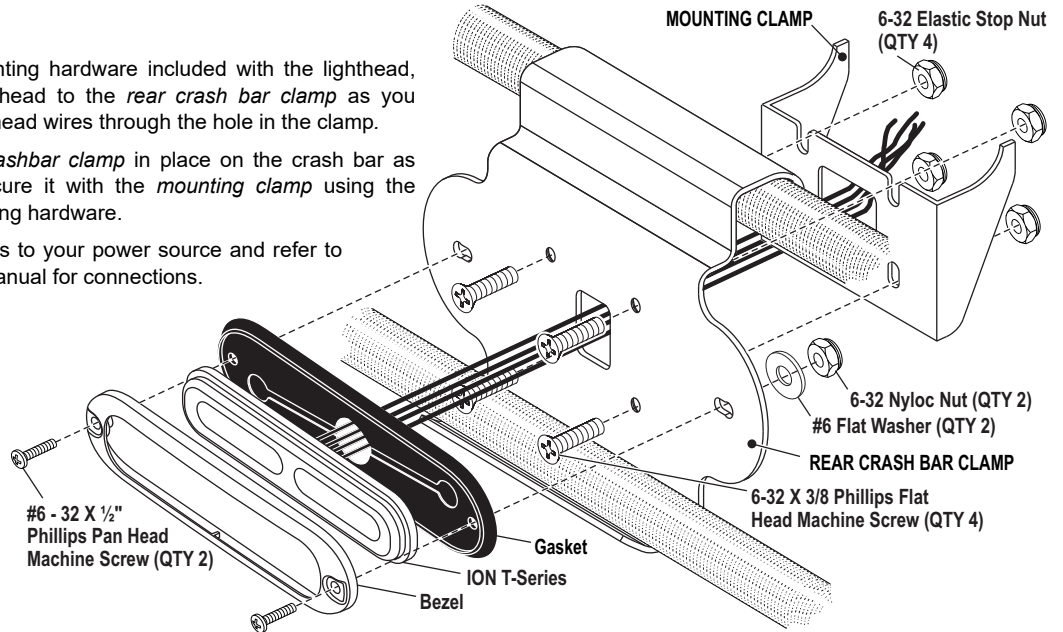
51 Winthrop Road,
Chester, Connecticut 06412-0684
Phone: (860) 526-9504
Fax: (860) 526-4078

Installation Guide:
Rear Crash Bar ION™ T-Series Mounting Bracket
2017 Harley Davidson®
Saddlebag Guardrail Kit #90200561

Internet: www.whelen.com
Sales e-mail: autosale@whelen.com
Canadian Sales e-mail: canadiansales@whelen.com
Customer Service e-mail: custserv@whelen.com

Installation:

1. Using the mounting hardware included with the lighthead, mount the lighthead to the rear crash bar clamp as you thread the lighthead wires through the hole in the clamp.
2. Put the rear crashbar clamp in place on the crash bar as shown and secure it with the mounting clamp using the supplied mounting hardware.
3. Extend the wires to your power source and refer to the lighthead manual for connections.



©2017 Whelen Engineering Company Inc.
Form No.14A88 (091317)

For warranty information regarding this product, visit www.whelen.com/warranty

WHELEN[®]
ENGINEERING COMPANY INC.

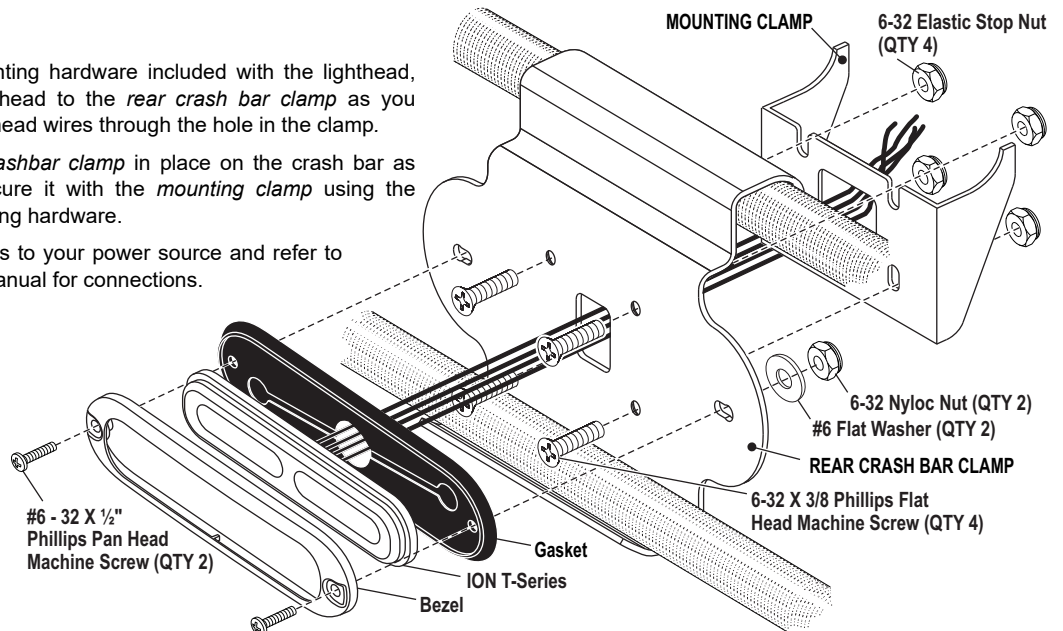
51 Winthrop Road,
Chester, Connecticut 06412-0684
Phone: (860) 526-9504
Fax: (860) 526-4078

Installation Guide:
Rear Crash Bar ION™ T-Series Mounting Bracket
2017 Harley Davidson®
Saddlebag Guardrail Kit #90200561

Internet: www.whelen.com
Sales e-mail: autosale@whelen.com
Canadian Sales e-mail: canadiansales@whelen.com
Customer Service e-mail: custserv@whelen.com

Installation:

1. Using the mounting hardware included with the lighthead, mount the lighthead to the rear crash bar clamp as you thread the lighthead wires through the hole in the clamp.
2. Put the rear crashbar clamp in place on the crash bar as shown and secure it with the mounting clamp using the supplied mounting hardware.
3. Extend the wires to your power source and refer to the lighthead manual for connections.



©2017 Whelen Engineering Company Inc.
Form No.14A88 (091317)

For warranty information regarding this product, visit www.whelen.com/warranty