

WHELEN[®] ENGINEERING COMPANY INC.

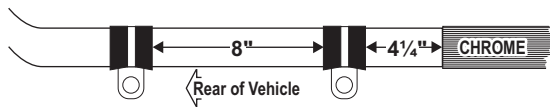
51 Winthrop Road,
Chester, Connecticut 06412-0684
Phone: (860) 526-9504
Fax: (860) 526-4078

Installation Guide: Saddlebag Mounting Bracket
Tracer™ Series, Super-LED® Light Array
2009 - 2017 Harley-Davidson® Road King® and Electra Glide®

Internet: www.whelen.com
Sales e-mail: autosale@whelen.com
Canadian Sales e-mail: canadiansales@whelen.com
Customer Service e-mail: custserv@whelen.com

Installation:

- On both looped mounting straps, use the supplied isopropyl alcohol wipes to clean the part of the rubber that will come in contact with the bar you are mounting to. It is also a good idea to clean the part of the bar that the brackets will mount to.
- Remove the saddlebag and position the two mounting straps on the lower bar that the saddlebag mounts to. The measurements shown for the position of the straps are critical so the straps will not interfere with the saddlebag. Measure from where the chrome ends (toward the front of the bar).

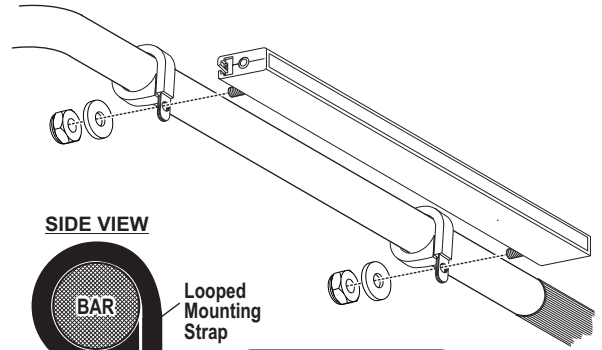


- Slide the hex bolts into the track on the back of the Tracer and mount the Tracer to the mounting straps using the supplied hardware. Double check to make sure the straps are in position within the measurements from step 2 and tighten all mounting hardware firmly.

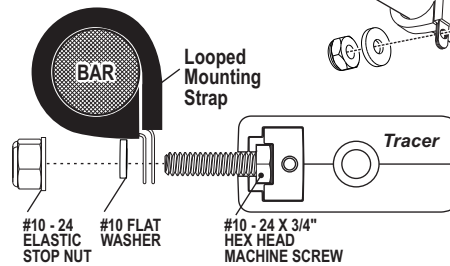
SIDE VIEW



- Extend the lighthead wires to the power source and connect as shown in the lighthead instructions. Secure and dress all wires properly. Visually confirm the proper operation of this product, as well as all vehicle components and equipment.



SIDE VIEW



©2017 Whelen Engineering Company Inc.
Form No.14A91 (062817)

For warranty information regarding this product, visit www.whelen.com/warranty

WHELEN[®] ENGINEERING COMPANY INC.

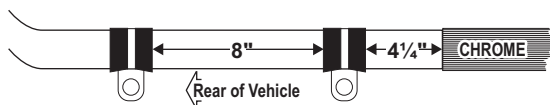
51 Winthrop Road,
Chester, Connecticut 06412-0684
Phone: (860) 526-9504
Fax: (860) 526-4078

Installation Guide: Saddlebag Mounting Bracket
Tracer™ Series, Super-LED® Light Array
2009 - 2017 Harley-Davidson® Road King® and Electra Glide®

Internet: www.whelen.com
Sales e-mail: autosale@whelen.com
Canadian Sales e-mail: canadiansales@whelen.com
Customer Service e-mail: custserv@whelen.com

Installation:

- On both looped mounting straps, use the supplied isopropyl alcohol wipes to clean the part of the rubber that will come in contact with the bar you are mounting to. It is also a good idea to clean the part of the bar that the brackets will mount to.
- Remove the saddlebag and position the two mounting straps on the lower bar that the saddlebag mounts to. The measurements shown for the position of the straps are critical so the straps will not interfere with the saddlebag. Measure from where the chrome ends (toward the front of the bar).

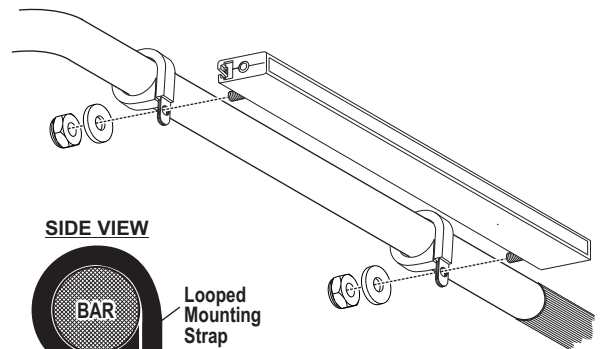


- Slide the hex bolts into the track on the back of the Tracer and mount the Tracer to the mounting straps using the supplied hardware. Double check to make sure the straps are in position within the measurements from step 2 and tighten all mounting hardware firmly.

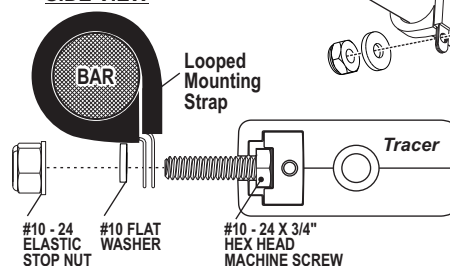
SIDE VIEW



- Extend the lighthead wires to the power source and connect as shown in the lighthead instructions. Secure and dress all wires properly. Visually confirm the proper operation of this product, as well as all vehicle components and equipment.



SIDE VIEW



©2017 Whelen Engineering Company Inc.
Form No.14A91 (062817)

For warranty information regarding this product, visit www.whelen.com/warranty