

WHELEN[®]

ENGINEERING COMPANY INC.

51 Winthrop Road,
Chester, Connecticut 06412-0684
Phone: (860) 526-9504
Fax: (860) 526-4078

Internet: www.whelen.com
Sales e-mail: autosale@whelen.com
Canadian Sales e-mail: canadiansales@whelen.com
Customer Service e-mail: custserv@whelen.com

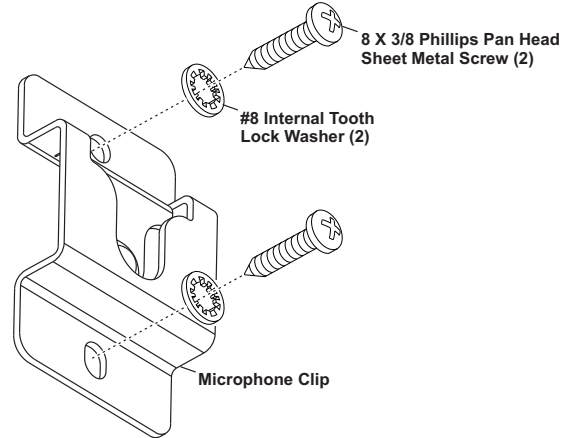
**Installation Guide:
Hand-held Control Head
(Model CANCTL5)**

Installing the Mounting Clip:

Using the supplied mounting hardware, secure the mounting clip in a convenient location within easy reach.

Caution: Permanent mounting of this product will require drilling. It is absolutely necessary to make sure that no other vehicle components could be damaged by this process. Check both sides of the mounting surface before starting. If damage is likely, select a different mounting location.

IMPORTANT! It is the responsibility of the installation technician to make sure that the installation and operation of this product will not interfere with or compromise the operation or efficiency of any vehicle equipment! Before returning the vehicle to active service, visually confirm the proper operation of this product, as well as all vehicle components/equipment.



©2017 Whelen Engineering Company Inc.
Form No.14B07 (090117)

For warranty information regarding this product, visit www.whelen.com/warranty

WHELEN[®]

ENGINEERING COMPANY INC.

51 Winthrop Road,
Chester, Connecticut 06412-0684
Phone: (860) 526-9504
Fax: (860) 526-4078

Internet: www.whelen.com
Sales e-mail: autosale@whelen.com
Canadian Sales e-mail: canadiansales@whelen.com
Customer Service e-mail: custserv@whelen.com

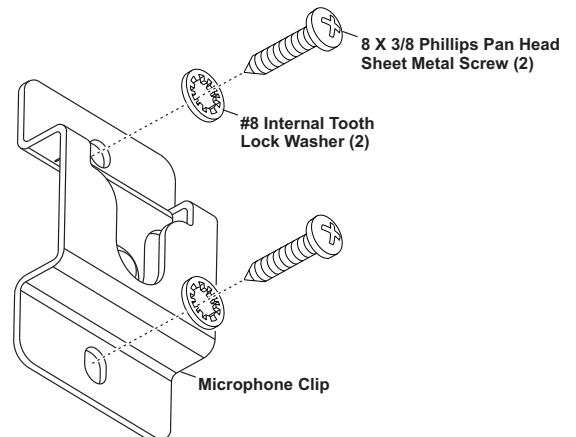
**Installation Guide:
Hand-held Control Head
(Model CANCTL5)**

Installing the Mounting Clip:

Using the supplied mounting hardware, secure the mounting clip in a convenient location within easy reach.

Caution: Permanent mounting of this product will require drilling. It is absolutely necessary to make sure that no other vehicle components could be damaged by this process. Check both sides of the mounting surface before starting. If damage is likely, select a different mounting location.

IMPORTANT! It is the responsibility of the installation technician to make sure that the installation and operation of this product will not interfere with or compromise the operation or efficiency of any vehicle equipment! Before returning the vehicle to active service, visually confirm the proper operation of this product, as well as all vehicle components/equipment.

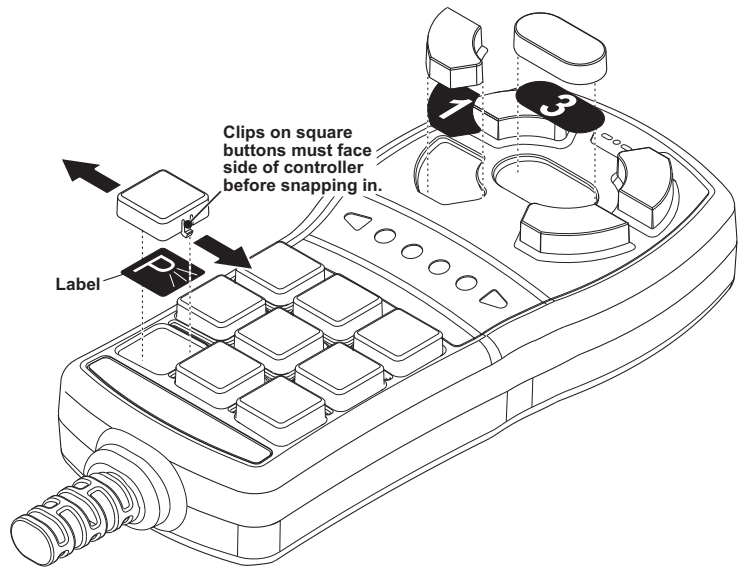
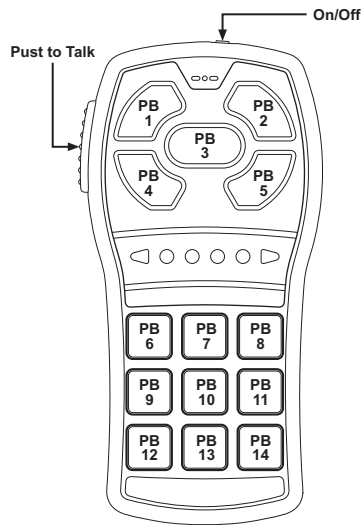


©2017 Whelen Engineering Company Inc.
Form No.14B07 (090117)

For warranty information regarding this product, visit www.whelen.com/warranty

Installing the labels into the buttons:

- For easy installation, put the label in place on the controller and then snap the button in over the top.
- You must snap the square buttons in with the clips facing the side of the controller. All other buttons can only be snapped in one way.
- Refer to the on-line help provided with the software for programming procedures.



Installing the labels into the buttons:

- For easy installation, put the label in place on the controller and then snap the button in over the top.
- You must snap the square buttons in with the clips facing the side of the controller. All other buttons can only be snapped in one way.
- Refer to the on-line help provided with the software for programming procedures.

