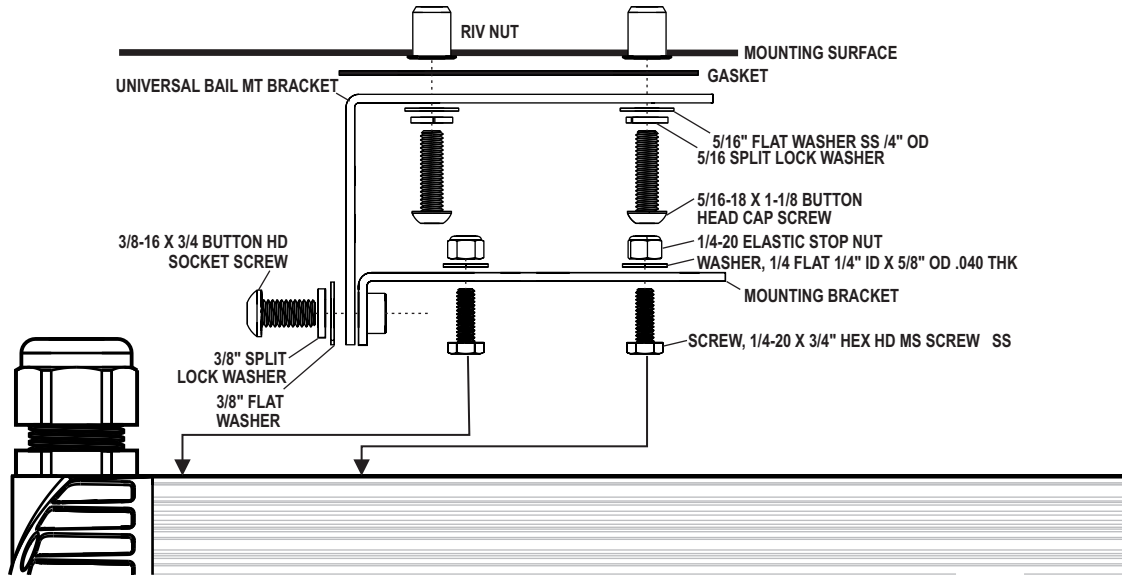


**WHELEN**<sup>®</sup>  
ENGINEERING COMPANY INC.

51 Winthrop Road,  
Chester, Connecticut 06412-0684  
Phone: (860) 526-9504  
Fax: (860) 526-4078

Internet: [www.whelen.com](http://www.whelen.com)  
Sales e-mail: [autosale@whelen.com](mailto:autosale@whelen.com)  
Canadian Sales e-mail: [canadiansales@whelen.com](mailto:canadiansales@whelen.com)  
Customer Service e-mail: [custserv@whelen.com](mailto:custserv@whelen.com)

Installation Guide:  
Pioneer™ Summit Bail Mount Bracket  
Model SUBKTB1



©2017 Whelen Engineering Company Inc.  
Form No. 14B09 (111517)

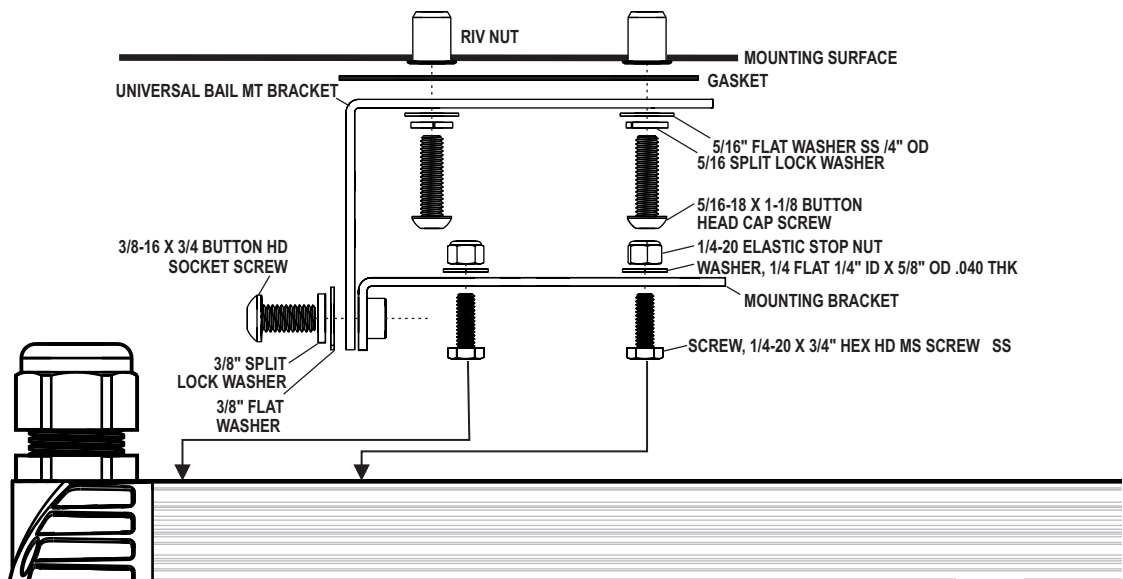
For warranty information regarding this product, visit [www.whelen.com/warranty](http://www.whelen.com/warranty)

**WHELEN**<sup>®</sup>  
ENGINEERING COMPANY INC.

51 Winthrop Road,  
Chester, Connecticut 06412-0684  
Phone: (860) 526-9504  
Fax: (860) 526-4078

Internet: [www.whelen.com](http://www.whelen.com)  
Sales e-mail: [autosale@whelen.com](mailto:autosale@whelen.com)  
Canadian Sales e-mail: [canadiansales@whelen.com](mailto:canadiansales@whelen.com)  
Customer Service e-mail: [custserv@whelen.com](mailto:custserv@whelen.com)

Installation Guide:  
Pioneer™ Summit Bail Mount Bracket  
Model SUBKTB1



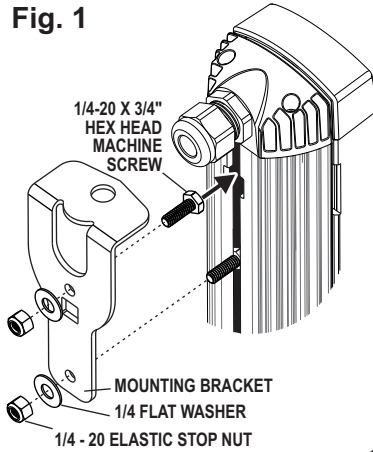
©2017 Whelen Engineering Company Inc.  
Form No. 14B09 (111517)

For warranty information regarding this product, visit [www.whelen.com/warranty](http://www.whelen.com/warranty)

**Installation / Bail Bracket:**

**NOTE:** This light can be mounted in a horizontal or vertical position using the same bail strap mount and hardware. The mounting holes in the bail bracket mount determine which application (Fig. 2).

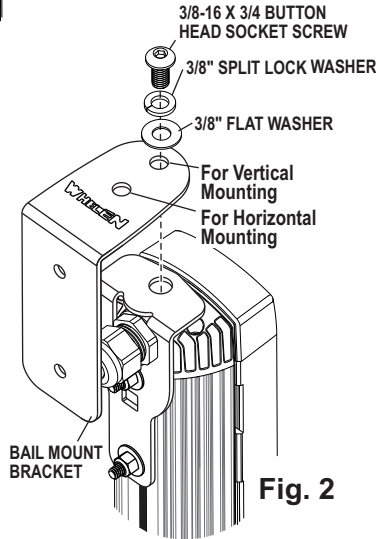
**Fig. 1**



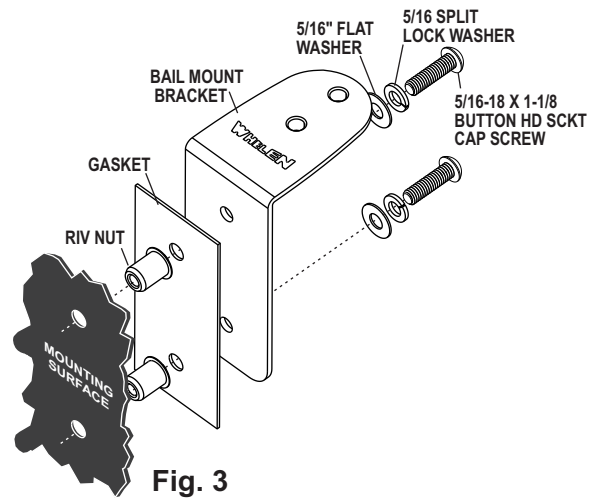
2. Mount the *Bail Mount Bracket* to the *Mounting Bracket* using the supplied hardware (Fig. 2). Repeat for other side of the light.

3. Position the light onto the mounting surface in its exact mounting position and mark the 4 mounting hole locations onto the mounting surface following the mounting hole specifications shown.

1. Insert the 10-24 X 3/4" HEX HEAD MACHINE SCREWS into the track on the back of light body and secure the *Mounting Bracket* to light body using the supplied hardware (Fig. 1). Repeat for other side of the light.



**Fig. 2**



**Fig. 3**

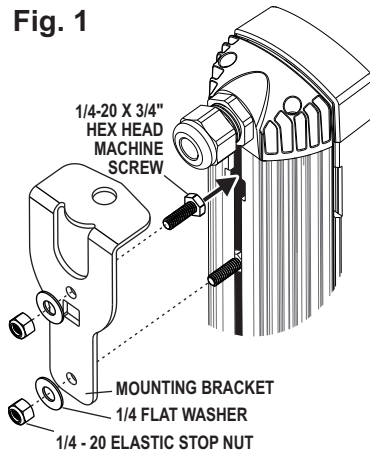
4. Remove the light, drill the mounting holes following the mounting hole specifications and install the supplied riv nuts.

5. Mount the light using the supplied mounting hardware (Fig. 3).

**Installation / Bail Bracket:**

**NOTE:** This light can be mounted in a horizontal or vertical position using the same bail strap mount and hardware. The mounting holes in the bail bracket mount determine which application (Fig. 2).

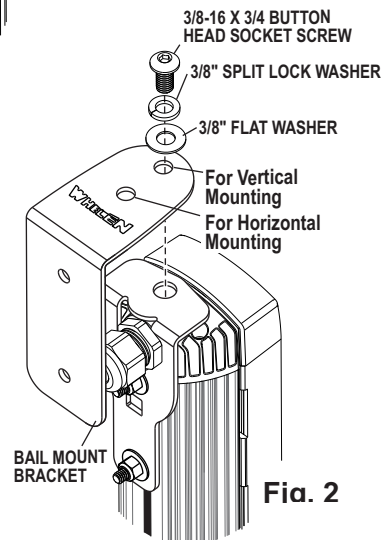
**Fig. 1**



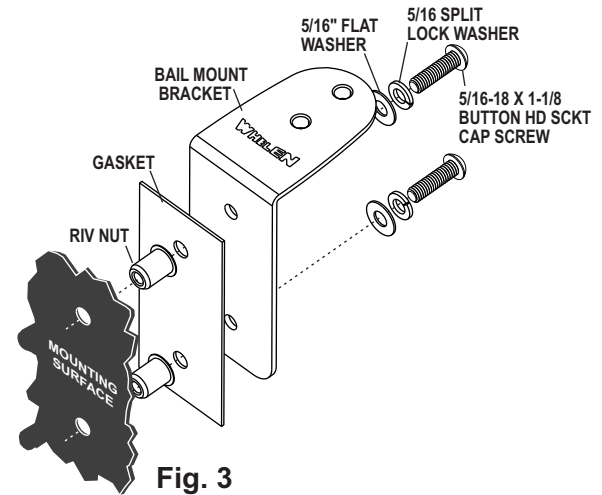
2. Mount the *Bail Mount Bracket* to the *Mounting Bracket* using the supplied hardware (Fig. 2). Repeat for other side of the light.

3. Position the light onto the mounting surface in its exact mounting position and mark the 4 mounting hole locations onto the mounting surface following the mounting hole specifications shown.

1. Insert the 10-24 X 3/4" HEX HEAD MACHINE SCREWS into the track on the back of light body and secure the *Mounting Bracket* to light body using the supplied hardware (Fig. 1). Repeat for other side of the light.



**Fig. 2**



**Fig. 3**

4. Remove the light, drill the mounting holes following the mounting hole specifications and install the supplied riv nuts.

5. Mount the light using the supplied mounting hardware (Fig. 3).