

WHELEN[®]

ENGINEERING COMPANY INC.

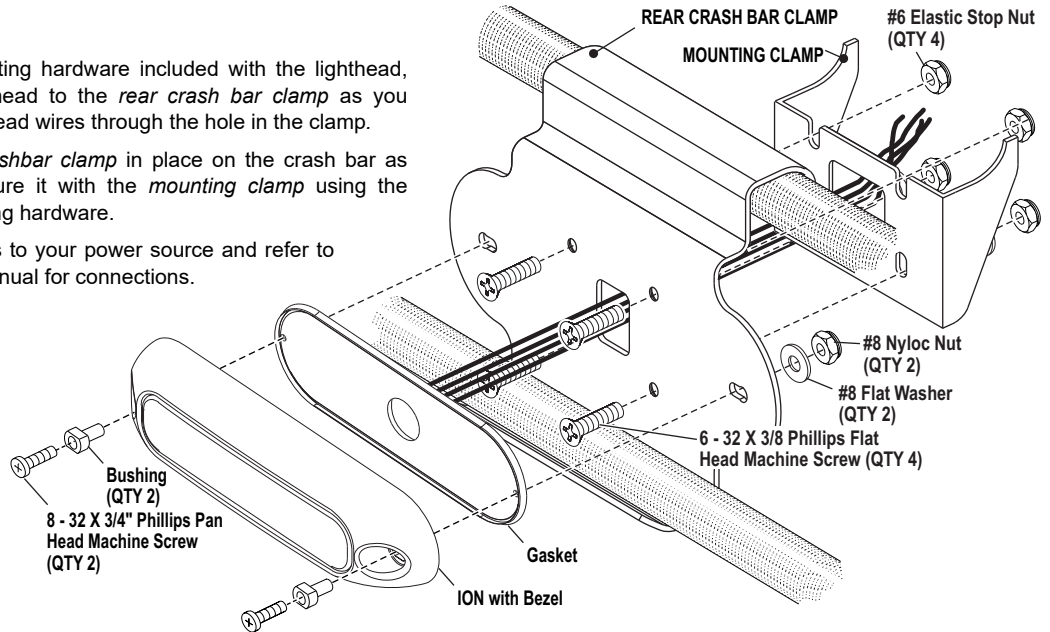
51 Winthrop Road,
Chester, Connecticut 06412-0684
Phone: (860) 526-9504
Fax: (860) 526-4078

Installation Guide:
Rear Crash Bar ION™ and Ion V- Series
Mounting Bracket for 2017 Harley Davidson®
Saddlebag Guardrail Kit #90200561

Internet: www.whelen.com
Sales e-mail: autosale@whelen.com
Canadian Sales e-mail: canadiansales@whelen.com
Customer Service e-mail: custserv@whelen.com

Installation:

- Using the mounting hardware included with the lighthead, mount the lighthead to the rear crash bar clamp as you thread the lighthead wires through the hole in the clamp.
- Put the rear crashbar clamp in place on the crash bar as shown and secure it with the mounting clamp using the supplied mounting hardware.
- Extend the wires to your power source and refer to the lighthead manual for connections.



©2017 Whelen Engineering Company Inc.
Form No. 14B15 (091317)

For warranty information regarding this product, visit www.whelen.com/warranty

WHELEN[®]

ENGINEERING COMPANY INC.

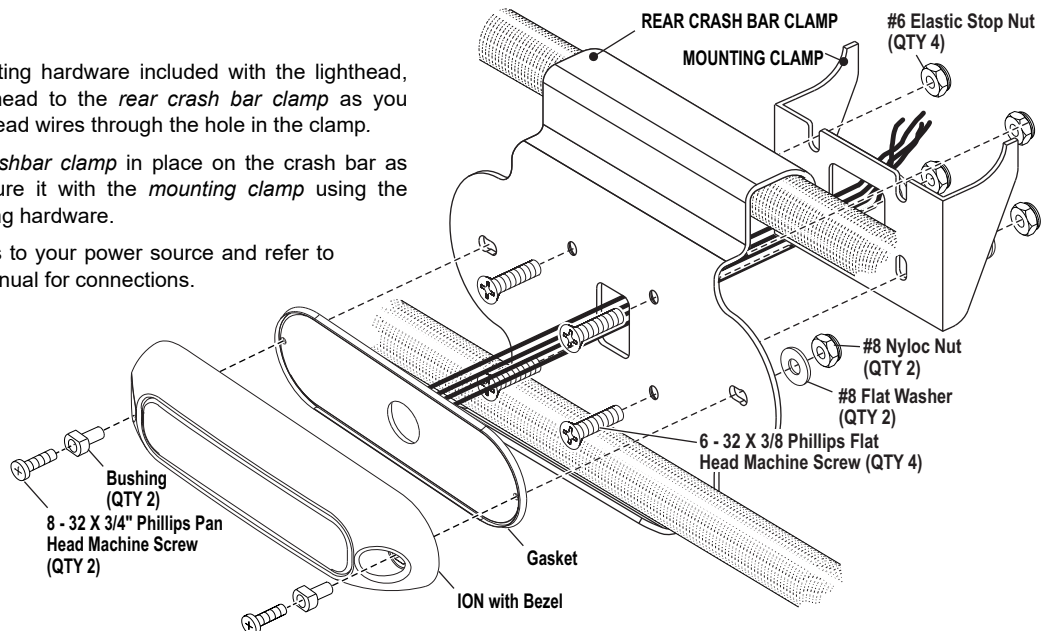
51 Winthrop Road,
Chester, Connecticut 06412-0684
Phone: (860) 526-9504
Fax: (860) 526-4078

Installation Guide:
Rear Crash Bar ION™ and Ion V- Series
Mounting Bracket for 2017 Harley Davidson®
Saddlebag Guardrail Kit #90200561

Internet: www.whelen.com
Sales e-mail: autosale@whelen.com
Canadian Sales e-mail: canadiansales@whelen.com
Customer Service e-mail: custserv@whelen.com

Installation:

- Using the mounting hardware included with the lighthead, mount the lighthead to the rear crash bar clamp as you thread the lighthead wires through the hole in the clamp.
- Put the rear crashbar clamp in place on the crash bar as shown and secure it with the mounting clamp using the supplied mounting hardware.
- Extend the wires to your power source and refer to the lighthead manual for connections.



©2017 Whelen Engineering Company Inc.
Form No. 14B15 (091317)

For warranty information regarding this product, visit www.whelen.com/warranty