

WHELEN[®]

ENGINEERING COMPANY INC.

51 Winthrop Road,
Chester, Connecticut 06412-0684
Phone: (860) 526-9504
Fax: (860) 526-4078

Installation Guide:
Side Crash Bar Lighthead Mounting Bracket
Harley Davidson[®] Saddlebag Guard Rail Kit #90200561
ION and ION™ T-Series™ Super-LED[®]

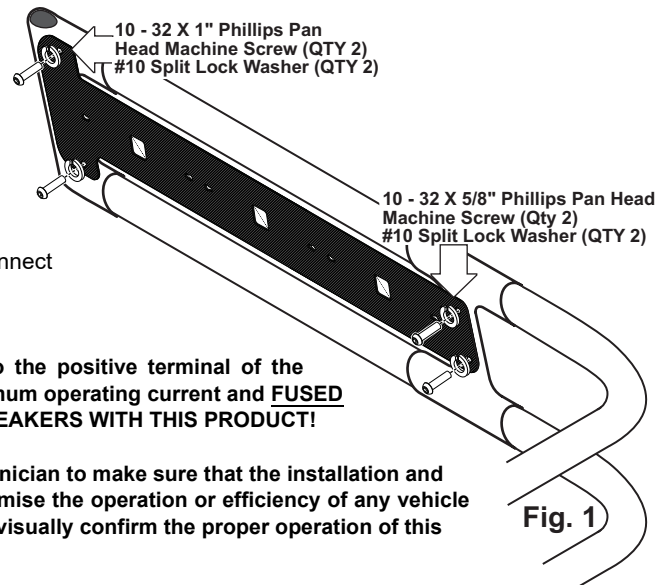
Internet: www.whelen.com
Sales e-mail: autosale@whelen.com
Canadian Sales e-mail: canadiansales@whelen.com
Customer Service e-mail: custserv@whelen.com

Installation:

1. On the crash bar, remove the existing hardware and mount the bracket with the supplied mounting hardware (Fig. 1)
2. Secure the lightheads to the bracket with the mounting hardware supplied with the lighthead (Fig. 2).
3. Extend the lighthead wires to your power source and connect as shown in the lighthead manual.
4. Secure and dress all wires.

WARNING! All customer supplied wires that connect to the positive terminal of the battery must be sized to supply at least 125% of the maximum operating current and **FUSED** at the battery to carry that load. **DO NOT USE CIRCUIT BREAKERS WITH THIS PRODUCT!**

IMPORTANT: It is the responsibility of the installation technician to make sure that the installation and operation of this product will not interfere with or compromise the operation or efficiency of any vehicle equipment! Before returning the vehicle to active service, visually confirm the proper operation of this product, as well as all vehicle components/equipment.



©2017 Whelen Engineering Company Inc.
Form No.14B22 (090617)

For warranty information regarding this product, visit www.whelen.com/warranty

WHELEN[®]

ENGINEERING COMPANY INC.

51 Winthrop Road,
Chester, Connecticut 06412-0684
Phone: (860) 526-9504
Fax: (860) 526-4078

Installation Guide:
Side Crash Bar Lighthead Mounting Bracket
Harley Davidson[®] Saddlebag Guard Rail Kit #90200561
ION and ION™ T-Series™ Super-LED[®]

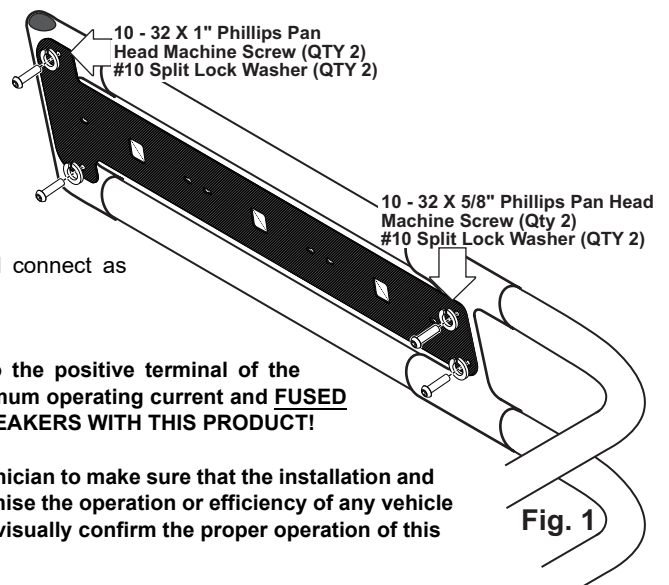
Internet: www.whelen.com
Sales e-mail: autosale@whelen.com
Canadian Sales e-mail: canadiansales@whelen.com
Customer Service e-mail: custserv@whelen.com

Installation:

1. On the crash bar, remove the existing hardware and mount the bracket with the supplied mounting hardware (Fig. 1)
2. Secure the lightheads to the bracket with the mounting hardware supplied with the lighthead (Fig. 2).
3. Extend the lighthead wires to your power source and connect as shown in the lighthead manual.
4. Secure and dress all wires.

WARNING! All customer supplied wires that connect to the positive terminal of the battery must be sized to supply at least 125% of the maximum operating current and **FUSED** at the battery to carry that load. **DO NOT USE CIRCUIT BREAKERS WITH THIS PRODUCT!**

IMPORTANT: It is the responsibility of the installation technician to make sure that the installation and operation of this product will not interfere with or compromise the operation or efficiency of any vehicle equipment! Before returning the vehicle to active service, visually confirm the proper operation of this product, as well as all vehicle components/equipment.



©2017 Whelen Engineering Company Inc.
Form No.14B22 (090617)

For warranty information regarding this product, visit www.whelen.com/warranty

Fig. 2

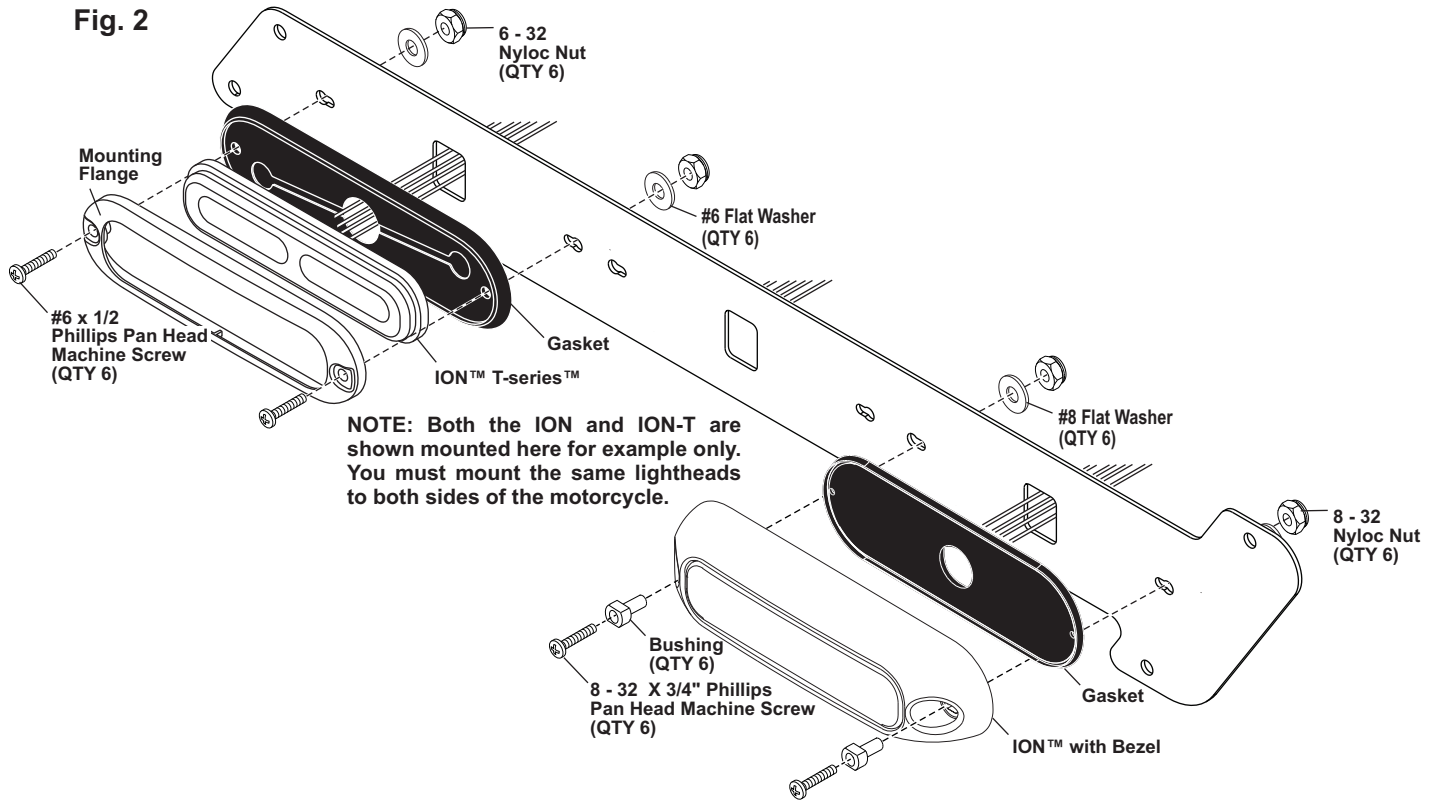


Fig. 2

