

# WHELEN<sup>®</sup>

## ENGINEERING COMPANY INC.

51 Winthrop Road  
 Chester, Connecticut 06412-0684  
 Phone: (860) 526-9504  
 Fax: (860) 526-4078  
 Internet: [www.whelen.com](http://www.whelen.com)  
 Sales e-mail: [autosale@whelen.com](mailto:autosale@whelen.com)  
 Canadian Sales e-mail: [canadiansales@whelen.com](mailto:canadiansales@whelen.com)  
 Customer Service e-mail: [custserv@whelen.com](mailto:custserv@whelen.com)

### Retro Fit Guide: Inner Edge<sup>®</sup> RST Rear Facing LC & WC Interior Lightbar 2017 Ford Explorer SUV Interceptor (Customer-supplied Lighthouse Installation)

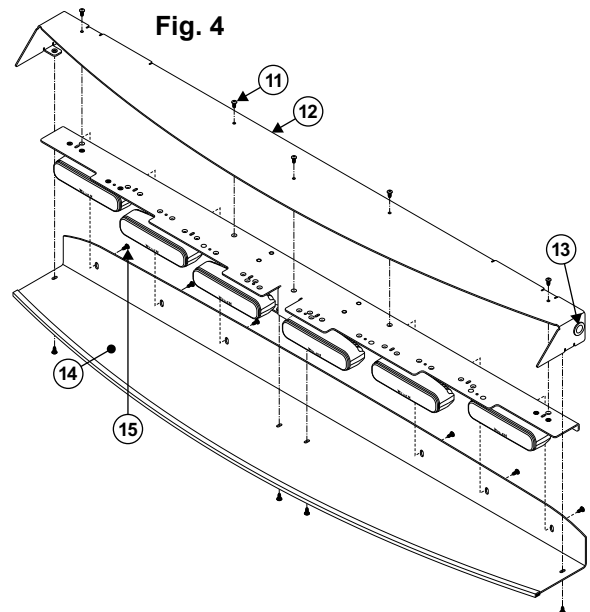
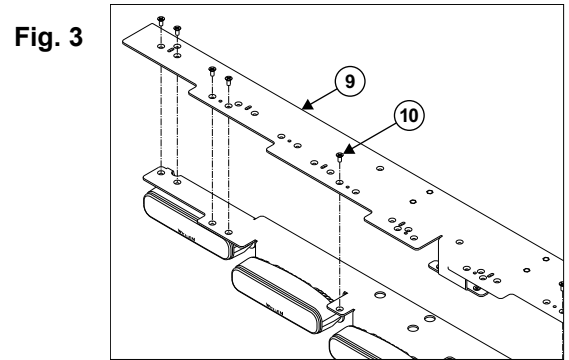
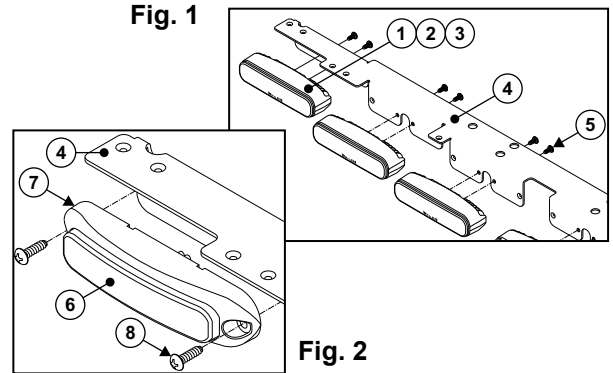
#### Lighthouse Installation:

1. **ION** - Mount the customer supplied lighthoods (1, 2, 3) onto the mounting frame (4) using the 6 x 5/16 hardware (5) as shown (Fig. 1). **Micron** - Place the lighthouse (6) inside the flange (7) and secure to the mounting frame (4) using the 6-32 x 1/2 hardware provided (8) as shown (Fig. 2).

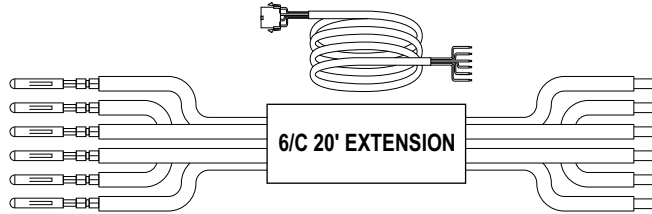
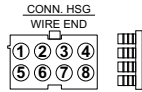
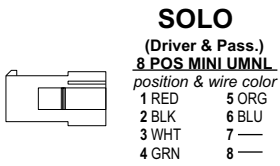
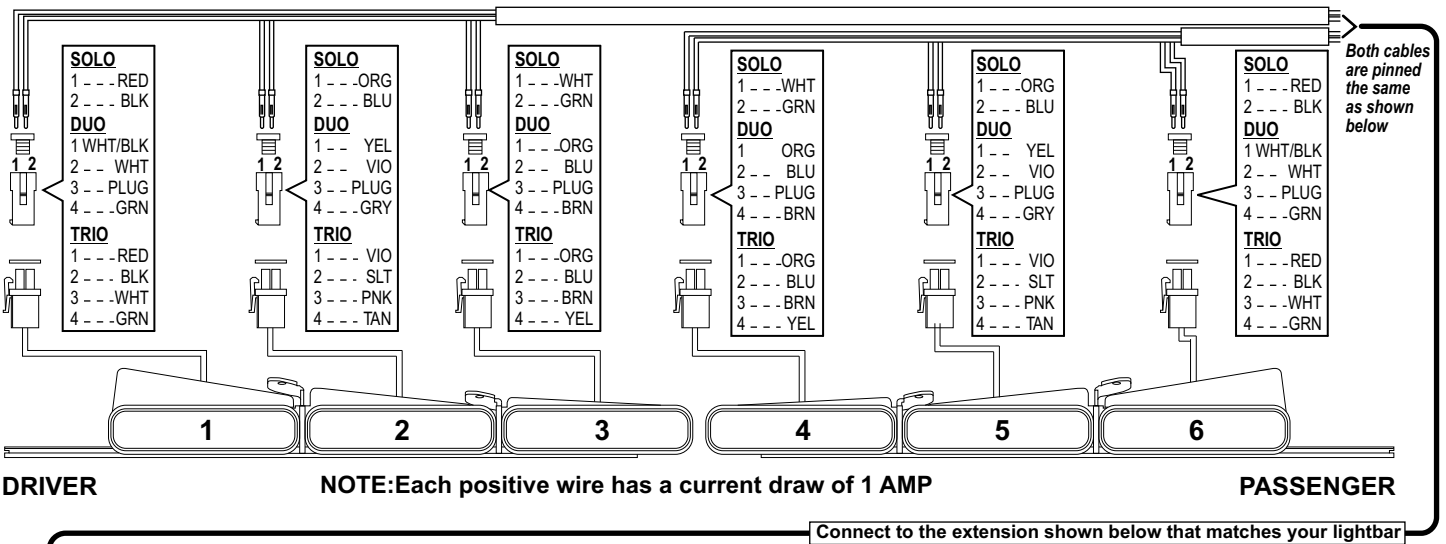
**NOTE: It is important to confirm the proper Passenger/Driver orientation of the lighthoods prior to installing them onto the mounting frame.**

2. Mount the intermediate frame (9) onto the mounting frame assembly using the 4-40 x 1/4 Phillips machine screws provided (10) (Fig 3.).
3. Install rubber grommets (13) into the wire passage holes located at either end of the upper cover (12). Using 4-40 x 1/4" Torx screws (11), mount the upper cover onto the intermediate frame (Fig.4). Route the customer supplied passenger- and driver-side cable assemblies through the appropriate grommet (13) located on the ends of the upper cover. **NOTE: Refer to the wiring information on the following page for specific pin-out information.**
4. Cable ties (not shown) are included and should be used as cable strain reliefs. Position the ties so that they are located behind the grommet for their respective cable.
5. Attach the lower cover (14) to the frame assembly using the 4-40 x 1/4" Torx screws (11).
6. Refer to the wiring diagram on the following page for important pin-out and wiring information.

**Refer to Whelen Instruction Manual #14A64 (included with this kit) for vehicle-specific installation information.**

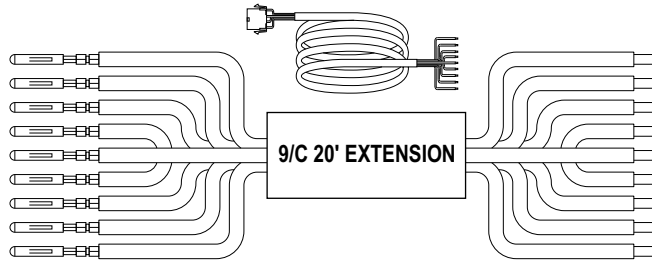
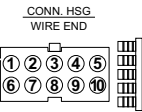
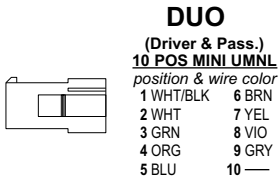


QTY.	ITEM	PART NUMBER	DESCRIPTION
		01-046H742-00	KIT, RETRO-FIT OUTER EDGE, INNER EDGE RST
A/R	1	01-026D816-**	SUB ASSY, ION LT 2-WIRE
A/R	2	01-026F8964**	SUB ASSY, DUO ION LT
A/R	3	01-026G8654**	SUB ASSY, TRIO ION LT
1	4	07-76H742-023	FRAME, MOUNTING 6 LIGHT RETRO FIT, INNER EDGE RST
12	5	15-018680-056	SCREW, 6 X 5/16 PHIL HWH TFS PLASTITE 48-2 302 SS
A/R	6	01-026E999-*0	SUB ASSY, FLUSH MT MICRON SPLASH PROOF
A/R	7	11-76E994-001	FLANGE, MICRON FLUSH MOUNT BLACK
12	8	14-062216-083	SCREW, 6-32 X 1/2 PPHMS SELF TAP TYPE F SS
1	9	07-788295-023	FRAME, INTERMEDIATE 8 & 10-LT BLACK INNER EDGE RST
10	10	14-040105-040	SCREW, 4-40 X 1/4 PPHMS BLACK OXIDE FINISH
9	11	14-04028C-04D	SCREW, 4-40 X 1/4 TXPH TAPTITE SS 18-8 BLK
1	12	11-288296-007	COVER, UPPER 8 & 10 '17 EXPLORER BLACK INNER EDGE RST
2	13	21-11091202-0	GROMMET, 3/8"
1	14	11-288297-007	COVER, LOWER 8 & 10 '17 EXPLORER BLACK INNER EDGE RST
6	15	14-08228C-06D	SCREW, 8-32 X 3/8" PAN TORX H ROLOK SS BLACK OXIDE



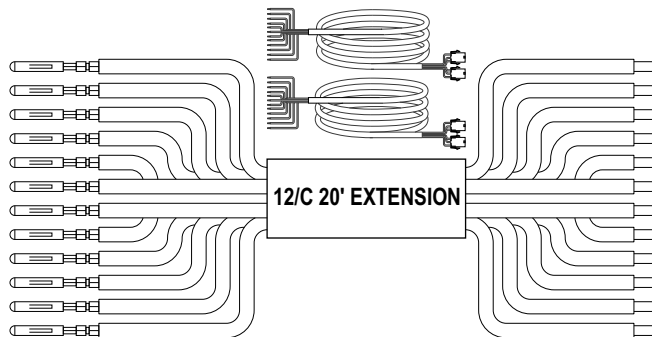
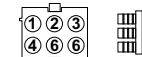
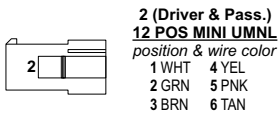
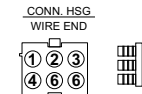
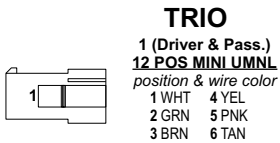
**SOLO WIRE FUNCTIONS**

- RED (+) } LAMPS 1 & 6
- BLK (-) } LAMPS 1 & 6
- ORG (+) } LAMPS 2 & 5
- BLU (-) } LAMPS 2 & 5
- WHT (+) } LAMPS 3 & 4
- GRN (-) } LAMPS 3 & 4



**DUO WIRE FUNCTIONS**

- WHT/BLK --- Color 1 (+) } LAMPS 1 & 6
- WHT --- Color 2 (+) } LAMPS 1 & 6
- GRN --- Colors 1&2 (-) } LAMPS 2 & 5
- YEL --- Color 1 (+) } LAMPS 2 & 5
- VIO --- Color 2 (+) } LAMPS 2 & 5
- GRY --- Colors 1&2 (-) } LAMPS 3 & 4
- ORG --- Color 1 (+) } LAMPS 3 & 4
- BLU --- Color 2 (+) } LAMPS 3 & 4
- BRN --- Colors 1&2 (-) } LAMPS 3 & 4



**TRIO WIRE FUNCTIONS**

- RED --- Color 1 (+) } LAMPS 1 & 6
- BLK --- Color 2 (+) } LAMPS 1 & 6
- WHT --- Color 3 (+) } LAMPS 1 & 6
- GRN --- Colors 1&2&3 (-) } LAMPS 2 & 5
- VIO --- Color 1 (+) } LAMPS 2 & 5
- GRY --- Color 2 (+) } LAMPS 2 & 5
- PNK --- Color 3 (+) } LAMPS 2 & 5
- TAN --- Colors 1&2&3 (-) } LAMPS 3 & 4
- ORG --- Color 1 (+) } LAMPS 3 & 4
- BLU --- Color 2 (+) } LAMPS 3 & 4
- BRN --- Color 3 (+) } LAMPS 3 & 4
- YEL --- Colors 1&2&3 (-) } LAMPS 3 & 4