

# WHELEN<sup>®</sup>

ENGINEERING COMPANY INC.

51 Winthrop Road,  
Chester, Connecticut 06412-0684  
Phone: (860) 526-9504  
Fax: (860) 526-4078

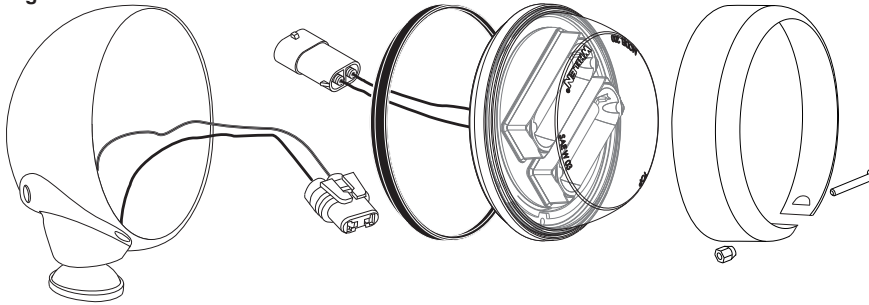
Installation Guide:  
Warning-Scene Light Replacement  
2009 - 2017 Harley-Davidson Auxiliary Lights  
Models: ROAD-KING<sup>®</sup> and ELECTRA GLIDE<sup>®</sup>

Internet: [www.whelen.com](http://www.whelen.com)  
Sales e-mail: [autosale@whelen.com](mailto:autosale@whelen.com)  
Canadian Sales e-mail: [canadiansales@whelen.com](mailto:canadiansales@whelen.com)  
Customer Service e-mail: [custserv@whelen.com](mailto:custserv@whelen.com)

### Installation:

1. Remove the existing auxiliary lights from the vehicle following factory guidelines.
2. Plug the connector from the vehicle into the connector on the Warning-Scene light, make sure the gasket is in place on the back of the light and install the Warning-Scene light into the housing (Fig. 1).
3. Find a good mounting location for the control box and secure the box using the supplied ty-wraps. Make sure all wires are properly dressed and will not interfere with the vehicle. Wire as shown on the next page.

Fig. 1



### Operation:

Turn the ignition switch on and the *Auxiliary Lights* will come on Steady White. Turn the *Emergency Warning Switch* on and the *Auxiliary Lights* will flash a RED/BLUE warning pattern. Turn the *Emergency Warning Switch* back off and lights will go back to Steady White.

©2017 Whelen Engineering Company Inc.  
Form No. 14B41A (100318)

For warranty information regarding this product, visit [www.whelen.com/warranty](http://www.whelen.com/warranty)

# WHELEN<sup>®</sup>

ENGINEERING COMPANY INC.

51 Winthrop Road,  
Chester, Connecticut 06412-0684  
Phone: (860) 526-9504  
Fax: (860) 526-4078

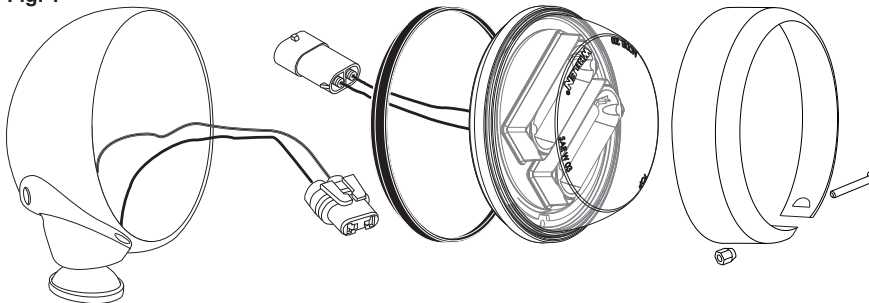
Installation Guide:  
Warning-Scene Light Replacement  
2009 - 2017 Harley-Davidson Auxiliary Lights  
Models: ROAD-KING<sup>®</sup> and ELECTRA GLIDE<sup>®</sup>

Internet: [www.whelen.com](http://www.whelen.com)  
Sales e-mail: [autosale@whelen.com](mailto:autosale@whelen.com)  
Canadian Sales e-mail: [canadiansales@whelen.com](mailto:canadiansales@whelen.com)  
Customer Service e-mail: [custserv@whelen.com](mailto:custserv@whelen.com)

### Installation:

1. Remove the existing auxiliary lights from the vehicle following factory guidelines.
2. Plug the connector from the vehicle into the connector on the Warning-Scene light, make sure the gasket is in place on the back of the light and install the Warning-Scene light into the housing (Fig. 1).
3. Find a good mounting location for the control box and secure the box using the supplied ty-wraps. Make sure all wires are properly dressed and will not interfere with the vehicle. Wire as shown on the next page.

Fig. 1



### Operation:

Turn the ignition switch on and the *Auxiliary Lights* will come on Steady White. Turn the *Emergency Warning Switch* on and the *Auxiliary Lights* will flash a RED/BLUE warning pattern. Turn the *Emergency Warning Switch* back off and lights will go back to Steady White.

©2017 Whelen Engineering Company Inc.  
Form No. 14B41A (100318)

For warranty information regarding this product, visit [www.whelen.com/warranty](http://www.whelen.com/warranty)

