

WHELEN[®]

ENGINEERING COMPANY INC.

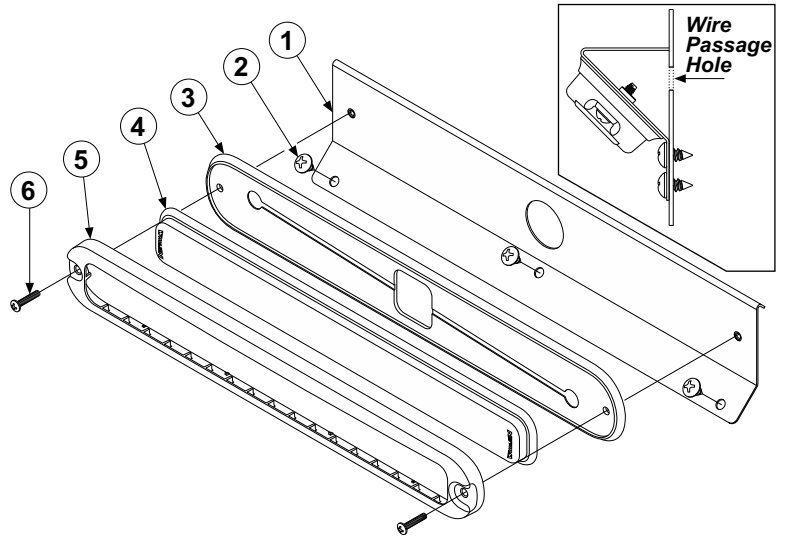
51 Winthrop Road,
Chester, Connecticut 06412-0684
Phone: (860) 526-9504
Fax: (860) 526-4078

Mounting Guide: Strip-Lite PLUS™ 45° Mounting Bracket

Internet: www.whelen.com
Sales e-mail: autosale@whelen.com
Canadian Sales e-mail: canadiansales@whelen.com
Customer Service e-mail: custserv@whelen.com

Mounting...

1. Position the bracket (1) against the proposed mounting surface so that the installed Strip Lite will be at a 45° angle. **Note Be sure no vehicle components or equipment will be damaged or compromised by the installation of this product.** Using the bracket as a template, mark the locations for the 3 mounting holes.
2. Drill a hole sized for a #10 sheet metal screw (2) at each of the marked locations. Drill a 1/2" wire passage hole 3/4" above the center mounting hole. Be sure to deburr this hole.
3. Secure the bracket to the mounting surface using the hardware provided (2). Assemble items 3, 4 & 5 as shown then route the Strip Lite wires through the bracket and wire passage hole. If necessary, waterproof this opening using RTV Silicone. Secure the assembly to the bracket using the #6 x 5/8 Phillips Pan Head machine screws provided (6).
4. Refer to the instructions included with your Strip Lite for wiring, fusing and operating information.



©2018 Whelen Engineering Company Inc.
Form No. 14B77 (051018)

For warranty information regarding this product, visit www.whelen.com/warranty

WHELEN[®]

ENGINEERING COMPANY INC.

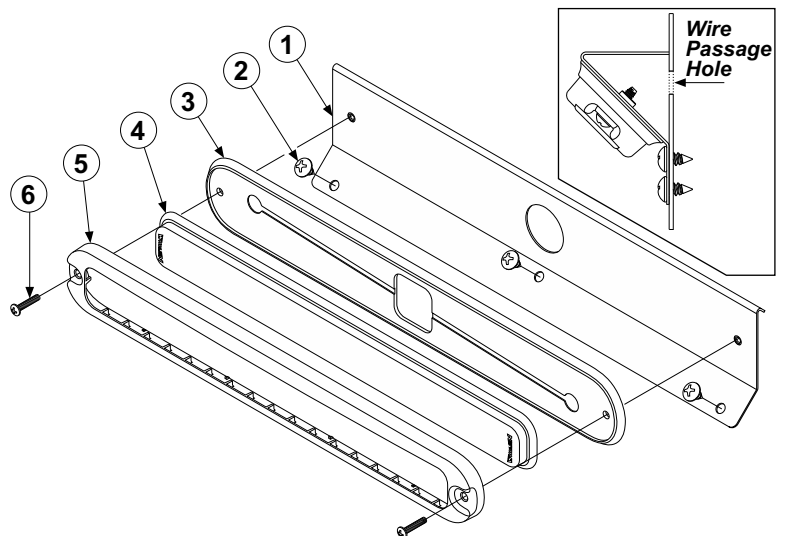
51 Winthrop Road,
Chester, Connecticut 06412-0684
Phone: (860) 526-9504
Fax: (860) 526-4078

Mounting Guide: Strip-Lite PLUS™ 45° Mounting Bracket

Internet: www.whelen.com
Sales e-mail: autosale@whelen.com
Canadian Sales e-mail: canadiansales@whelen.com
Customer Service e-mail: custserv@whelen.com

Mounting...

1. Position the bracket (1) against the proposed mounting surface so that the installed Strip Lite will be at a 45° angle. **Note Be sure no vehicle components or equipment will be damaged or compromised by the installation of this product.** Using the bracket as a template, mark the locations for the 3 mounting holes.
2. Drill a hole sized for a #10 sheet metal screw (2) at each of the marked locations. Drill a 1/2" wire passage hole 3/4" above the center mounting hole. Be sure to deburr this hole.
3. Secure the bracket to the mounting surface using the hardware provided (2). Assemble items 3, 4 & 5 as shown then route the Strip Lite wires through the bracket and wire passage hole. If necessary, waterproof this opening using RTV Silicone. Secure the assembly to the bracket using the #6 x 5/8 Phillips Pan Head machine screws provided (6).
4. Refer to the instructions included with your Strip Lite for wiring, fusing and operating information.



©2018 Whelen Engineering Company Inc.
Form No. 14B77 (051018)

For warranty information regarding this product, visit www.whelen.com/warranty